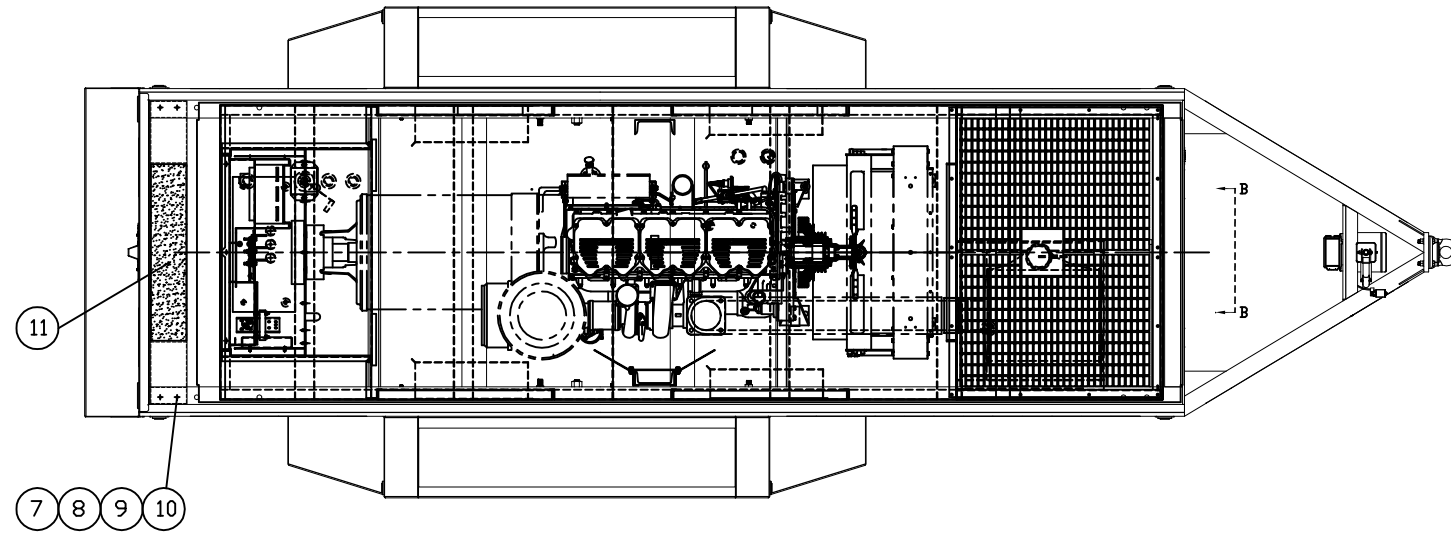
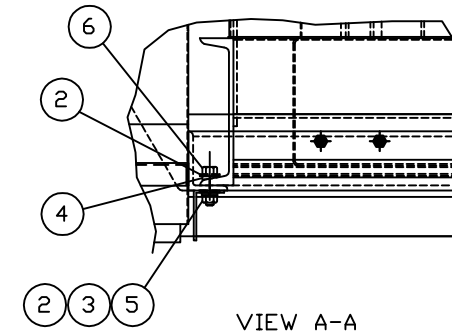


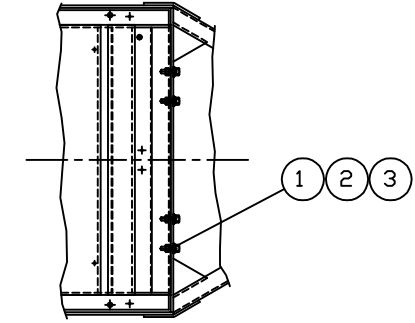
ITEM	QTY.	PART NUMBER	DESCRIPTION
1	4	1A-8063	BOLT (3/4"-10 X 2.50")
2	12	8T-4994	WASHER-HARD (3/4")
3	8	3B-4512	WASHER-LOCK (3/4")
4	4	33336	WASHER-BEVELED (3/4")
5	4	6V-8182	NUT (3/4"-10)
6	4	9X8887	BOLT (3/4"-10 X 3.00")
7	1	54F122	ANTI-SLIP PLATFORM
8	4	8T-2501	BOLT (3/8"-16 X 2.00")
9	8	8T-4896	FLAT WASHER (3/8")
10	4	3K-6060	NYLOCK LOCKNUT (3/8"-16)
11	6 FT.	SHUR-STEP	4" ANTI-SKID TAPE (2 @ 36")



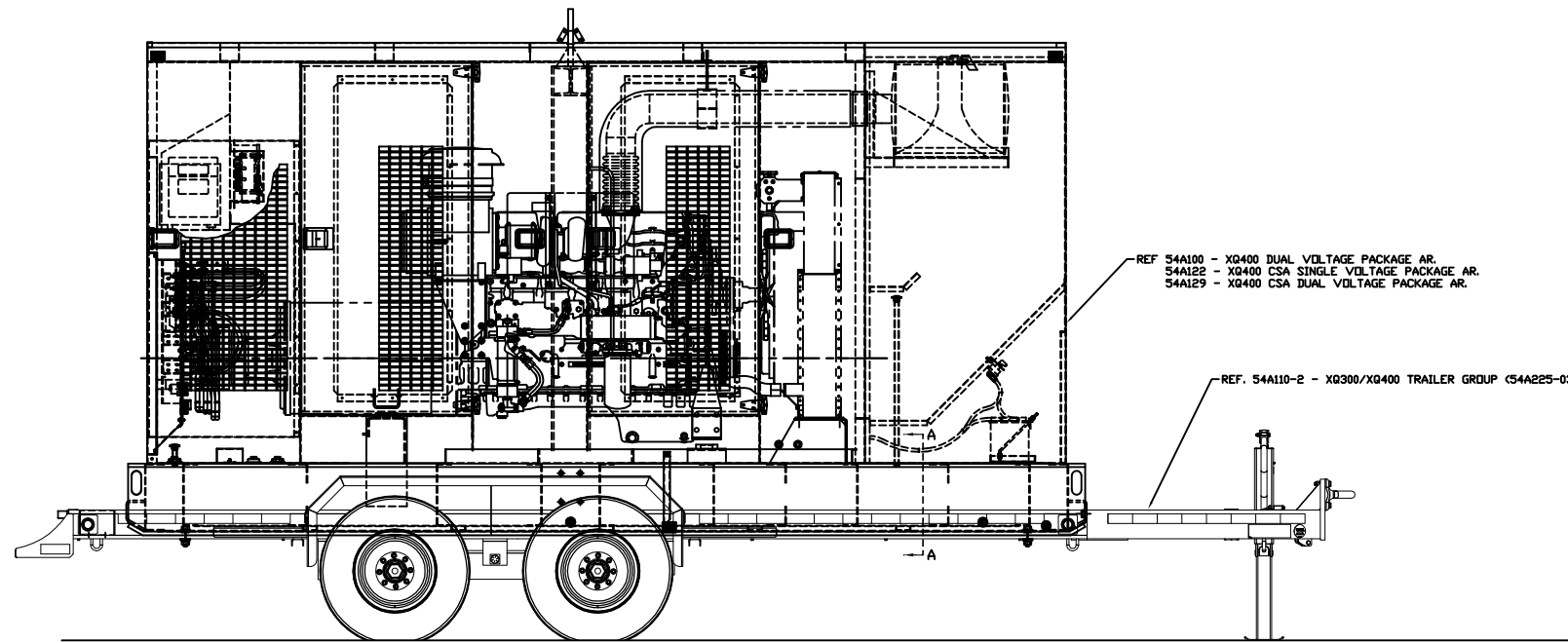
TOP VIEW



VIEW A-A
SCALE=2X



VIEW B-B



RIGHT SIDE VIEW

REF 54A100 - XQ400 DUAL VOLTAGE PACKAGE AR.
54A122 - XQ400 CSA SINGLE VOLTAGE PACKAGE AR.
54A129 - XQ400 CSA DUAL VOLTAGE PACKAGE AR.

REF. 54A110-2 - XQ300/XQ400 TRAILER GROUP (54A225-03)

REV	DATE	DESCRIPTION	BY
1	01/03/2001	ADD SKID TAPE	ME
2	01/03/2001	UPDATE TRAILER & HW	ME
3	01/03/2001	UPDATE HARDWARE	ME
4	01/03/2001	CHANGE NOTICE	ME

ALTORFER		ALTORFER POWER SYSTEMS	
6315 W. FAUBER RD.		PHONE (309) 697-1234	
BARTONVILLE, IL 61807		FAX (309) 282-7546	
THIS DOCUMENT CONTAINS PROPRIETARY INFORMATION OF ALTORFER, INC. WITHOUT THE WRITTEN PERMISSION OF ALTORFER, INC. ANY COPYING OR OTHER USE EXCEPT THAT FOR WHICH IT WAS INTENDED IS PROHIBITED.			
FILE	DF/54A	PROJECT REFERENCE	XQ400 (3456) RENTAL UNIT
SCALE/SHEET SIZE	1=20/D	DRAWN BY	M. RANTA
TOLERANCES:	THIRD ANGLE PROJECTION	DATE	01/03/2001
X.X ± 0.100	1 OF 1	SHEET	1 OF 1
X.XX ± 0.050		TITLE	XQ400 (3456) TRAILER MOUNTING GROUP
X.XXX ± 0.005		QUOTE NUMBER	-
ANGULAR ± 1'		WORK ORDER NUMBER	-
		DRAWING NUMBER	54A117-03