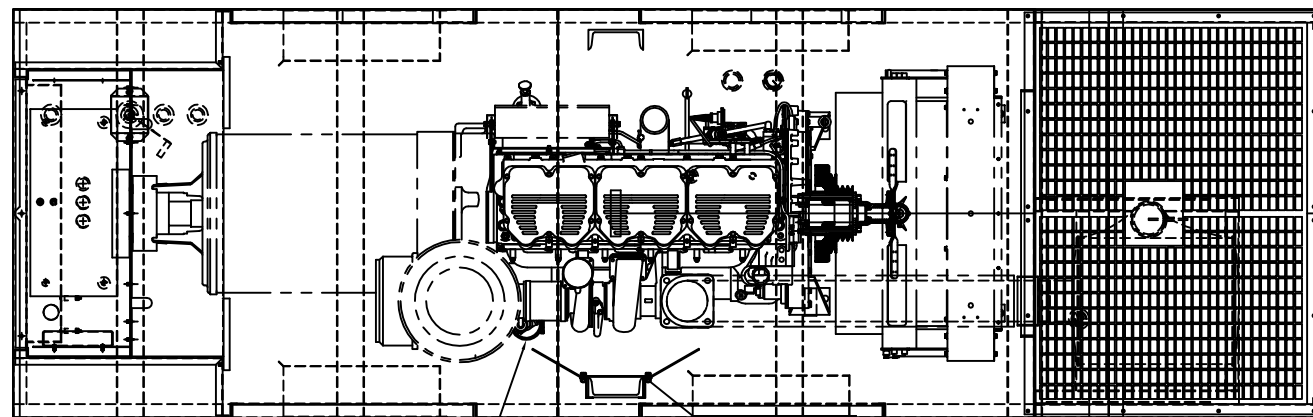


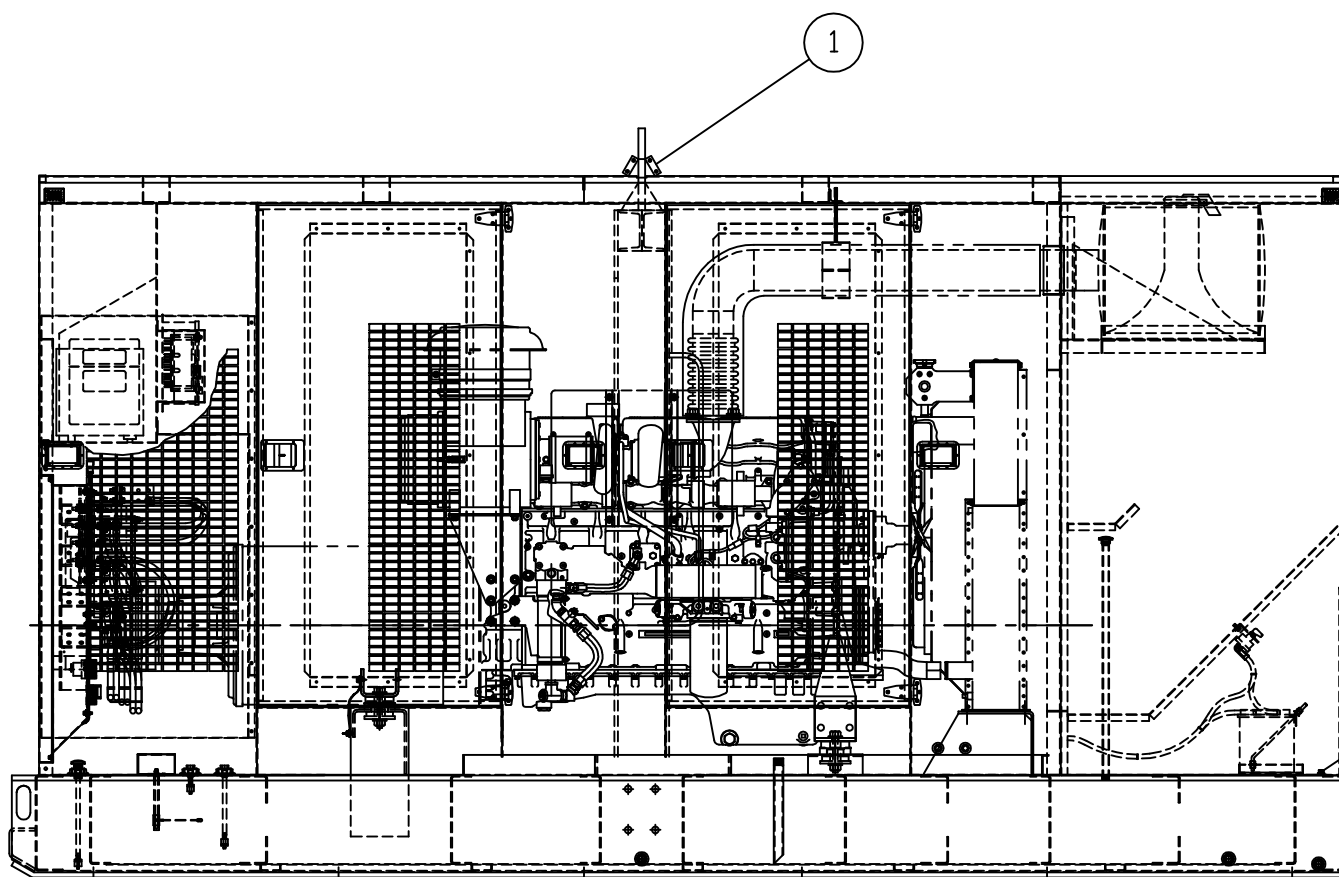
ITEM	QTY.	PART NUMBER	DESCRIPTION	WEIGHT
1	1	51C113	RAIN SKIRT	1
2	50'	8694K74	GASKET-NEOPRENE (2")	1
3	22	198-2970	NUT-FLANGE (3/8"-16)	1
4	36	5P-1075	WASHER-HARD 3/8" DS)	-
5	1	54C182	SOUND SHIELD	21
6	2	54C183	SHIELD BRACKET	3
7	4	345-8531	BOLT-FLANGE (3/8"-16 X 1")	-
TOTAL				27LBS.



REF. 203-5532  
ENG/GEN AR.

TOP VIEW

5 6 7

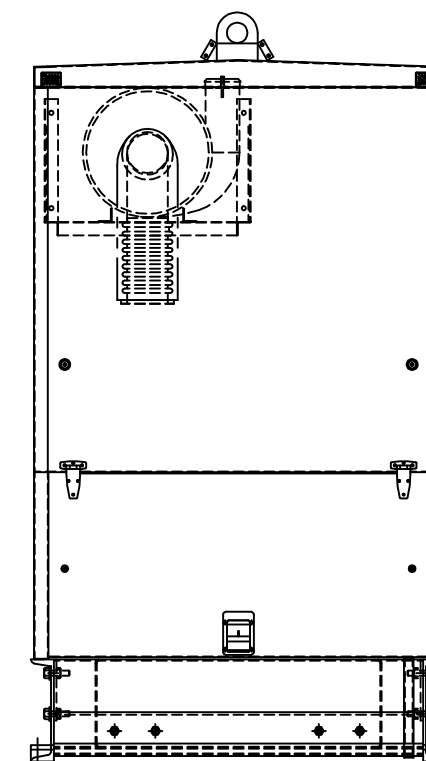


RIGHT SIDE VIEW

REF 54A106 DUAL VOLTAGE ENCL. GP.  
54A125 CSA SINGLE VOLTAGE ENCL. GP.  
54A130 CSA DUAL VOLTAGE ENCL. GP.

3 4

REF. 54A102  
BASE MTG GP.



FRONT VIEW

2

NOTE: TORQUE LIFT ARCH MOUNTING  
BOLTS TO 265 +/- 35 ft Lbs

<p>10/29/15 DATE BY</p>		<p><b>ALTORFER</b> <b>ALTORFER POWER SYSTEMS</b> 6315 W. FAUBER RD. PHONE (309) 697-1234 BARTONVILLE, IL 61607 FAX (309) 282-7546</p>	
<p>THIS DOCUMENT CONTAINS PROPRIETARY INFORMATION OF ALTORFER, INC. WITHOUT THE WRITTEN PERMISSION OF ALTORFER, INC., ANY COPYING OR OTHER USE EXCEPT THAT FOR WHICH IT WAS INTENDED IS PROHIBITED.</p>		<p>PROJECT REFERENCE XQ400 (3456) RENTAL UNIT</p>	
<p>ALL DIMENSIONS IN INCHES UNLESS OTHERWISE SPECIFIED</p>		<p>FILE DF/54A</p>	
<p>TOLERANCES: X.X ± 0.100 X.XX ± 0.060 X.XXX ± 0.005</p>		<p>SCALE/SHEET SIZE 1=20/C</p>	
<p>THIRD ANGLE PROJECTION</p>		<p>DRAWN BY M. RANTA</p>	
<p>ANGULAR ± 1°</p>		<p>DATE 12/20/2000</p>	
<p>CHANGE NOTICE</p>		<p>SHEET 1 OF 1</p>	
<p>UPDATE HARDWARE</p>		<p>WORK ORDER NUMBER -</p>	
<p>TITLE XQ400 (3456) ENCLOSURE MOUNTING GROUP</p>		<p>DRAWING NUMBER 54A116-01</p>	