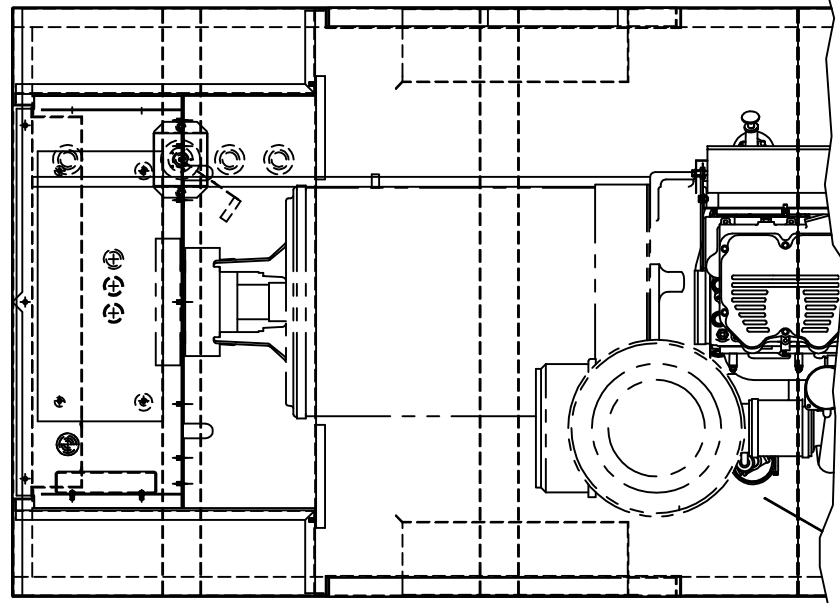
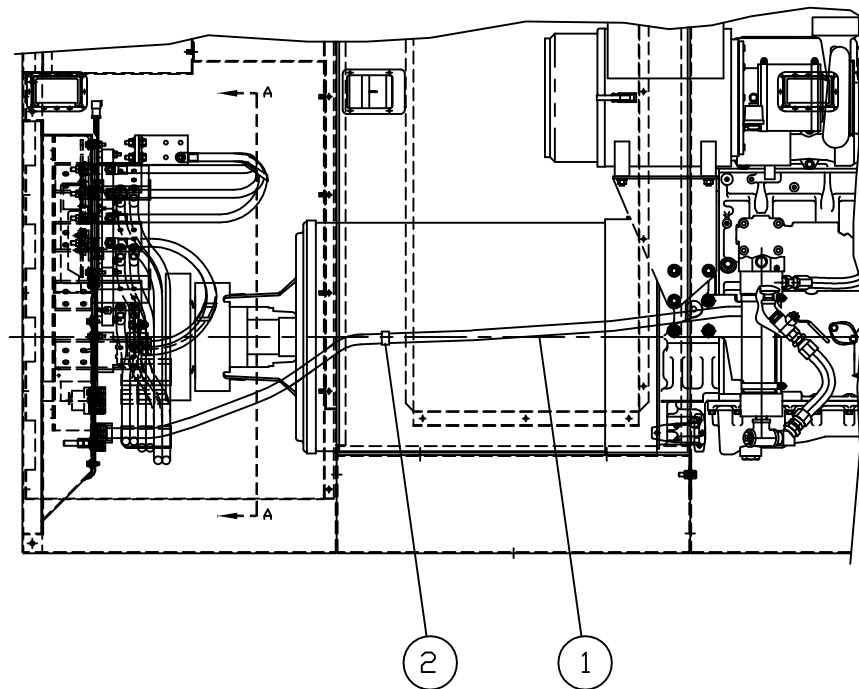


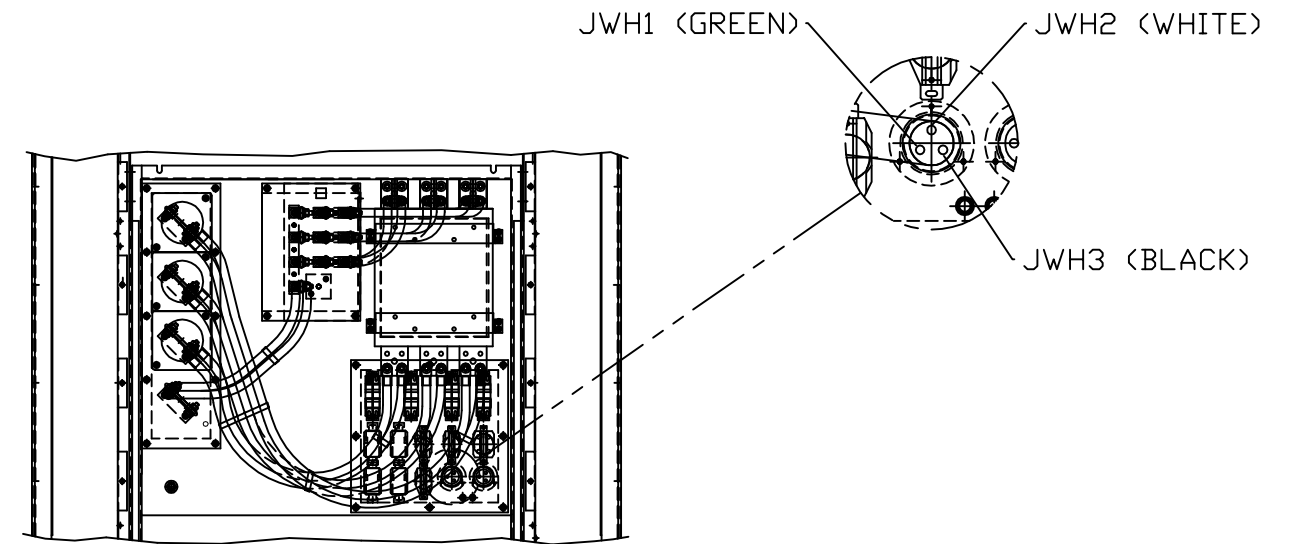
ITEM	QTY.	PART NUMBER	DESCRIPTION	WEIGHT
1	1	51E118-01	WIRING GROUP-JWH	1 Lbs
2	1	0708773	CLAMP-VINYL (5/8")	- Lbs
TOTAL				1 Lbs



TOP VIEW



RIGHT SIDE VIEW



VIEW A-A

10/28/15 D. ROLLING DATE	BY	<b>ALTORFER</b>			<b>ALTORFER POWER SYSTEMS</b>		
				6315 W. FAUBER RD. PHONE (309) 697-1234 BARTONVILLE, IL 61607 FAX (309) 282-7546			
UPDATE HARDWARE CHANGE NOTICE	NO.	THIS DOCUMENT CONTAINS PROPRIETARY INFORMATION OF ALTORFER, INC. WITHOUT THE WRITTEN PERMISSION OF ALTORFER, INC., ANY COPYING OR OTHER USE EXCEPT THAT FOR WHICH IT WAS INTENDED IS PROHIBITED					
		ALL DIMENSIONS IN INCHES UNLESS OTHERWISE SPECIFIED		FILE	PROJECT REFERENCE		
		TOLERANCES: X.X ± 0.100 X.XX ± 0.060 X.XXX ± 0.005		THIRD ANGLE PROJECTION	DF\54A	XQ400 (3456) RENTAL UNIT	
		ANGULAR ± 1°			SCALE/SHEET SIZE 1=10/D SHEET	DRAWN BY M. RANTA	QUOTE NUMBER -
		TITLE		1 OF 1		DATE 12/20/2000	WORK ORDER NUMBER -
2	1	DUAL VOLTAGE JACKET WATER HEATER WIRING GROUP			DRAWING NUMBER 54A113-01		