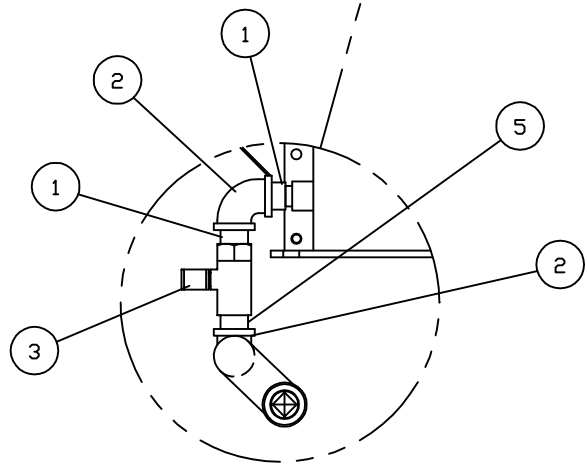
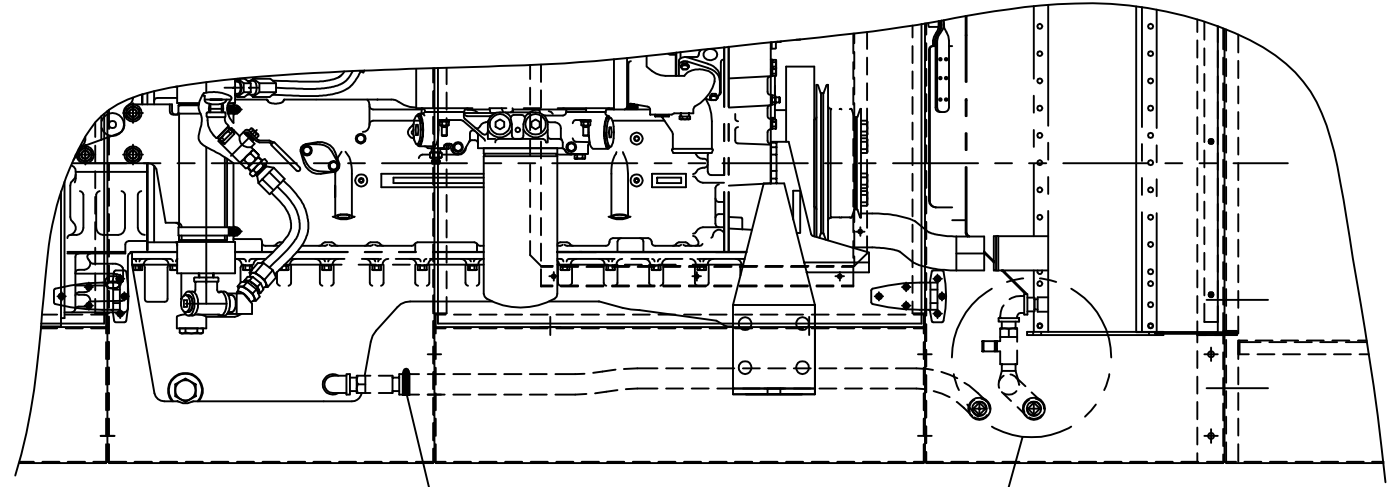
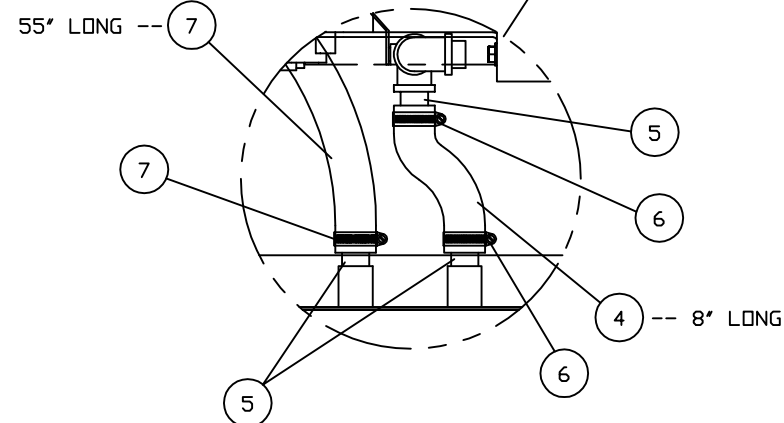
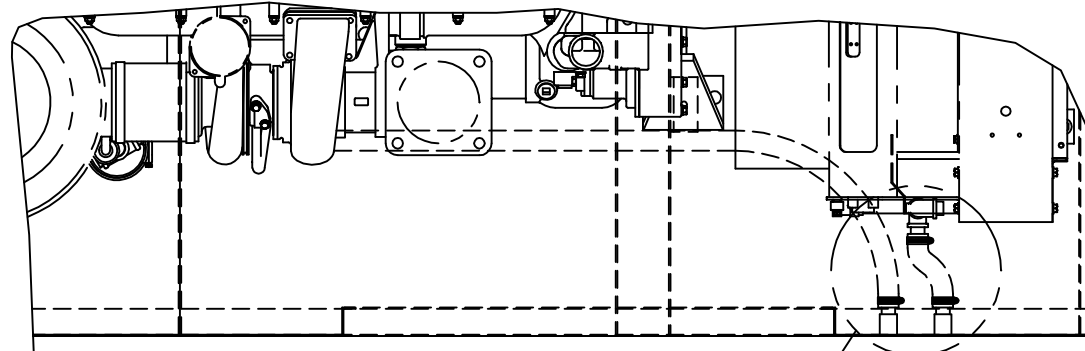


INCH 54A111-01



ITEM	QTY.	PART NUMBER	DESCRIPTION	WEIGHT
1	2	44615K415	NIPPLE-PIPE (3/4" CLOSE)	- Lbs
2	2	44605K115	ELBOW-PIPE (3/4" 90°)	1 Lbs
3	1	112-4036	VALVE-BALL (3/4")	1 Lbs
4	70'	RH114	HOSE-1-1/4" (RED WINGFOOT)	3 Lbs
5	4	8718	NIPPLE-PIPE (3/4" X 2")	- Lbs
6	4	2S-3440	CLAMP-HOSE (1-1/2")	- Lbs
TOTAL				6 Lbs

10/27/15 D. BOILING DATE	<b>ALTORFER</b>		<b>ALTORFER POWER SYSTEMS</b>	
			6315 W. FAUBER RD. PHONE (309) 697-1234 BARTONVILLE, IL 61607 FAX (309) 282-7546	
UPDATE HARDWARE CHANGE NOTICE NO.	THIS DOCUMENT CONTAINS PROPRIETARY INFORMATION OF ALTORFER, INC. WITHOUT THE WRITTEN PERMISSION OF ALTORFER, INC., ANY COPYING OR OTHER USE EXCEPT THAT FOR WHICH IT WAS INTENDED IS PROHIBITED		PROJECT REFERENCE	
	ALL DIMENSIONS IN INCHES UNLESS OTHERWISE SPECIFIED		FILE	XQ400 (3456) RENTAL UNIT
	TOLERANCES: X.X ± 0.100 X.XX ± 0.060 X.XXX ± 0.005	THIRD ANGLE PROJECTION	SCALE/SHEET SIZE 1=10/C	DRAWN BY M. RANTA
	ANGULAR ± 1'		SHEET 1 OF 1	DATE 08/30/2000
TITLE XQ400 (3456) WATER & OIL DRAINS GROUP			QUOTE NUMBER -	WORK ORDER NUMBER -
			DRAWING NUMBER 54A111-01	