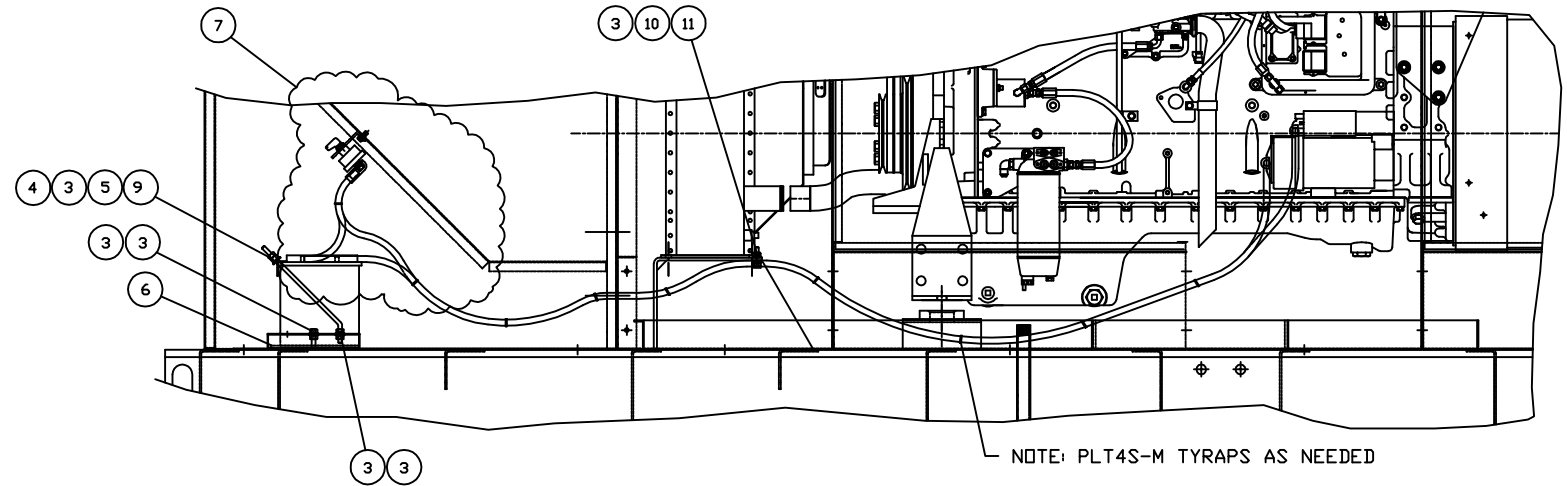
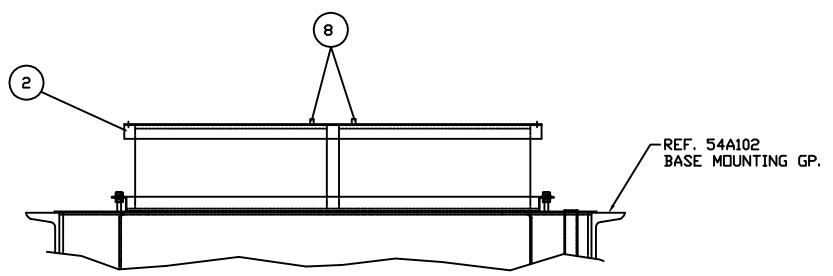
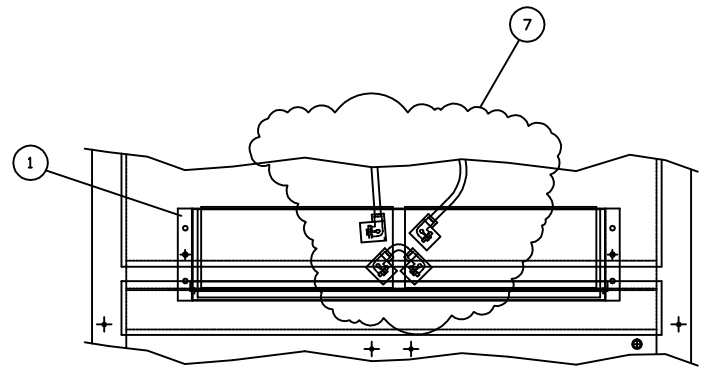


ITEM	QTY.	PART NUMBER	DESCRIPTION	WEIGHT
1	1	54E132	RACK-BATTERY (BLACK)	13
2	1	52C173	TIE DOWN-BATTERY (BLACK)	4
3	11	198-2970	NUT-FLANGE (3/8"-16)	-
4	2	8T-4896	WASHER-HARD (3/8")	-
5	2	6V-8801	NUT (3/8"-16)	-
6	1	BB12	BATTERY BOARD	3
7	1	54E170	BATTERY CABLE GROUP	15
8	2	153-5710	BATTERY-MF (8D)	80
9	2	HRACK ROD	ROD-BATTERY	-
10	1	345-8531	BOLT-FLANGE (3/8"-16 X 1")	-
11	2	0708785	CLAMP-VINYL (7/8")	-
TOTAL				115LBS.



NOTE: PLT4S-M TYRAPS AS NEEDED

DATE BY		ALTORFER		ALTORFER POWER SYSTEMS	
		6315 W. FAUBER RD. BARTONVILLE, IL 61607		PHONE (309) 697-1234 FAX (309) 282-7546	
THIS DOCUMENT CONTAINS PROPRIETARY INFORMATION OF ALTORFER, INC. WITHOUT THE WRITTEN PERMISSION OF ALTORFER, INC., ANY COPYING OR OTHER USE EXCEPT THAT FOR WHICH IT WAS INTENDED IS PROHIBITED					
CHANGE NOTICE	ALL DIMENSIONS IN INCHES UNLESS OTHERWISE SPECIFIED		FILE DF\54A	PROJECT REFERENCE XQ400RM 3456 RENTAL UNIT	
	TOLERANCES: X.X ± 0.100 X.XX ± 0.060 X.XXX ± 0.005	THIRD ANGLE PROJECTION	SCALE/SHEET SIZE 1=10/D	DRAWN BY D. ROLLING	QUOTE NUMBER -
	ANGULAR ± 1°		SHEET 1 OF 1	DATE 10/20/2015	WORK ORDER NUMBER -
	TITLE XQ400RM 3456 BATTERY MOUNTING GROUP				DRAWING NUMBER 54A107-RM