

ITEM	QTY.	PART No.	DESCRIPTION	WEIGHT
1	1	53C312	XQ300(3456) REMAN ENCLOSURE PARTS GP.	
2	1	54D20000/400	(3456) SOUND FDAM KIT INSTALLATION	
3	1	54C189	EXHAUST GROUP	
4	1	53A501	XQ300(3456) REMAN DV LOAD PAN MTG. GP.	
5	1	53A503	DV CONTROL PANEL MOUNTING GROUP	
6	1	54A109	VR3 VOLTAGE REGULATOR MOUNTING GROUP	
7	7	HOOK/LATCH	BLK PADLOCKABLE ENCLOSURE SLAM LATCH	
8	7	54D150	LATCH GASKET	
9	28	6C-3679	3/16" S.S. POP RIVET	
10	16	317-5797	DDOR HINGE GASKET	
11	16	317-5796	BLACK DOOR HINGE	
12	16	317-5798	HINGE GASKET - WALL	
13	96	317-5697	1/4"-20NC X 100" S.S. TAPER HEAD PHILLIPS SCREW	
14	64	3E-9865	1/4"-20NC S.S. NYLON LOCK NUT	
15	46	224-6797	1/4" S.S. WASHER-FLAT	
16	48	6V-8185	1/4"-20NC NUT	
17	120	317-5698	1/4" S.S. WASHER-LOCK	
18	108	317-5700	1/4" S.S. NEOPRENE BACKED FLAT WASHER	
19	4	5W-1943	DOOR KEEP ROD STORAGE CLIP	
20	4	XGRRD	DOOR KEEP ROD GROUP	
21	4	37405	#6-32 KEPS LOCK NUT	
22	4	33070	#6 FLAT WASHER	
23	8	0183807	LICENSE PLATE PLASTIC SCREW	
24	4	7K-3435	#6-32 X 0.50" S.S. SCREW	
25	12	94709A516	3/8" S.S. NEOPRENE BACKED FLAT WASHER	
26	4	71067	3/8" S.S. LOCK WASHER	
27	4	70732	3/8"-24NF S.S. NUT	
28	64	0126271	1/8" S.S. POP RIVET	
29	8	T502HNDL	BLACK GRAB HANDLE	
30	8	54D149	GRAB HANDLE GASKET	
31	81	345-8531	3/8"-16NC WHIZ LOCK BOLT	
32	87	198-2970	3/8"-16NC WHIZ LOCK NUT	
33	4	3P-9554	RUBBER DOOR ROD KEEP GROMMET	
34	6	FT207	3/4" WHITE NYLON HOLE PLUG	
35	205	STICKERTITE	3/4"V X 1/8"THK BLK SELF ADHESIVE NEOPRENE FDAM GSKT	
36	31	149-2148	1/4"-20NC X 100" S.S. BOLT	
37	4	54C180	ROOF FDAM SUPPORT	
38	2	1M12-18229	3/4" BRASS PIPE ADAPTOR	
39	2	147-2442	BARBED FITTING 3/4"NPT-5/8" HDSE	
40	2	69908	3/4" BRASS HEX PLUG	
41	5	9R-8537	DOOR KEEP SOCKET	
42	5	9R-8538	DOOR KEEP PLUNGER	
43	7	T114R	RED MARKER LIGHT	
44	4	T114A	AMBER MARKER LIGHT	
45	1	4W-9908	EXTERIOR EMERGENCY STOP BUTTON ASSY.	
46	72	AS 990	WINDOW GROMMET	
47	40	1120A213	BLACK DOOR GASKETING	
48	2	54D151	FLAP - LOAD DOOR	
49	8	0184617	LICENSE PLATE PLASTIC NUT	
50	5	8T-4971	M6-30 X 2.00" S.S. METRIC BOLT	
51	1	52C178	CONTROL COVER	
52	5	033-8755	1/4"-20NC X 100" S.S. PHILLIPS TRUSS HEAD SCREW	
53	1	52A104	LOAD DOOR MOUNTING GROUP	
54	1	STOP-ROD	EMERGENCY STOP ROD	
55	85	D-2685	WHITE 3/8"V SELF ADHESIVE DOOR GASKETING	
56	1	MBC19	BATTERY CHARGER	
57	4	5S-7349	1/4"-20NC X 0.50" S.S. BOLT	
58	4	104-6454	1/4"-20NC SHOCK MOUNTS	
59	5	5C-2890	M6-30 S.S. NUT	
60	54.5	8451A63	TRIMLOCK	
61	1	52C176	CATCH - BATTERY DOOR	
62	30	109-0147	1/4"-20NC SELF TAPPING SCREW	
63	2	70003	1/4"-20NC X 0.75" S.S. BOLT	
64	1	114-8821	BATTERY SWITCH ON/OFF LABEL	
65	1	7N-0718	BATTERY SWITCH ASSEMBLY	
66	2	ECHA12	OZ BUSHING - MALE END	
67	2	ECHA242	OZ BUSHING - FEMALE END	
68	2	54C178	RUBBER DUCTING - SIDE	
69	11	B-589	MALE #16 BULLET CONNECTOR	
70	1	54E131	WIRE HARNESS ASSEMBLY	
71	2	54C179	RUBBER DUCTING - TOP/BOTTOM	
72	2	54C162	STRAP - SIDE	
73	2	54C161	STRAP - TOP/BOTTOM	

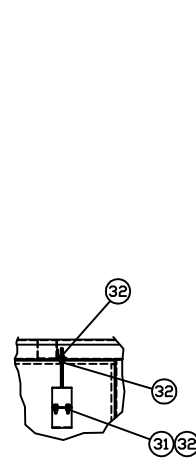
NOTE: DET. 48 MATERIAL SAME AS DET. 68 & 71 MATERIAL

DATE	
BY	
REVISION	
DESCRIPTION	
1E0507	IDENT
1E0011	INTPR & TOL
	MANUFACTURING SPECIFICATIONS

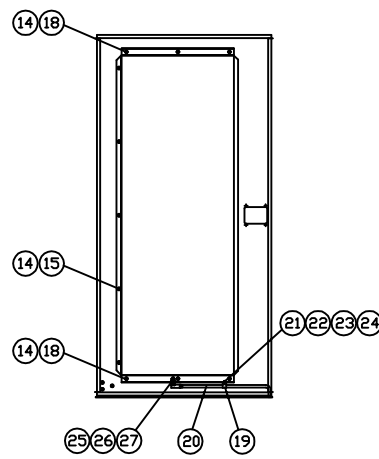
XQ300 DUAL VOLTAGE ENCLOSURE GROUP

NOTE A: 54C162 - STRAP - SIDE, 54C161 - STRAP - TOP/BOTTOM, & 52C176 - CATCH BATTERY DOOR ALL RECEIVED IN 53C100 - ENCLOSURE PARTS GP

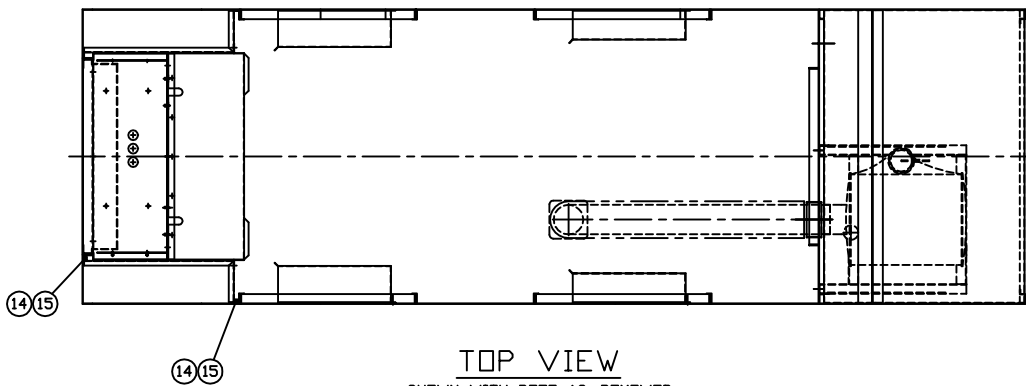
DATE		BY		REVISION		DESCRIPTION	
ALTORFER POWER SYSTEMS 8315 W. FAUBER RD. PHONE (309) 697-1234 BARTONVILLE, IL 61607 FAX (309) 282-7546				THIS DOCUMENT CONTAINS PROPRIETARY INFORMATION OF ALTORFER, INC. WITHOUT THE WRITTEN PERMISSION OF ALTORFER, INC. ANY COPYING OR OTHER USE EXCEPT THAT FOR WHICH IT WAS INTENDED IS PROHIBITED.			
CHANGE NOTICE ALL DIMENSIONS IN INCHES UNLESS OTHERWISE SPECIFIED TOLERANCES: 1/16" ± 0.005, 1/32" ± 0.001, 1/8" ± 0.003, 3/16" ± 0.003, ANGULAR ± 1°	FILE	PROJECT REFERENCE	SCALE/SHEET SIZE	DRAWN BY	ENGINEERING STATUS		
	DF/53A	XQ300 (3456) DV RENTAL UNIT	1=20/D	D. ROLING	PROTO PET PRD		
	SHEET	DATE	1 OF 2	01/25/2017	0 0 X		
	TITLE	DRAWING NUMBER					
XQ300 (3456) DV RENTAL PACKAGE ARRANGEMENT				53A500-A			



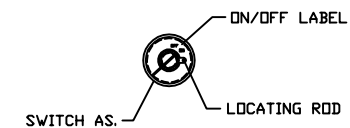
DETAIL G



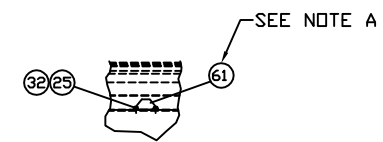
VIEW A-A
TYP. 2 PLACES



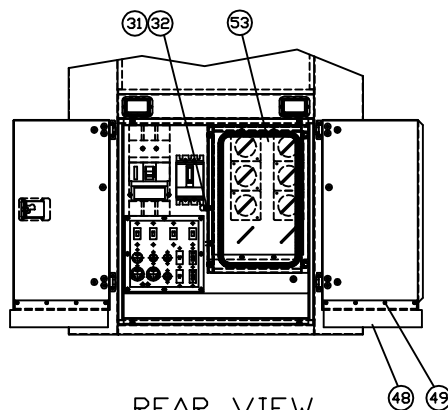
TOP VIEW
SHOWN WITH ROOF AS. REMOVED



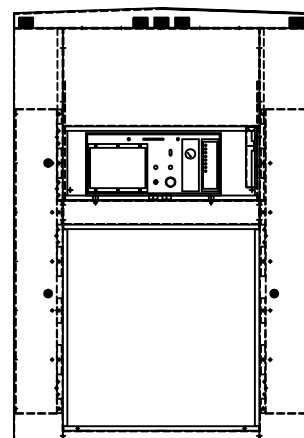
DETAIL H



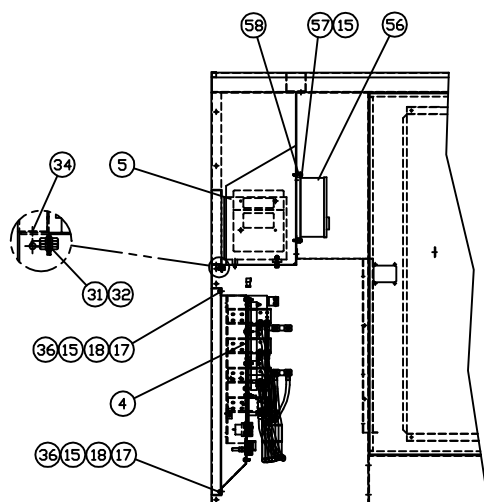
DETAIL C



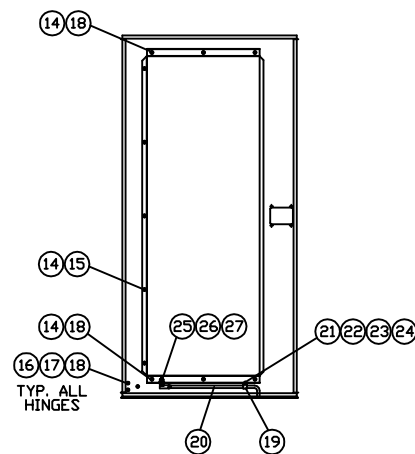
REAR VIEW
WITH LOAD DOORS OPEN



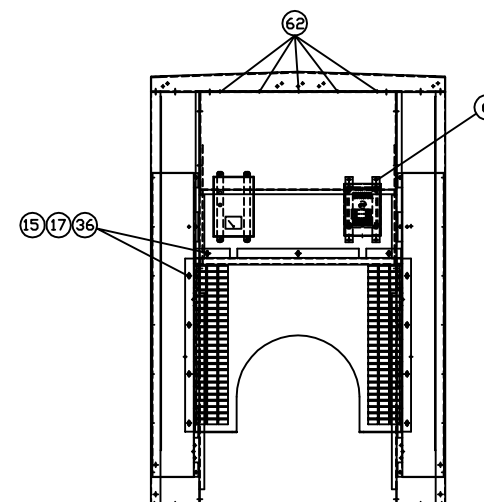
REAR VIEW
WITH LOAD DOORS & LOAD
PAN GROUP REMOVED



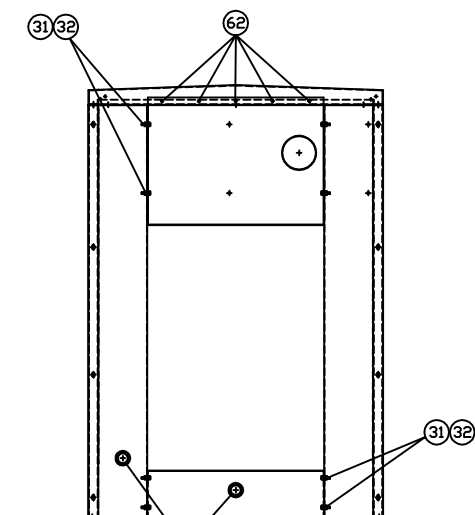
VIEW B-B



VIEW D-D
TYP. 2 PLACES



VIEW E-E



VIEW F-F

1E0507	IDENT	
1E0011	INTPR & TOL	
MANUFACTURING SPECIFICATIONS		

XQ300 DUAL VOLTAGE ENCLOSURE GROUP

		ALTORFER POWER SYSTEMS 6315 W. FAUBER RD. PHONE (309) 697-1234 BARTONVILLE, IL. 61607 FAX (309) 282-7546		
		<small>THIS DOCUMENT CONTAINS PROPRIETARY INFORMATION OF ALTORFER, INC. WITHOUT THE WRITTEN PERMISSION OF ALTORFER, INC., ANY COPYING OR OTHER USE EXCEPT THAT FOR WHICH IT WAS INTENDED IS PROHIBITED.</small>		
ALL DIMENSIONS IN INCHES UNLESS OTHERWISE SPECIFIED	FILE DF/53A	PROJECT REFERENCE XQ300 (3456) DV RENTAL UNIT		
	TOLERANCES: XXX ± 0.100 XXX ± 0.050 XXX ± 0.005 ANGULAR ± 1°	THIRD ANGLE PROJECTION	SCALE/SHEET SIZE 1=20/D SHEET 2 OF 2	DRAWN BY D. ROLING DATE 01/25/2017
	CHANGE NOTICE NO DATE BY DESCRIPTION	ENGINEERING STATUS PROTO 0 PET 0 PROD X	DRAWING NUMBER 53A500-B	
	TITLE XQ300 (3456) DV RENTAL PACKAGE ARRANGEMENT		DRAWING NUMBER 53A500-B	
	ALTORFER logo		ALTORFER POWER SYSTEMS	