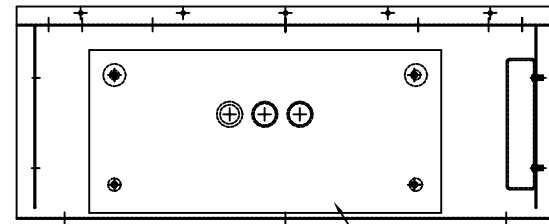
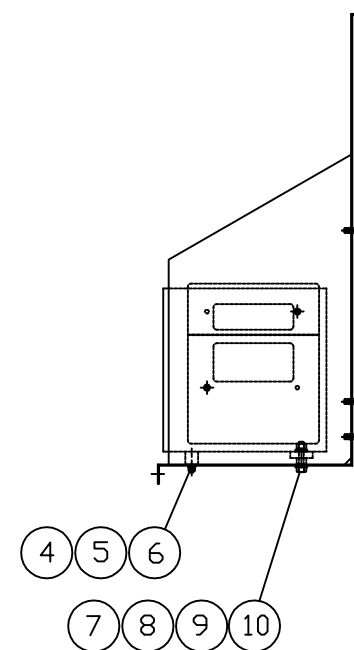
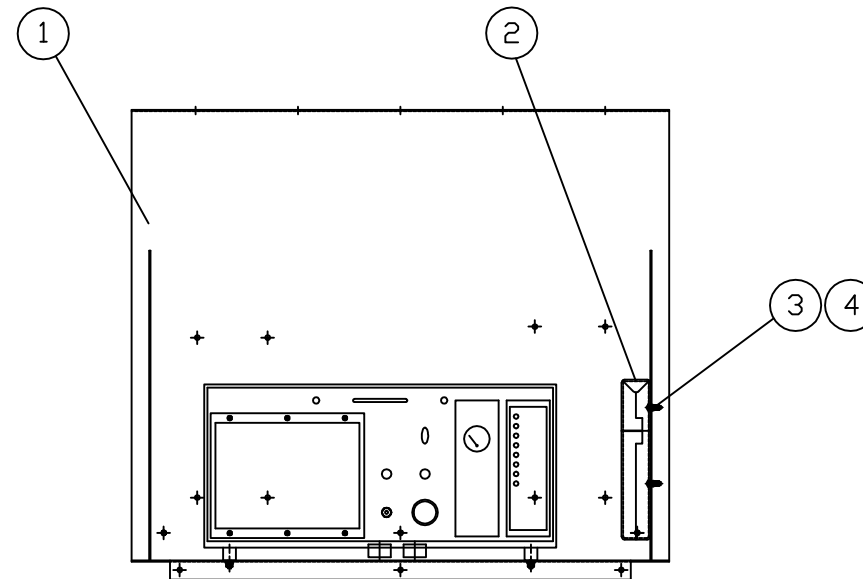


COMP	QTY	DESCRIPTION	WEIGHT
1	1	54C146 - CONTROL PANEL PAN AS.	90
2	1	5P-9796 - DOCUMENT BOX	1
3	2	71824 - 1/4-20NCx1 SCREW	1
4	4	33004 - 1/4" FLAT WASHER	-
5	2	71603 - 1/4" LOCK WASHER	-
6	2	36302 - 1/4-20NC NUT	-
7	2	13111 - 3/8-16x2 BOLT	-
8	4	33008 - 3/8" FLAT WASHER	-
9	2	71067 - 3/8" LOCK WASHER	-
10	2	36306 - 3/8-16NC NUT	-
TOTAL			92



SEE NOTE



NOTE : 195-8101 - DUAL VOLTAGE CONTROL PANEL  
 196-1961 - CSA CONTROL PANEL

### CONTROL PANEL MOUNTING GROUP



**ALTORFER POWER SYSTEMS**  
 #1 CAPITOL DRIVE P.O. BOX 2550 PH. 309-694-1234  
 EAST PEDRIA, IL. 61611-0550 FAX 309-694-1262



				JOB REF.		XQ RENTAL PKG	
				DRN BY		QUOTE NO.	
				M. RANTA			
				DATE		W/D NUMBER	
				06-12-00			
				SCALE		FILE	
				1=10		DF53	
NO.	DESCRIPTION OF CHANGE	BY	DATE	DRAWING NO.			
				SHEET 1 OF 1		53A101	
PROPRIETARY INFORMATION UNAUTHORIZED DUPLICATION PROHIBITED							