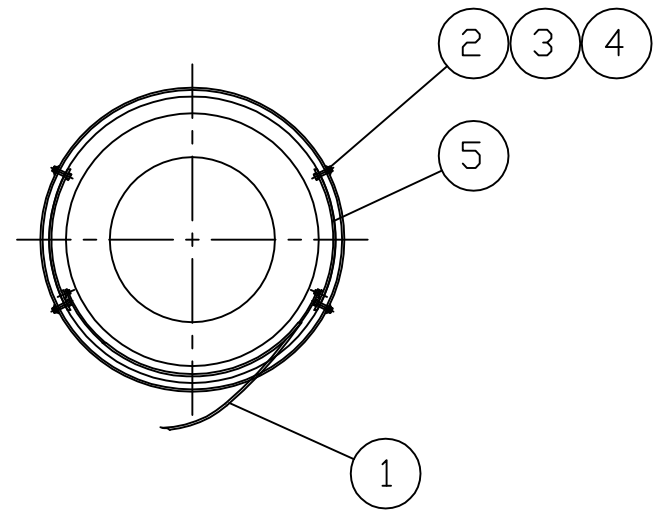
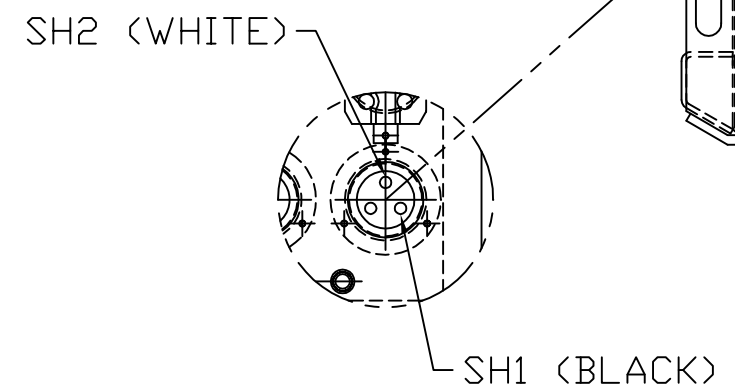
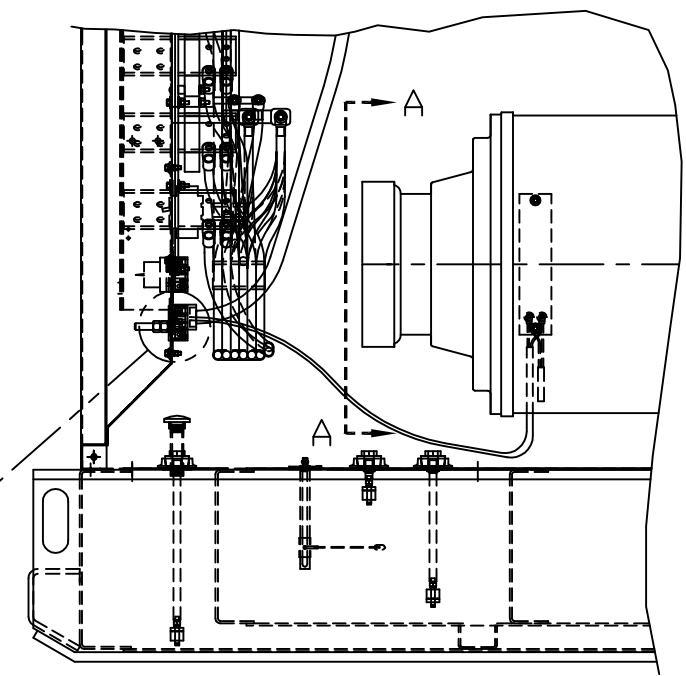


COMP	QTY	DESCRIPTION	WEIGHT
1	1	51E119-1 - S.H. WRNG HRNS	1
2	1	13055 - 5/16-18x1.0 BOLT	-
3	1	33006 - 5/16 FL WSHR	-
4	1	33620 - 5/16 LCK WSHR	-
5	2	4P-3829 - SAPCE HEATER	1

TOTAL 2



VIEW A-A



NOTE: TIE WRAP HARNESS TO MAIN LOAD CABLES AS NEEDED

DUAL VOLTAGE GENERATOR SPACE HEATER WIRING GROUP

ALTORFER PACKAGING		ALTORFER POWER SYSTEMS #1 CAPITOL DRIVE P.O. BOX 2550 PH. 309-694-1234 EAST PEDRIA, IL. 61611-0550 FAX 309-694-1262		ALTORFER PACKAGING	
JOB REF.			DRN BY		
			M. RANTA		QUOTE NO.
DATE			12-19-00		W/D NUMBER
SCALE			FILE		DRAWING NO.
1=10			DF51		
NO.	DESCRIPTION OF CHANGE	BY	DATE	SHEET 1 OF 1	
PROPRIETARY INFORMATION UNAUTHORIZED DUPLICATION PROHIBITED				51A112	