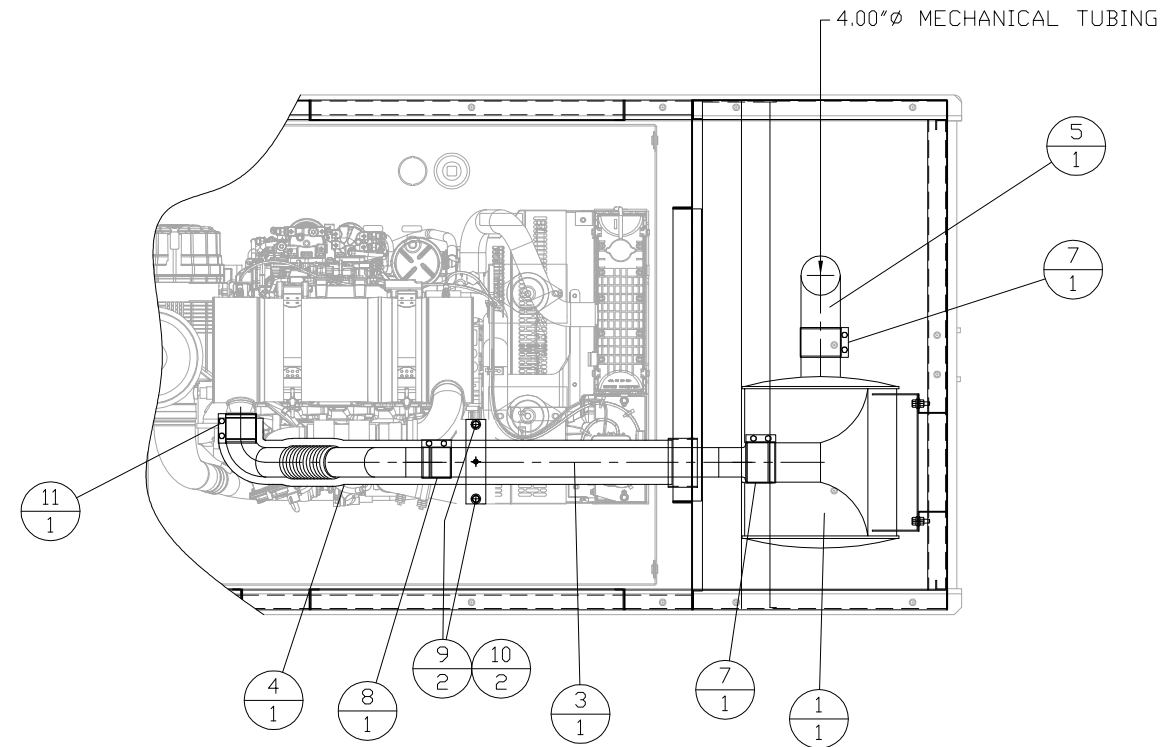
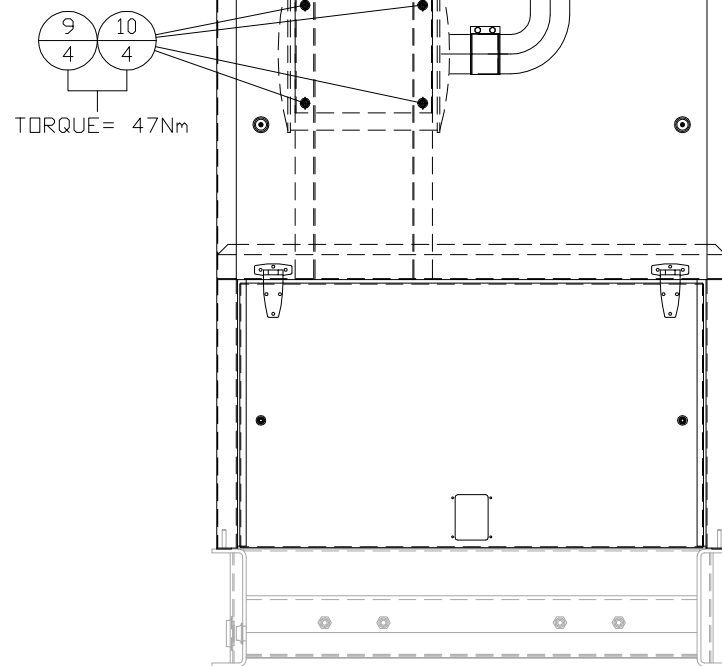
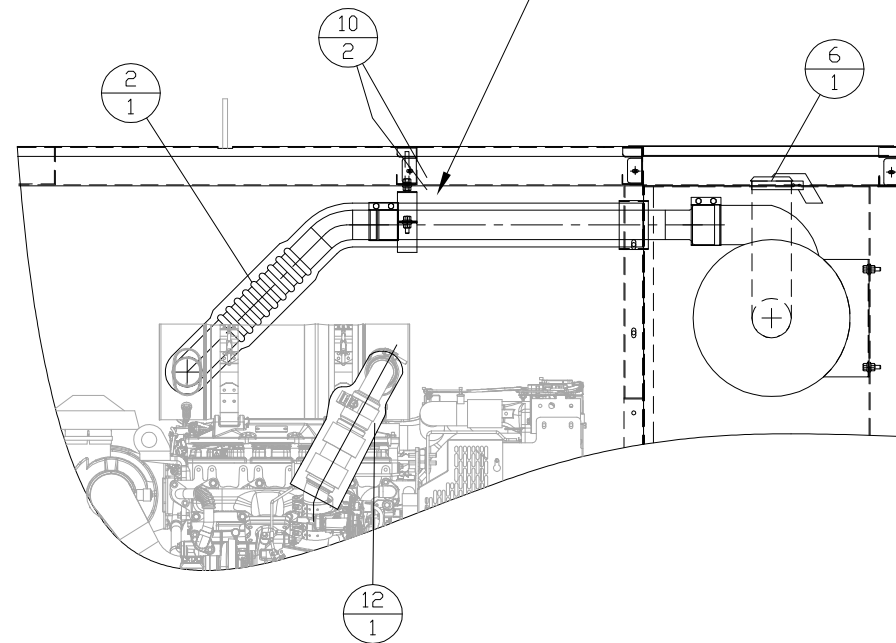


INCH 47A117-2



REF. (47C450 EXH. HANGER AS.) & (47C451 EXH. HANGER)
TO BE RECEIVED IN (47C500 ENCL. PARTS GP.)



ITEM	QTY.	PART No.	DESCRIPTION	WEIGHT
1	1	49C154	SILENCER ASSEMBLY	81
2	1	47C130	EXHAUST FLEX ASSEMBLY	10
3	1	47C131	EXHAUST STRAIGHT PIPE	9
4	1	47C132	EXHAUST BLANKET GROUP	15
5	1	49C147	EXHAUST ELBOW	4
6	1	49C148	4" EXHAUST RAIN CAP	2
7	2	610404	4" EXHAUST SEAL CLAMP	2
8	1	610403	3" EXHAUST SEAL CLAMP	1
9	6	345-8531	3/8"-16x1" WHIZLOCK BOLT	-
10	8	198-2970	3/8"-16 WHIZLOCK NUT	-
11	1	SSC-300Z	3" EXHAUST WIRE CLAMP	1
12	1	47C140	APS60 ENGINE TURBO - CEM BLANKET	1
TOTAL				125

06/13/14 BML/BAL	04/20/14 BML	DATE BY	ALTORFER		ALTORFER POWER SYSTEMS		
			6315 W. FAUBER RD. PHONE (309) 697-1234 BARTONVILLE, IL 61607 FAX (309) 282-7546				
THIS DOCUMENT CONTAINS PROPRIETARY INFORMATION OF ALTORFER, INC. WITHOUT THE WRITTEN PERMISSION OF ALTORFER, INC., ANY COPYING OR OTHER USE EXCEPT THAT FOR WHICH IT WAS INTENDED IS PROHIBITED							
2 UPDATED EXHAUST HANGER EXTENDED REDUCER 1.00"	1 ADDED SPRINGS EXTENDED STRAIGHT PIPE 1.00" EXTENDED BLANKET 3.50" & MADE 1 PIECE BML	CHANGE NOTICE	ALL DIMENSIONS IN INCHES UNLESS OTHERWISE SPECIFIED		FILE DF/47A	PROJECT REFERENCE APS60 RENTAL PACKAGE	
			TOLERANCES: X.X ± 0.100 X.XX ± 0.060 X.XXX ± 0.005	THIRD ANGLE PROJECTION	SCALE/SHEET SIZE 1=20/B	DRAWN BY BML	QUOTE NUMBER -
			ANGULAR ± 1°		SHEET 1 OF 1	DATE 09/20/13	WORK ORDER NUMBER -
TITLE APS60 EXHAUST MOUNTING GROUP					DRAWING NUMBER 47A117-2		