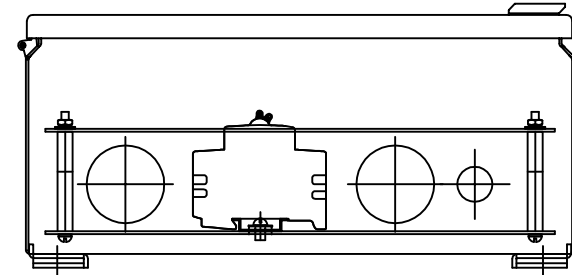
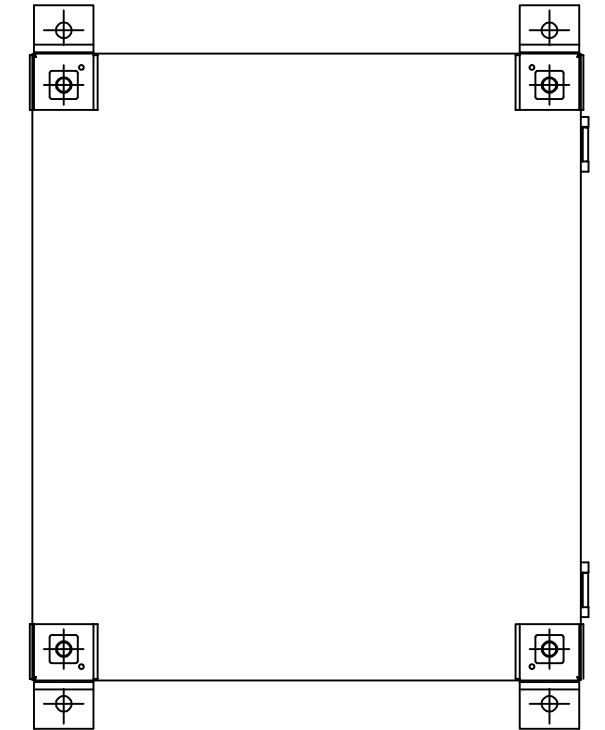
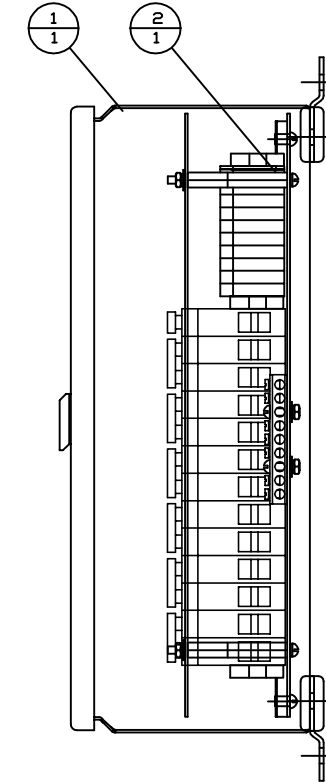
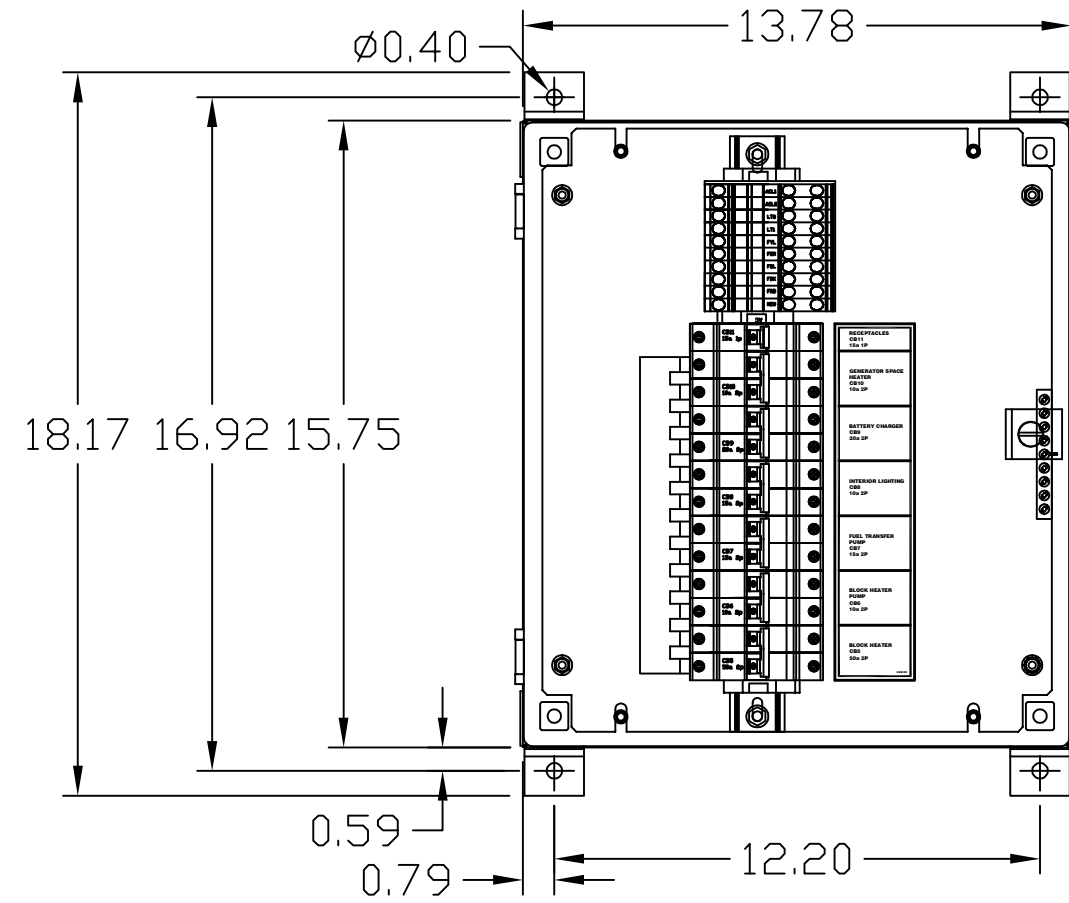
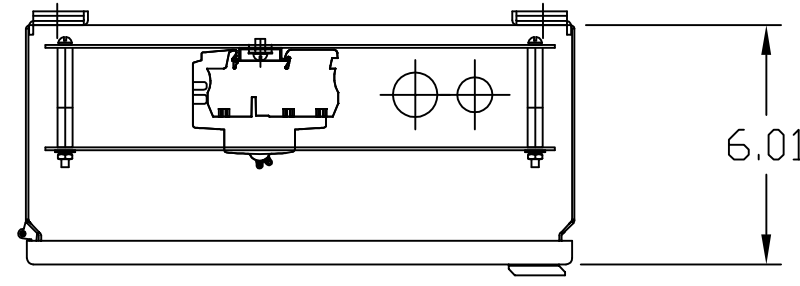


INCH 88E104

ITEM	QTY.	DESCRIPTION
1	1	88E125 SHORE POWER BOX GP
2	1	88E126 SHORE POWER TERMINAL STRIP GP



DATE BY				<b>ALTORFER POWER SYSTEMS</b> 6315 W. FAUBER RD.      PHONE (309) 697-1234 BARTONVILLE, IL 61607      FAX (309) 282-7546		
				THIS DOCUMENT CONTAINS PROPRIETARY INFORMATION OF ALTORFER, INC. WITHOUT THE WRITTEN PERMISSION OF ALTORFER, INC., ANY COPYING OR OTHER USE EXCEPT THAT FOR WHICH IT WAS INTENDED IS PROHIBITED.		
CHANGE NOTICE	NO.	ALL DIMENSIONS IN INCHES UNLESS OTHERWISE SPECIFIED		FILE	PROJECT REFERENCE	
				DF/88E	APS2000	
		TOLERANCES: XX ± 0.100 X.XX ± 0.060 X.XXX ± 0.005	THIRD ANGLE PROJECTION	SCALE/SHEET SIZE	DRAWN BY	QUOTE NUMBER
		ANGULAR ± 1°		1=5/B	D. RICHARDSON	0
		SHEET	DATE	WORK ORDER NUMBER		
		1 OF 1	1/14/2013	0		
TITLE					DRAWING NUMBER	
SHORE POWER DISTRIBUTION BOX					88E104	