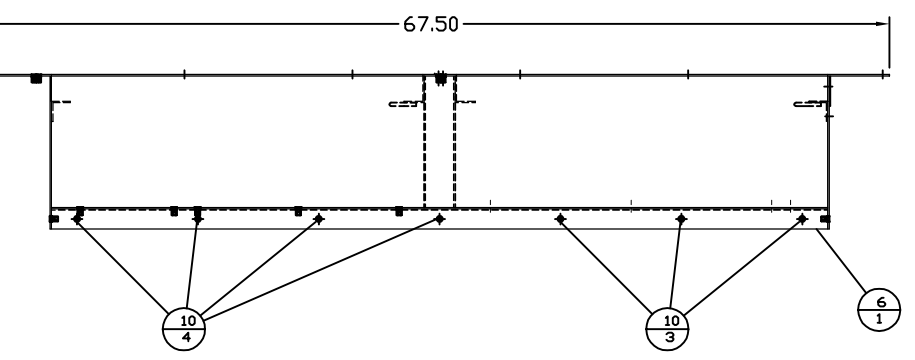
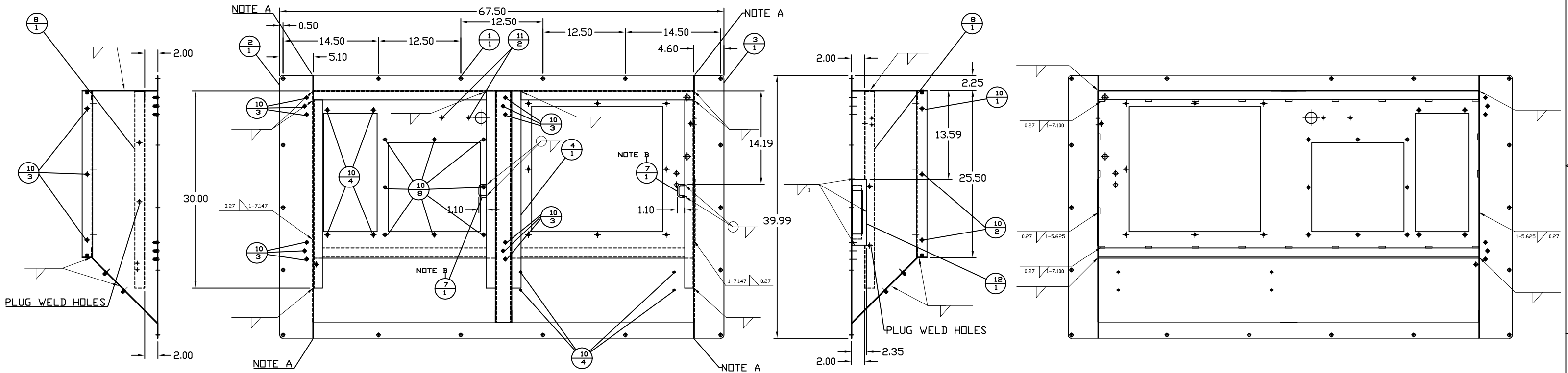
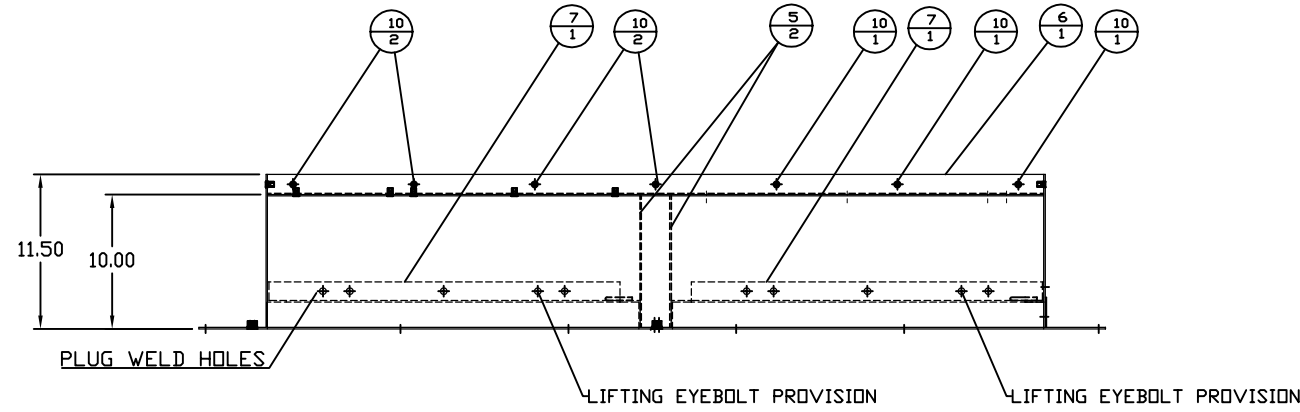


ITEM	QTY.	DESCRIPTION	WEIGHT
1	1	88E110 MAIN SHEET	94 Lbs
2	1	88E111 LEFT SIDE	20 Lbs
3	1	88E112 RIGHT SIDE	20 Lbs
4	1	88E113 CENTER	9 Lbs
5	2	88E114 DIVIDER	18 Lbs
6	2	88E115 ANGLE - TOP/BOTTOM	10 Lbs
7	2	88E116 ANGLE - TOP INTERIOR	4 Lbs
8	2	88E117 ANGLE - SIDE INTERIOR	6 Lbs
9	2	80E134 LOAD PAN DOOR CATCH	2 Lbs
10	48	AD97434 NUTSERT 1/4-20	- Lbs
11	2	94733 NUTSERT 10-32	- Lbs
12	1	88E118 MOUNT - DEAD BOLT	1 Lbs



NOTE A: GRIND WELDS FLUSH  
 NOTE B: LOAD PAN DOOR CATCH (80E134) TO BE WELDED ON THE BACKSIDE OF FRAME ASSEMBLY

5/10/15 BAL	2/4/14 DKR	3/4/13 DKR	DATE BY	<b>ALTORFER POWER SYSTEMS</b> 6315 W. FAUBER RD. BARTONVILLE, IL 61607 PHONE (309) 697-1234 FAX (309) 282-7546
ADDED WELD SYMBOLS	CHANGE ITEM 3	MOVE SAFETY SWITCH HOLE	CHANGE NOTICE	
THIS DOCUMENT CONTAINS PROPRIETARY INFORMATION OF ALTORFER, INC. WITHOUT THE WRITTEN PERMISSION OF ALTORFER, INC., ANY COPYING OR OTHER USE EXCEPT THAT FOR WHICH IT WAS INTENDED IS PROHIBITED				
ALL DIMENSIONS IN INCHES UNLESS OTHERWISE SPECIFIED		FILE DF/88E	PROJECT REFERENCE APS2000	
TOLERANCES: X.X ± 0.100 X.XX ± 0.060 X.XXX ± 0.005		THIRD ANGLE PROJECTION	SCALE/SHEET SIZE 1=15/B	DRAWN BY D. RICHARDSON
ANGULAR ± 1°			SHEET 1 OF 1	DATE 1/7/13
TITLE LOAD PAN AS.				QUOTE NUMBER 0 WORK ORDER NUMBER 0 DRAWING NUMBER 88E102-03