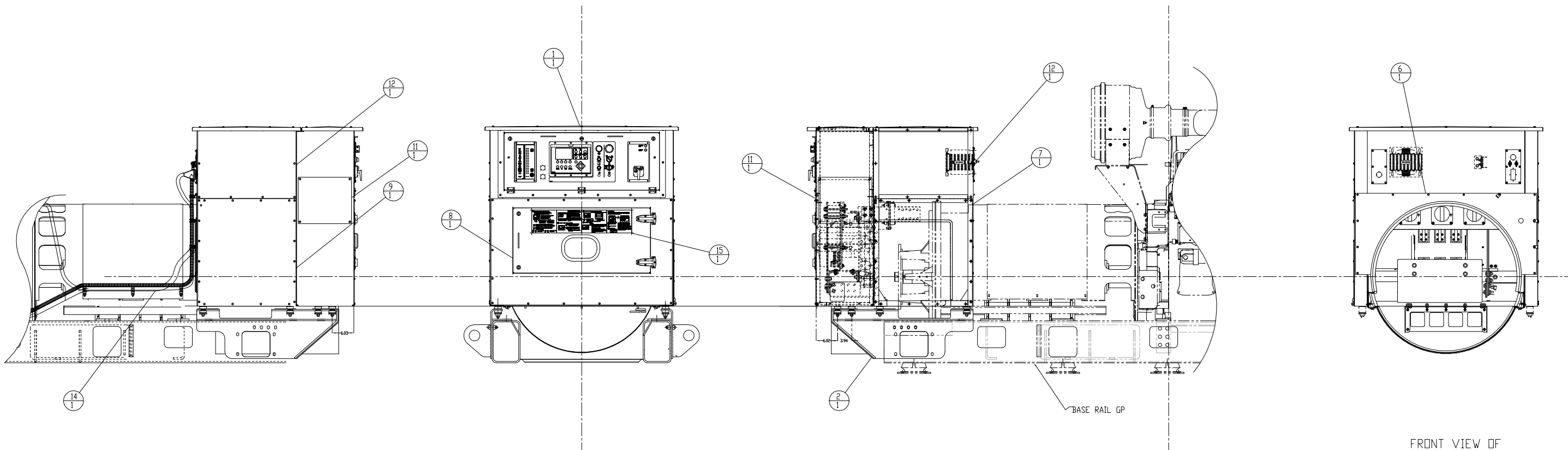
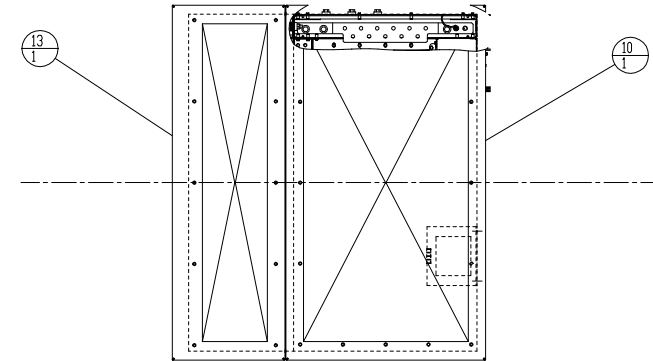


ITEM	QTY	UNIT	MEAS	PART NO.	NAME
PARTS LIST					
1	1			88E101	DOGHOUSE GP.
2	1			88E143	MOUNTING GP.
A 3	1			88E148	CABLE GP - CB TO LOAD BUS
A 4	1			88E149	CONNECTION GP - LOAD BUS
A 5	1			88E150	CONNECTION GP - CB
A 6	1			88E140	COVER GP - SCREEN
A 7	1			88E141	COVER GP - CURB SIDE
A 8	1			358-2816	COVER GP
A 9	1			357-1336	COVER GP
A 10	1			357-1368	COVER GP
A 11	2			357-1384	COVER GP
A 12	2			358-2795	COVER GP
A 13	1			362-6491	COVER GP
14	1			88E172	DOGHOUSE INTERFACE GP.
15	1			380-6868	FILM - QUICK START INFO



FRONT VIEW OF ENGINE

NOTE A: RESERVE INSTALLING UNTIL AFTER THE GENSET IS MERGED INTO THE CONTAINER

SHEET NO.	1	DATE			ALTORFER POWER SYSTEMS 6315 W. FAUBER RD. PHONE (309) 697-1234 BARTONVILLE, IL 61607 FAX (309) 282-7546	
	1		THIS DOCUMENT CONTAINS PROPRIETARY INFORMATION OF ALTORFER, INC. WITHOUT THE WRITTEN PERMISSION OF ALTORFER, INC., ANY COPYING OR OTHER USE EXCEPT THAT FOR WHICH IT WAS INTENDED IS PROHIBITED.		PROJECT REFERENCE APS2000	
CHANGE NOTICE	1	DATE	ALL DIMENSIONS IN INCHES UNLESS OTHERWISE SPECIFIED		FILE DF/88A	
	1		TOLERANCES: XX ± 0.100 XXX ± 0.050 XXXX ± 0.005		SCALE/SHEET SIZE 1-15/D SHEET 1 OF 1	
INCLUDE ITEM	15 - FILM	DATE	THIRD ANGLE PROJECTION		DRAWN BY D. RICHARDSON	
CHANGE NOTICE	1	DATE	ANGULAR ± 1°		QUOTE NUMBER 0	
TITLE	DOGHOUSE INSTALLATION GROUP	DATE	WORK ORDER NUMBER 0		DRAWING NUMBER 88A124-01	