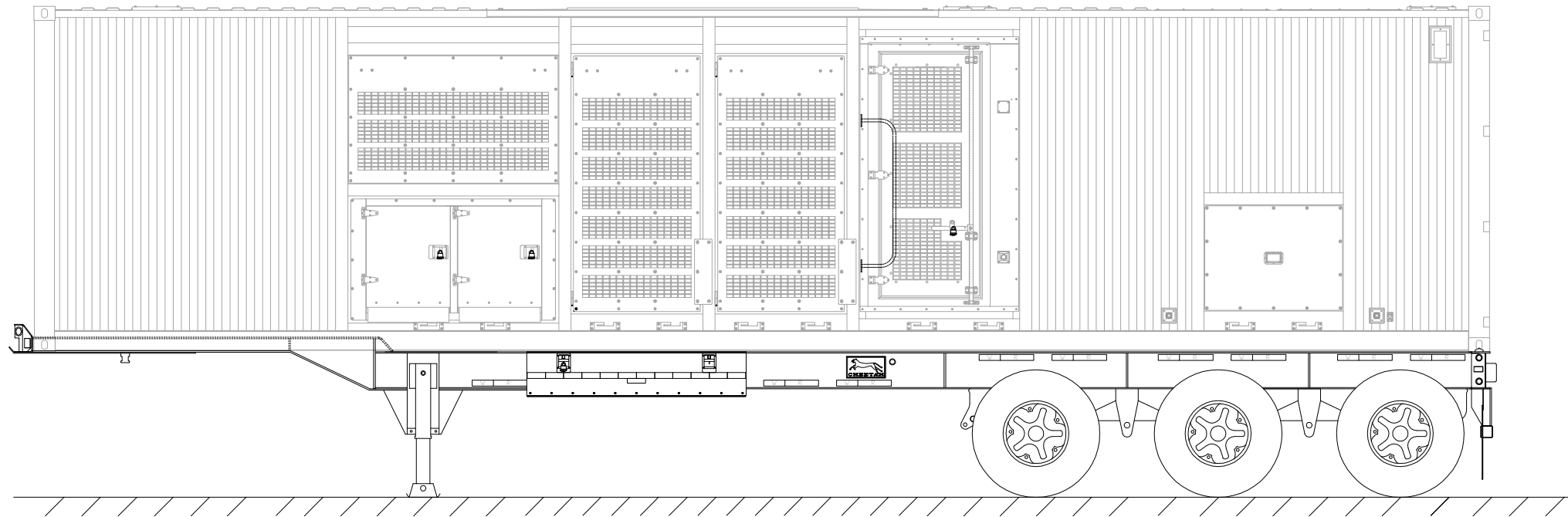
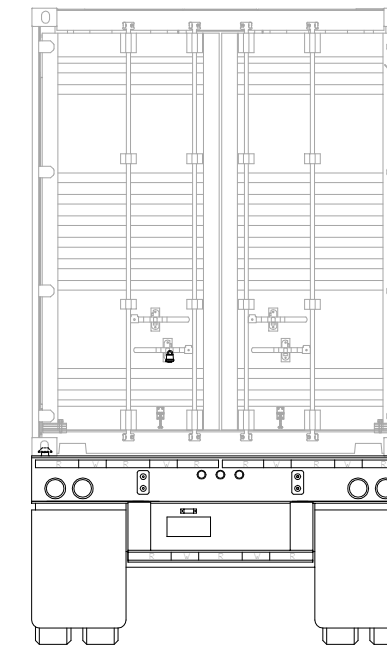


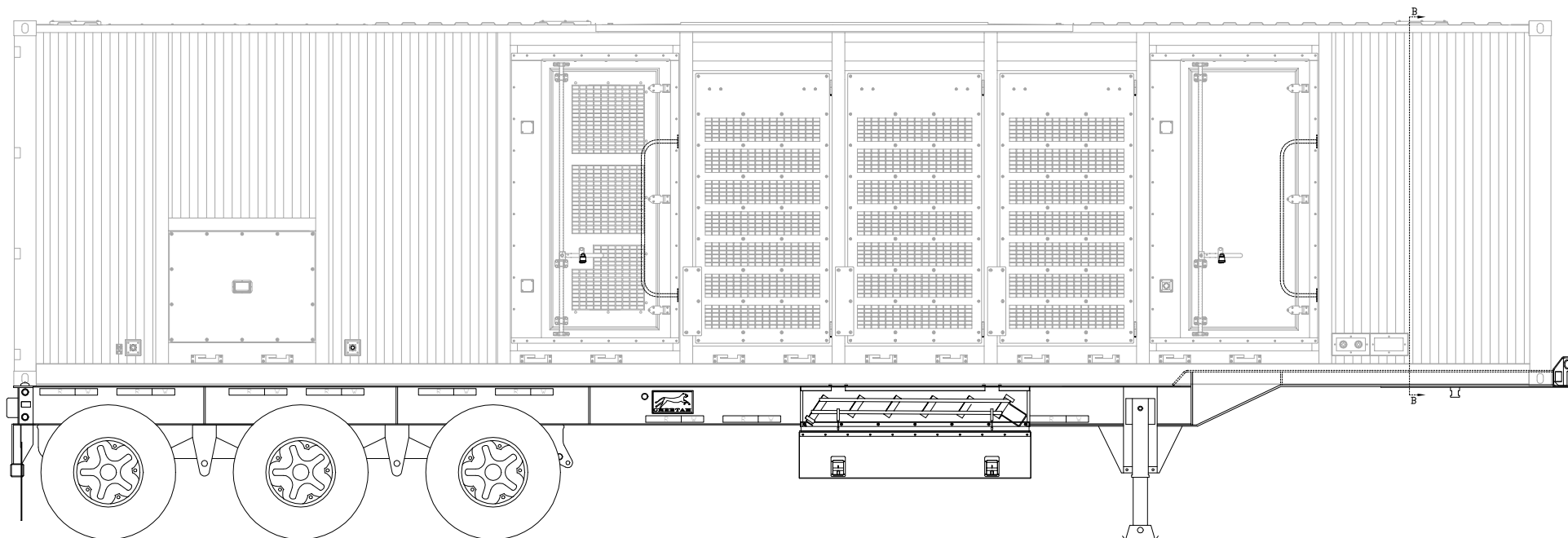
ITEM	QTY.	P/N	DESCRIPTION
1	1	88A130-MTG.	GP-ACCESS
2	1	88A131-LOCK	GP-TRAILER.
3	1	88A132-CHASSIS	GP.
4	1	57A242-STORAGE	GROUP-LADDER



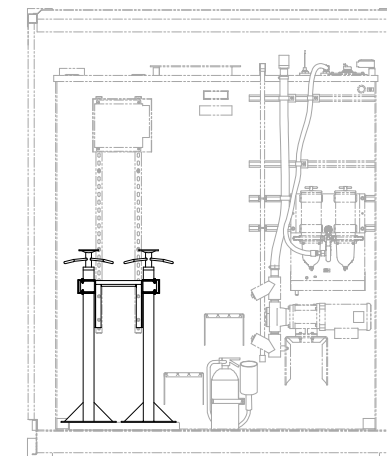
STREETSIDE VIEW



REAR VIEW



CURBSIDE VIEW



VIEW B-B

		ALTORFER POWER SYSTEMS 6315 W. FAUBER RD. PHONE (309) 697-1234 BARTONVILLE, IL 61607 FAX (309) 282-7546		
		THIS DOCUMENT CONTAINS PROPRIETARY INFORMATION OF ALTORFER, INC. WITHOUT THE WRITTEN PERMISSION OF ALTORFER, INC., ANY COPYING OR OTHER USE EXCEPT THAT FOR WHICH IT WAS INTENDED IS PROHIBITED.		
CHANGE NOTICE 1 NO.	ALL DIMENSIONS IN INCHES UNLESS OTHERWISE SPECIFIED	FILE DF/88A	PROJECT REFERENCE APS2000	
	TOLERANCES: X.X ± 0.100 X.XX ± 0.060 X.XXX ± 0.005	THIRD ANGLE PROJECTION	SCALE/SHEET SIZE 1=25/D	DRAWN BY JAM
	ANGULAR ± 1'		SHEET 1 OF 1	DATE 05-22-13
	TITLE TRANSPORT AR.-AIR RIDE			QUOTE NUMBER - WORK ORDER NUMBER - DRAWING NUMBER 88A118