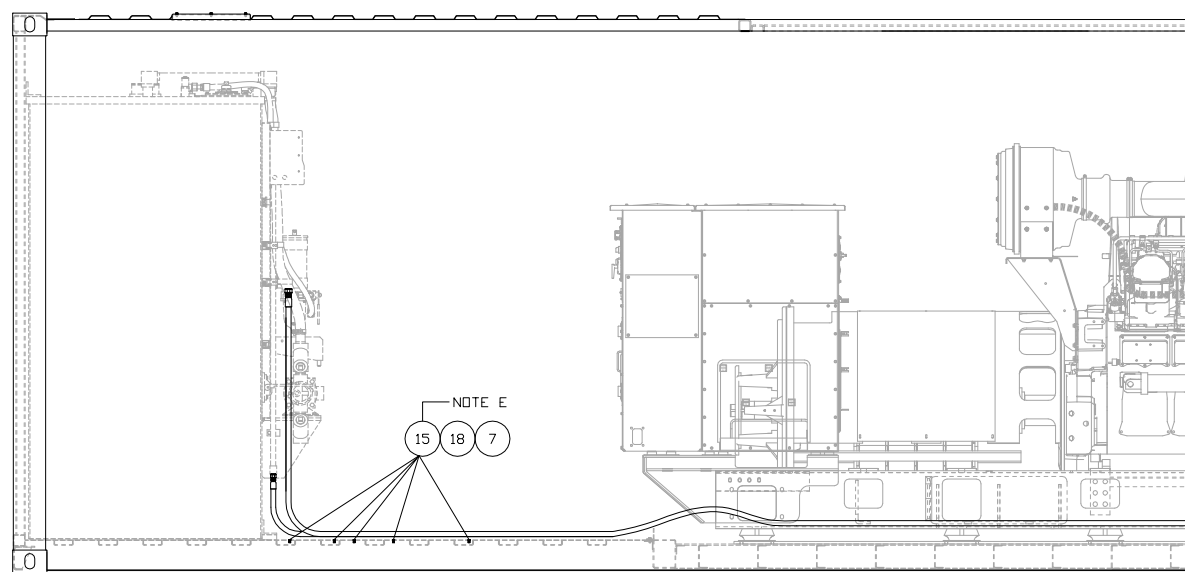
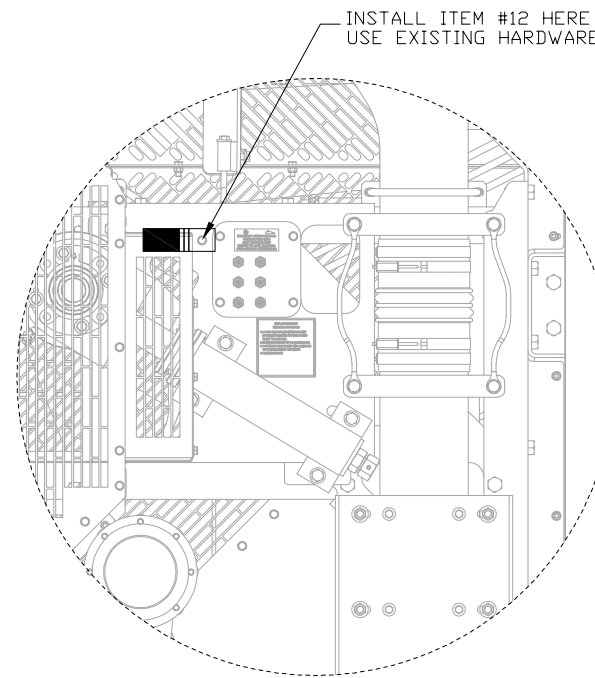


PARTIAL STREETSIDE VIEW (ENGINE FUEL LINES)
SCALE = 2:1

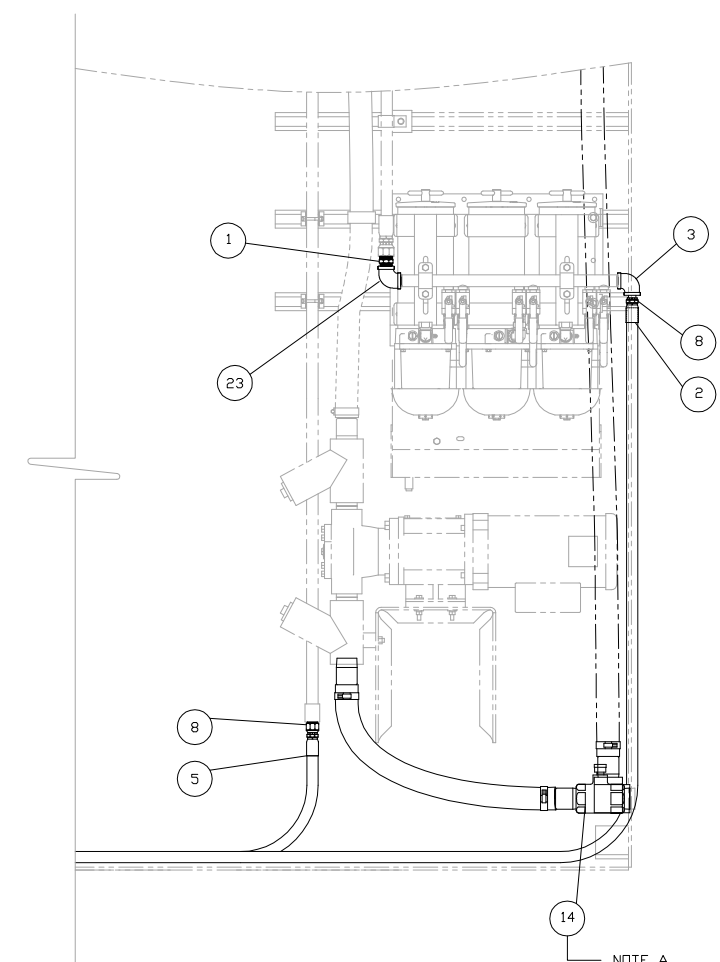


PARTIAL STREETSIDE VIEW (ENGINE FUEL LINES)
SCALE = 1:1



DETAIL VIEW A-A (L-BRACKET & P-CLIP MOUNTING ON RADIATOR)
SCALE = NONE

ITEM	QTY.	P/N	DESCRIPTION
1	1	030-8307	- JIC 37° 1-5/16"-12 MALE/3/4-14 NPTF MALE ADAPTER
2	1	88C167	-FUEL LINE AS-ENGINE SUPPLY FROM RACDR
3	2	44605K115-3/4"-14	NPT BLACK IRON PIPE 90° ELBOW
4	1	112-4036-3/4"	NPT BALL VALVE
5	1	88C168	-FUEL LINE AS-FUEL TANK RETURN FROM COOLER SUPPLY
6	1	88C169	-FUEL LINE AS-FUEL COOLER SUPPLY FROM ENGINE RETURN
7	6	8T-4205	-WASHER-FLAT-1/4"
8	3	5F-6371-3/4"	NPT SWIVEL NUT ADAPTER
9	1	1L-2702-3/4"	NPTF-3/4" NPTM ADAPTER
10	1	070-8790	-P-CLAMP
11	5	5M-3062	-BOLT-3/8-16THD
12	3	9N-1394-L	-BRACKET
13	5	6V-8801	-NUT-3/8"-16
14	1	372-6720	-LINES GP-FUEL (REMOTE SUPPLY & RETURN)
15	12	0708B13-1-1/2"	I.D. CLAMP
16	-	-	-
17	1	8M-0792-1/2"	NPTF-1/2" NPTM ADAPTER
18	6	8T-4971-M6X1	BOLT
19	1	004-7270-3/4"	NPT CONNECTOR
20	3	0708B14-1-1/2"	I.D. CLAMP
21	6	8T-4896-3/8"	FLAT WASHER
22	24	9X-6772	-STRAP-CABLE
23	1	3B-6490-3/4"	COUPLING



TRIPLE RACDR FRONT VIEW
SCALE = NONE

- NOTE A: SEE DRAWING 372-6720 FOR INSTALLATION DETAILS
- NOTE B: ROUTE FUEL LINE THROUGH INSIDE OF ENGINE RAIL
- NOTE C: ROUTE FUEL LINE THROUGH HOLE ON SUPPORT BRACKET WRAP WITH RUBBER AND STRAP-CABLE TO PREVENT RUB POINT
- NOTE D: TY-WRAP FUEL LINES TOGETHER BEHIND CAC RETURN PIPE
- NOTE E: INSTALL QTY. (2) OF ITEM #15 AT EACH M6 NUTSERT LOCATIONS IN FLOOR
- NOTE F: ROUTE FUEL LINE THROUGH END OF ENGINE RAIL & UP
- NOTE G: MOUNT ITEM#12 USING EXISTING BOLT ON ENGINE WATER PIPE HOUSING

DATE	BY	DESCRIPTION
09-16-14	JAM	VALUE ENGINEERING
07-03-14	JAM	PRODUCTION UPDATE
02-18-14	JAM	REVISION
		CHANGE NOTICE

ALTORFER		ALTORFER POWER SYSTEMS	
6315 W. FAUBER RD.		PHONE (309) 697-1234	
BARTONVILLE, IL 61607		FAX (309) 282-7546	
THIS DOCUMENT CONTAINS PROPRIETARY INFORMATION OF ALTORFER, INC. WITHOUT THE WRITTEN PERMISSION OF ALTORFER, INC., ANY COPYING OR OTHER USE EXCEPT THAT FOR WHICH IT WAS INTENDED IS PROHIBITED.			
FILE	DF/88A	PROJECT REFERENCE	APS2000
ALL DIMENSIONS IN INCHES UNLESS OTHERWISE SPECIFIED	SCALE/SHEET SIZE	DRAWN BY	QUOTE NUMBER
TOLERANCES: X.X ± 0.100 X.XX ± 0.060 X.XXX ± 0.005	THIRD ANGLE PROJECTION	JAM	-
ANGULAR ± 1°	SHEET	DATE	WORK ORDER NUMBER
	1 OF 1	05-07-13	-
TITLE			DRAWING NUMBER
FUEL LINES MOUNTING GROUP			88A107-3