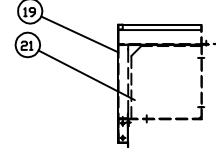
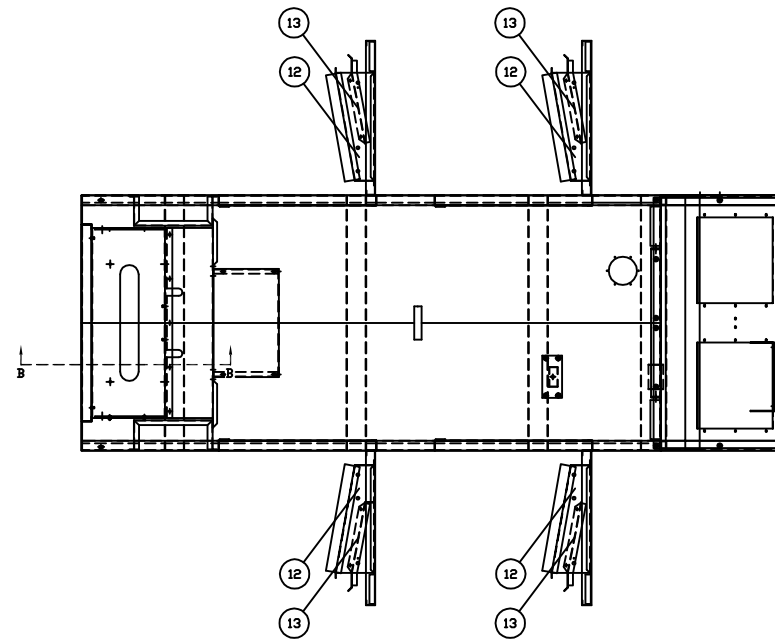


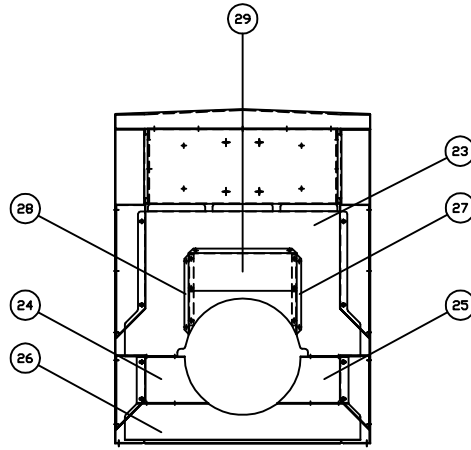
DETAIL C



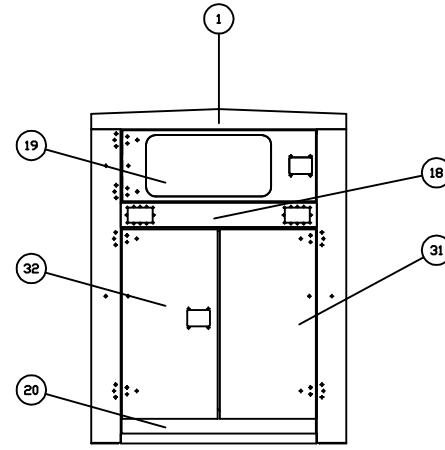
VIEW B-B



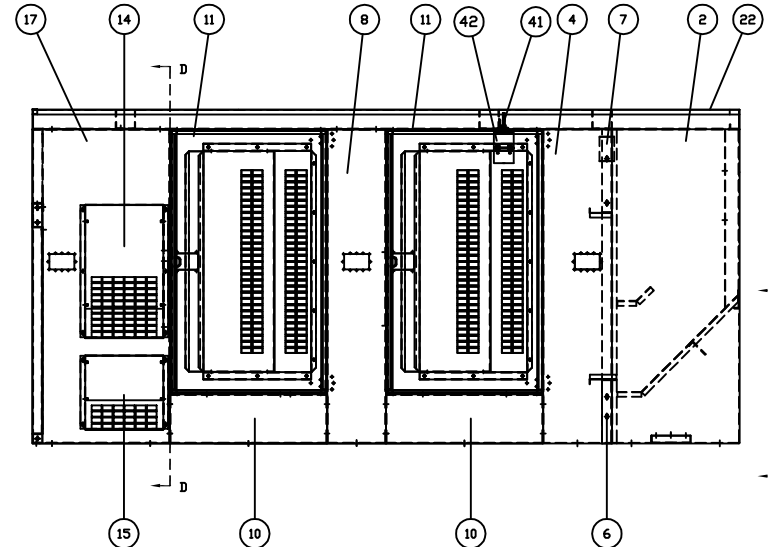
TOP VIEW
SHOWN WITH ROOF AS. REMOVED



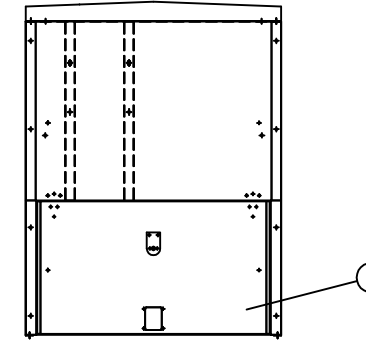
VIEW D-D



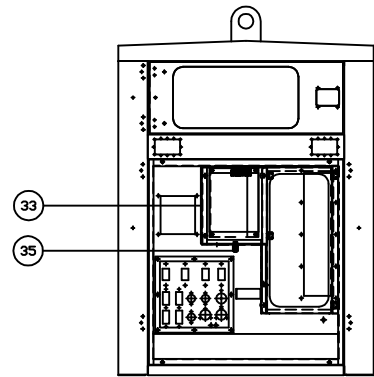
REAR VIEW



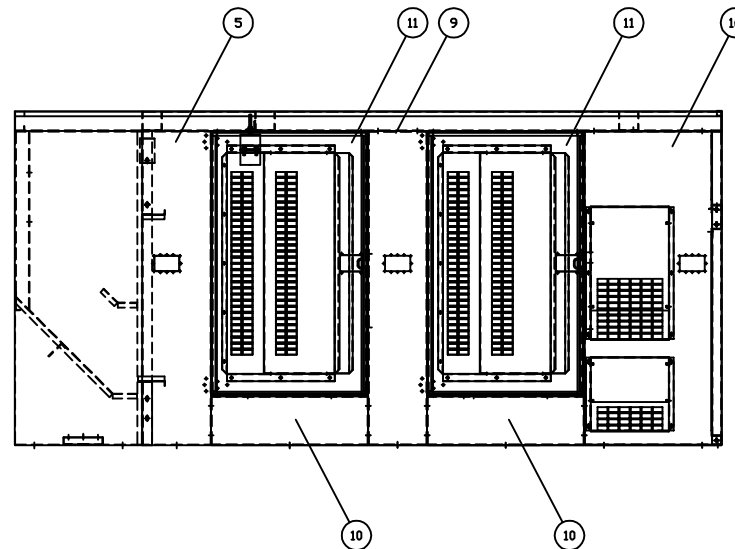
RIGHT SIDE VIEW



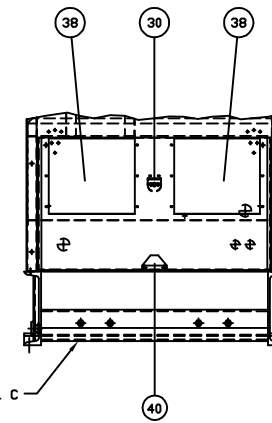
FRONT VIEW



REAR VIEW
SHOWN WITH LOAD DOORS OPEN



LEFT SIDE VIEW



VIEW A-A

ITEM	QTY.	PART NO.	DESCRIPTION	WEIGHT
1	1	49C101	ROOF ASSEMBLY	372
2	1	49C103	EXHAUST DUCT ASSEMBLY	274
3	1	58C112	BATTERY DOOR	42
4	1	49C109	RH FRONT CORNER	60
5	1	49C110	LH FRONT CORNER	60
6	1	49C111	BELOW RADIATOR PANEL ASSEMBLY	14
7	1	49C112	ABOVE RADIATOR PANEL ASSEMBLY	22
8	1	49C115	RH FILLER PANEL ASSEMBLY	37
9	1	49C117	LH FILLER PANEL ASSEMBLY	37
10	4	52C127	BELOW DOOR PANEL	60
11	4	49C119	ACCESS DOOR ASSEMBLY	256
12	4	49C121	SOUND BOX - ACCESS DOOR	160
13	4	49C122	DOOR BAFFLE	84
14	2	49C123	SOUND BOX - UPPER REAR	40
15	2	49C124	SOUND BOX - LOWER REAR	24
16	1	49C125	LH REAR CORNER ASSEMBLY	81
17	1	49C127	RH REAR CORNER ASSEMBLY	81
18	1	54C141	CONT FILLER PANEL ASSEMBLY	18
19	1	52C141	CONTROL DOOR	26
20	1	52C142	BELOW CONTROL PANEL	8
21	1	49C129	CONTROL PANEL PAN ASSEMBLY	52
22	1	49C132	EXHAUST SCREEN	42
23	1	49C133	BULKHEAD - TOP	44
24	1	49C134	BULKHEAD - LH SIDE	4
25	1	49C135	BULKHEAD - RH SIDE	4
26	1	49C136	BULKHEAD - LOWER	10
27	1	49C137	RACEWAY - RH SIDE	6
28	1	49C138	RACEWAY - LH SIDE	6
29	1	49C139	RACEWAY - TOP	11
30	1	52C148	SWITCH BRACKET	1
31	1	52C155-1	RH LOAD DOOR ASSEMBLY	30
32	1	52C158-1	LH LOAD DOOR ASSEMBLY	29
33	1	53C305	CHANGE OVER BOARD COVER DOOR	7
34	1	53C307-1	LOAD COVER DOOR	11
35	1	54C160	DOOR CATCH - LOAD	1
36	2	49C140	STRAP - DUCT SIDE	2
37	2	49C141	STRAP - DUCT TOP/BOTTOM	2
38	2	49C144	ACCESS COVER - DUCT	32
39	1	52C174	SWITCH BOX - FUEL LEVEL GAUGE	3
40	1	52C176	CATCH - BATTERY DOOR	1
41	2	49C142	EXHAUST HANGER	32
42	1	49C143	EXHAUST HANGER ASSEMBLY	2

TOTAL WEIGHT 2,088 lbs.

NOTE A: ITEMS 36 & 37 INSTALLED IN ENCLOSURE GROUP 49A113
 NOTE B: ITEM 34 INSTALLED IN LOAD DOOR MOUNTING GROUP 49A121

CHG FOR PRODUKARD DATE BY	ALTORFER		ALTORFER POWER SYSTEMS 6315 W. FAUBER RD. PHONE (309) 697-1234 BARTONVILLE, IL 61607 FAX (309) 282-7546	
	THIS DOCUMENT CONTAINS PROPRIETARY INFORMATION OF ALTORFER, INC. WITHOUT THE WRITTEN PERMISSION OF ALTORFER, INC. ANY COPYING OR OTHER USE EXCEPT THAT FOR WHICH IT WAS INTENDED IS PROHIBITED.		PROJECT REFERENCE APS150 RENTAL PACKAGE	
ALL DIMENSIONS IN INCHES UNLESS OTHERWISE SPECIFIED	FILE DF/49C	SCALE/SHEET SIZE 1=20/D	DRAWN BY B. LOHNES	QUOTE NUMBER
	TOLERANCES: XX ± 0.100 XXX ± 0.050 XXXX ± 0.005	THIRD ANGLE PROJECTION	SHEET 1 OF 1	DATE 01-14-09
ANGULAR ± 1°	TITLE APS150 DV ENCLOSURE PARTS GROUP		DRAWING NUMBER 49C100	