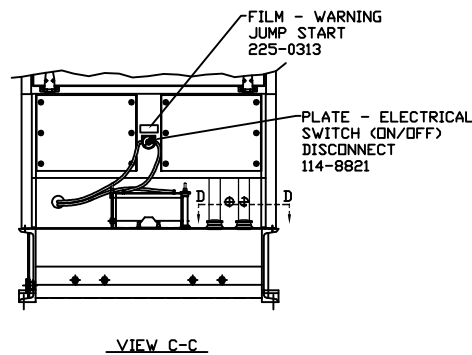
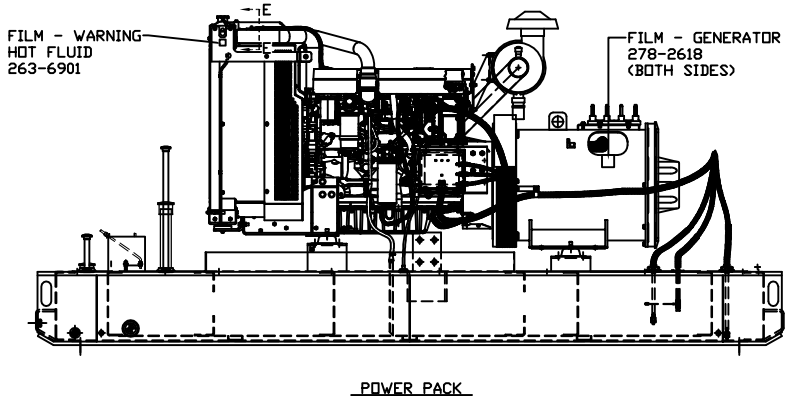
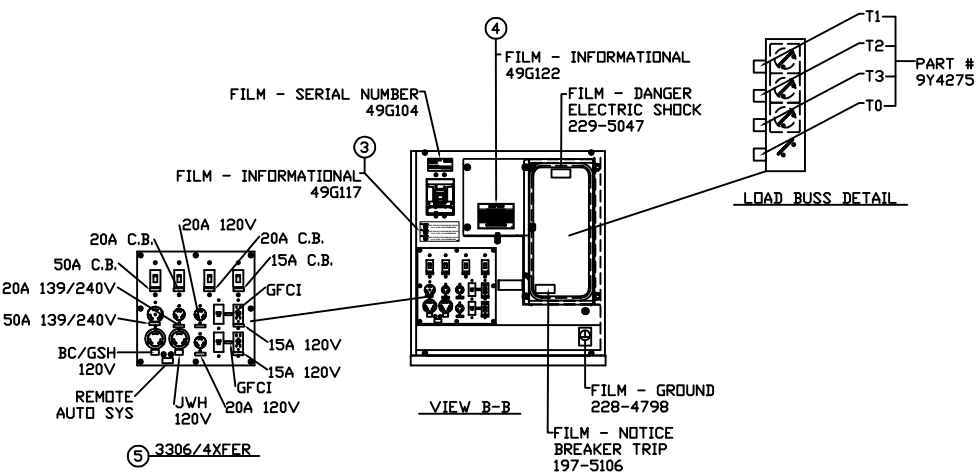
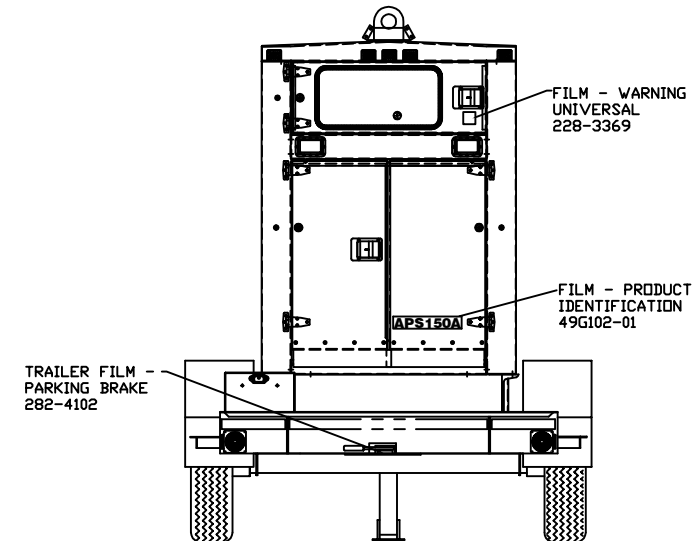
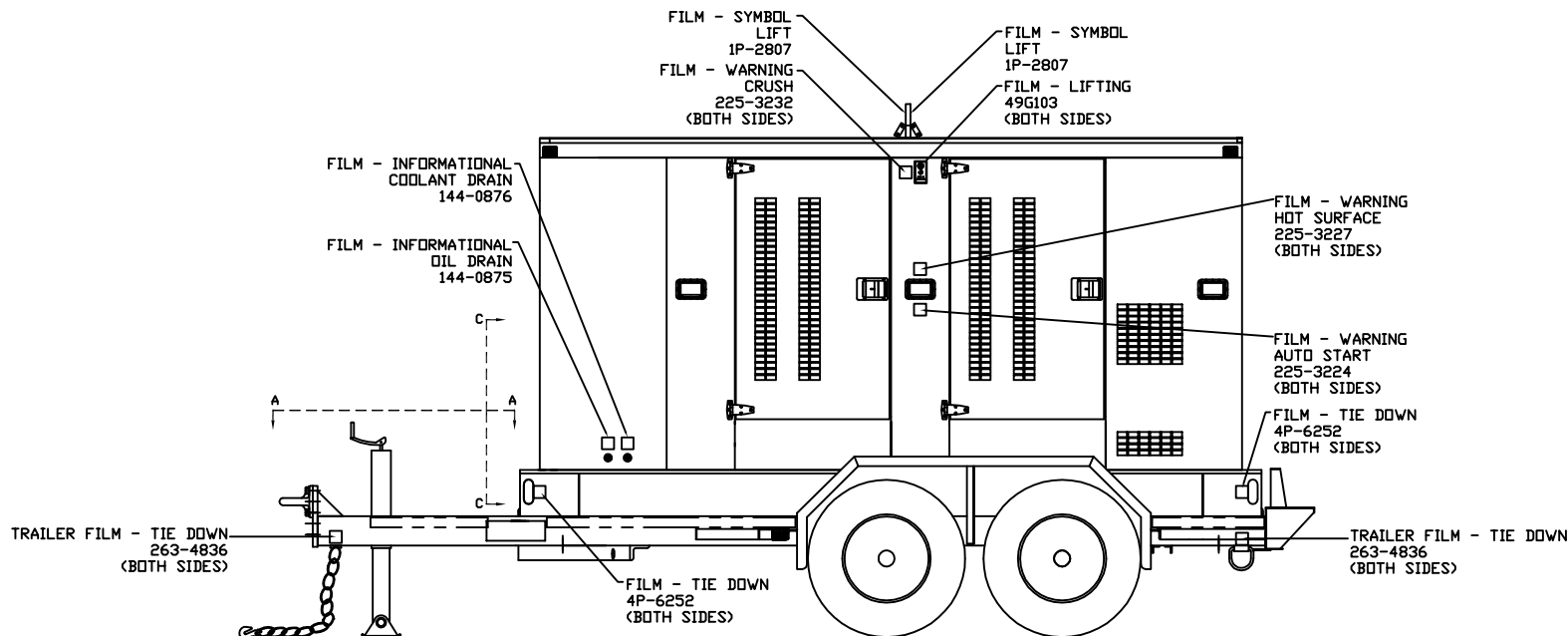
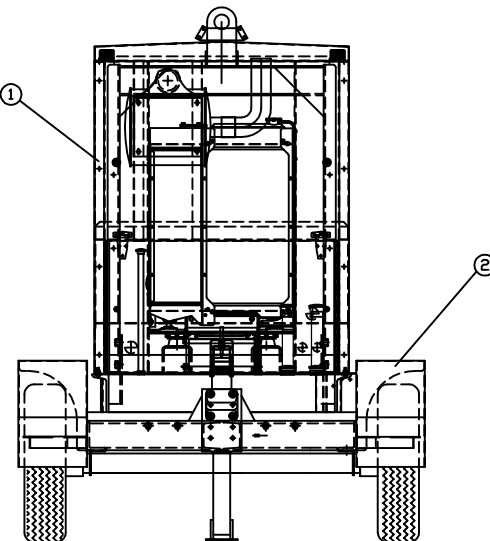
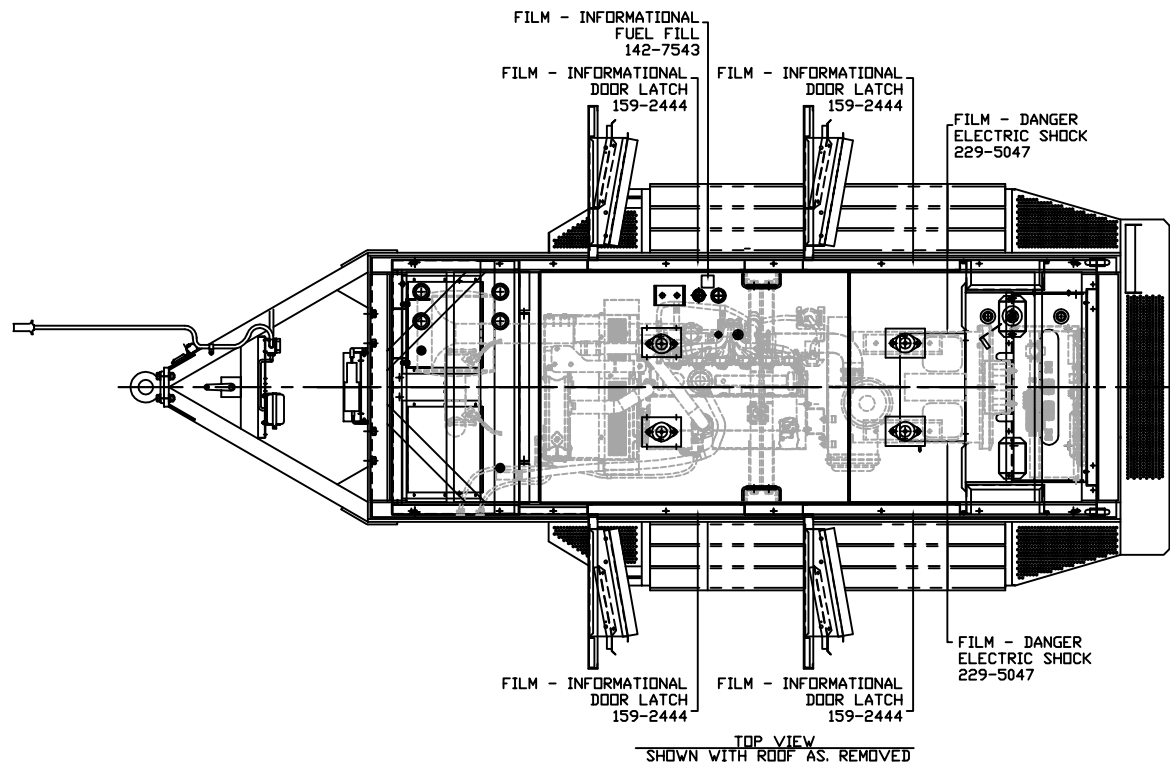
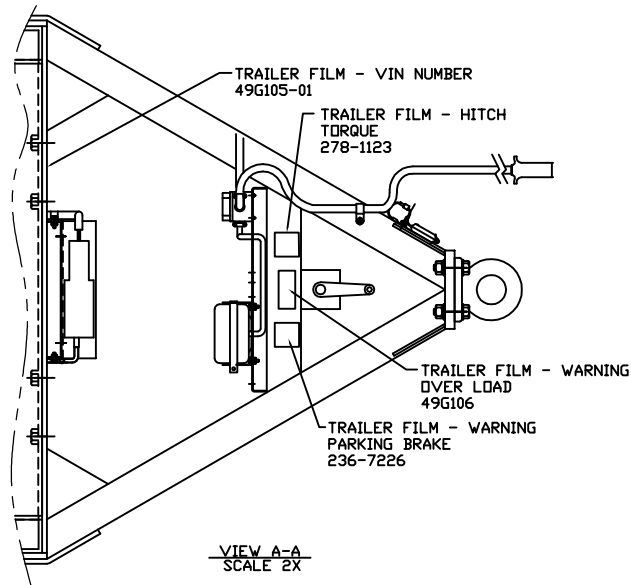


ITEM	QTY.	PART NO.	DESCRIPTION	WEIGHT
1	1	49G100-01	APS150 RENTAL GENERATOR PACKAGE - FILM GROUP	-
2	1	49G101	APS150 TRAILER - FILM GROUP	-
3	1	49G117	FILM - INFORMATIONAL	-
4	1	49G122	FILM - INFORMATIONAL	-
5	1	3306/4XFER	FILM - LOAD PAN	-
6	1	80G123	FILM - INFORMATIONAL 'HIGH'	-
7	1	80G124	FILM - INFORMATIONAL 'LOW'	-
8	1	80G151	FILM - INFORMATIONAL 'VOLTAGE'	-



ALTORFER		ALTORFER POWER SYSTEMS	
09/12/12	06/12/12	6315 W. FAUBER RD. BARTONVILLE, IL 61607	
DATE BY	DATE BY	PHONE (309) 697-1234 FAX (309) 282-7546	
UPDATED TO PRODUCTION	REVISIONS	THIS DOCUMENT CONTAINS PROPRIETARY INFORMATION OF ALTORFER, INC. WITHOUT THE WRITTEN PERMISSION OF ALTORFER, INC., ANY COPYING OR OTHER USE EXCEPT THAT FOR WHICH IT WAS INTENDED IS PROHIBITED.	
CHANGE NOTICE	FILE	PROJECT REFERENCE	APPS150A RENTAL PACKAGE
ALL DIMENSIONS IN INCHES UNLESS OTHERWISE SPECIFIED	DF/49A	DRAWN BY	B. LOHNES
TOLERANCES: XX ± 0.100 ANGLE PROJECTION	SCALE/SHEET SIZE 1=20/D	DATE	01/31/12
XXX ± 0.060	SHEET 1 OF 1	WORK ORDER NUMBER	-
XXXX ± 0.005	ANGULAR ± 1°	DRAWING NUMBER	49A207-02
TITLE	APS150A DV RENTAL PACKAGE - MARKINGS GROUP		