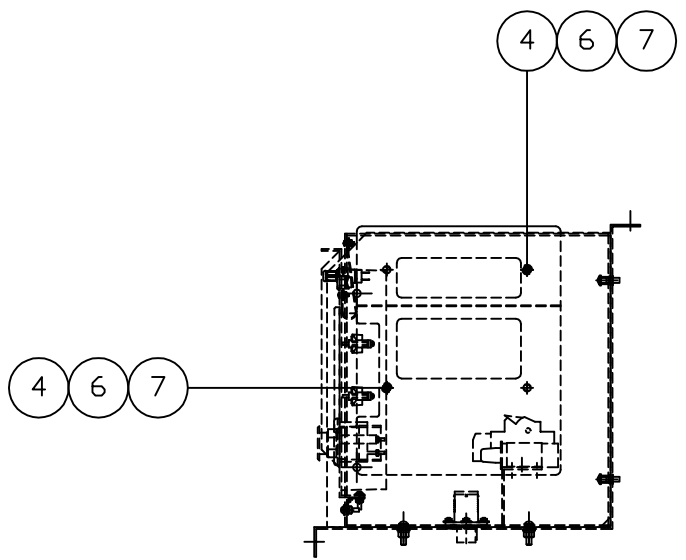
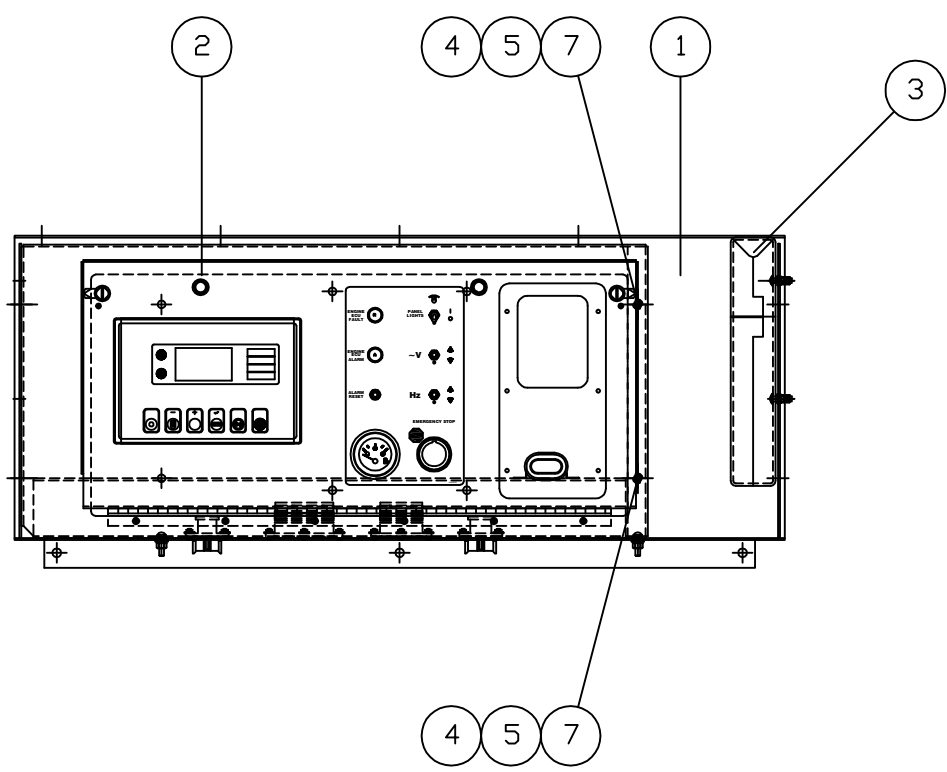
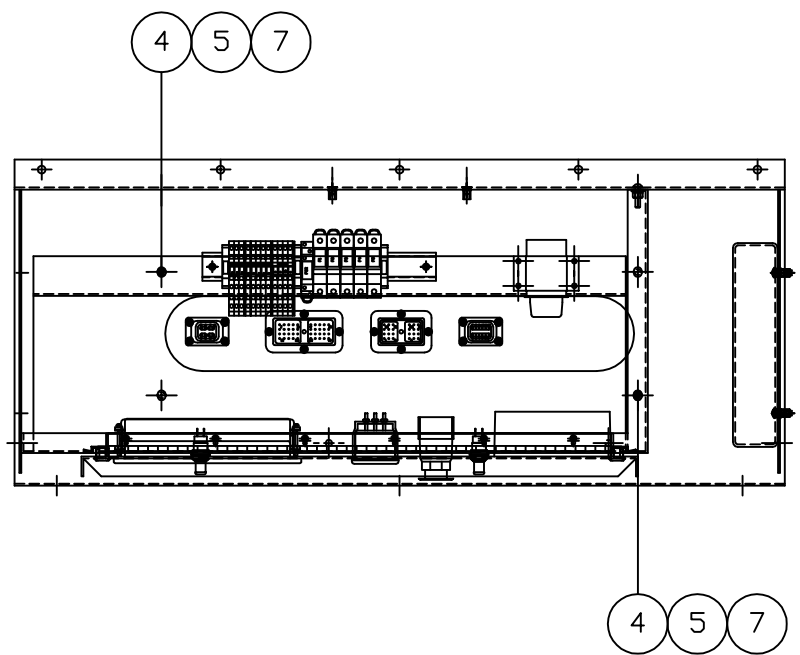

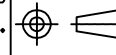


INCH 49A205



ITEM	QTY.	PART NO.	DESCRIPTION	WEIGHT
1	1	49C129	CONTROL PANEL ASSEMBLY	52
2	1	49E111	CONTROL PANEL DSE5310 (240/480)	90
3	1	194-4184	DOCUMENT BOX	1
4	6	033-8755	1/4"-20x1" S.S. TRUSS HEAD SCREW	-
5	4	224-6797	1/4" S.S. FLAT WASHER	-
6	2	317-5700	1/4" S.S. NEOPREME WASHER	-
7	6	3E-9865	1/4"-20 LOCKNUT	-
TOTAL				143

DATE BY		 ALTORFER POWER SYSTEMS 6315 W. FAUBER RD. PHONE (309) 697-1234 BARTONVILLE, IL 61607 FAX (309) 282-7546				
				THIS DOCUMENT CONTAINS PROPRIETARY INFORMATION OF ALTORFER, INC. WITHOUT THE WRITTEN PERMISSION OF ALTORFER, INC., ANY COPYING OR OTHER USE EXCEPT THAT FOR WHICH IT WAS INTENDED IS PROHIBITED		
CHANGE NOTICE	NO.	ALL DIMENSIONS IN INCHES UNLESS OTHERWISE SPECIFIED		FILE	PROJECT REFERENCE	
				DF 49A	APS150A RENTAL PACKAGE	
		TOLERANCES: X.X ± 0.100 X.XX ± 0.060 X.XXX ± 0.005	THIRD ANGLE PROJECTION	SCALE/SHEET SIZE 1=10/B	DRAWN BY B. LOHNES	QUOTE NUMBER -
		ANGULAR ± 1°		SHEET 1 OF 1	DATE 01/31/12	WORK ORDER NUMBER -
TITLE		DRAWING NUMBER				
2	1	APS150A DV CONTROL PANEL MOUNTING GROUP			49A205	