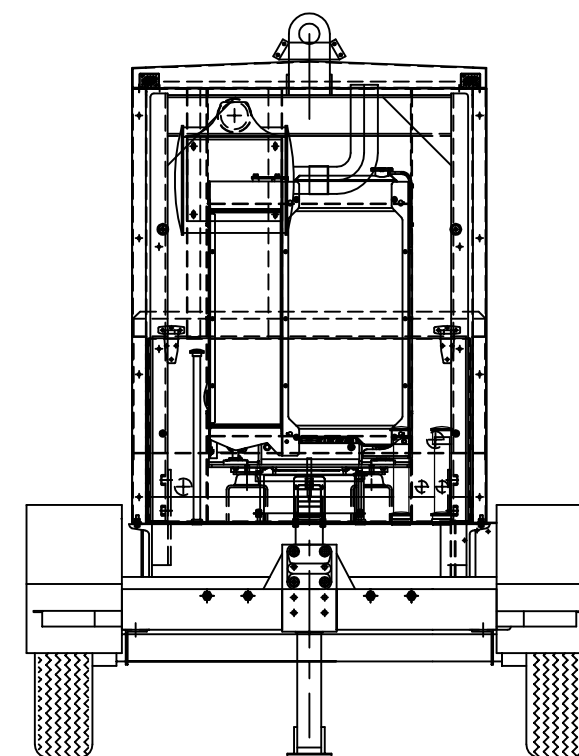
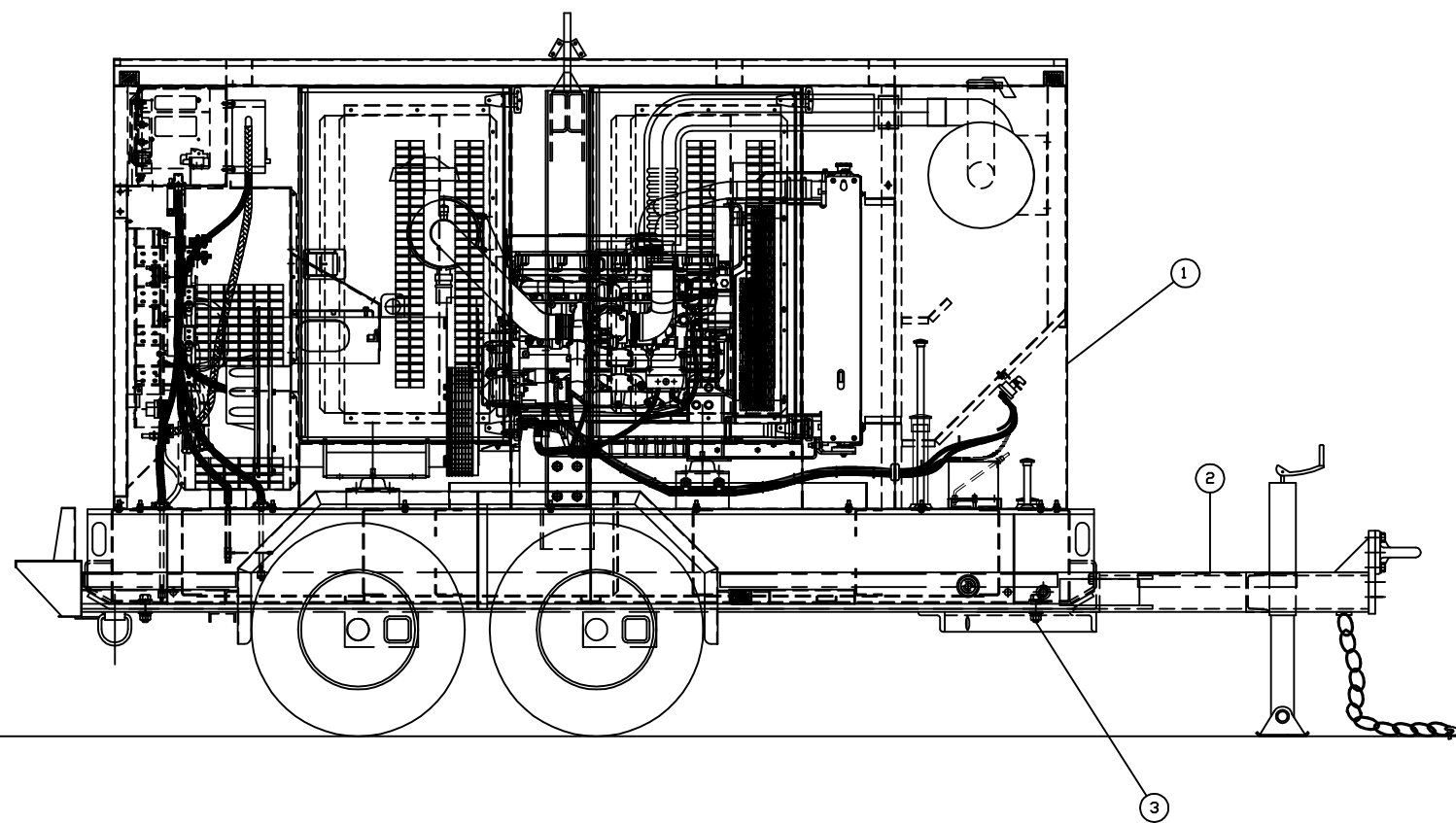
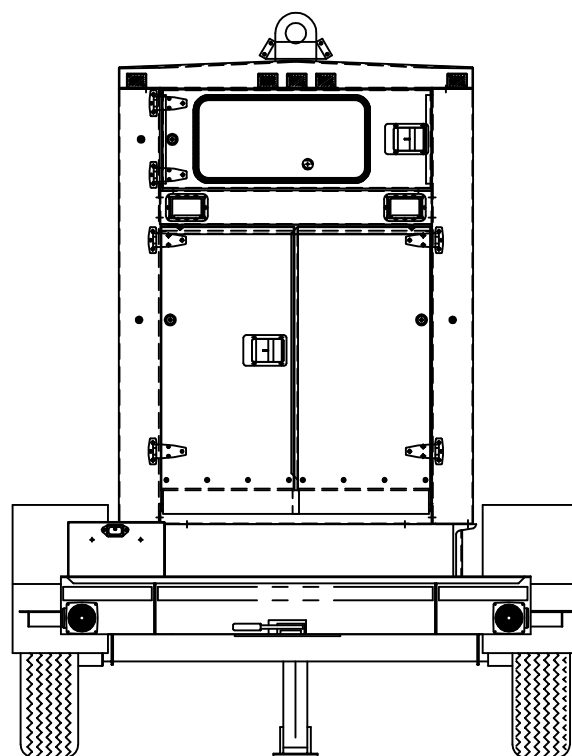
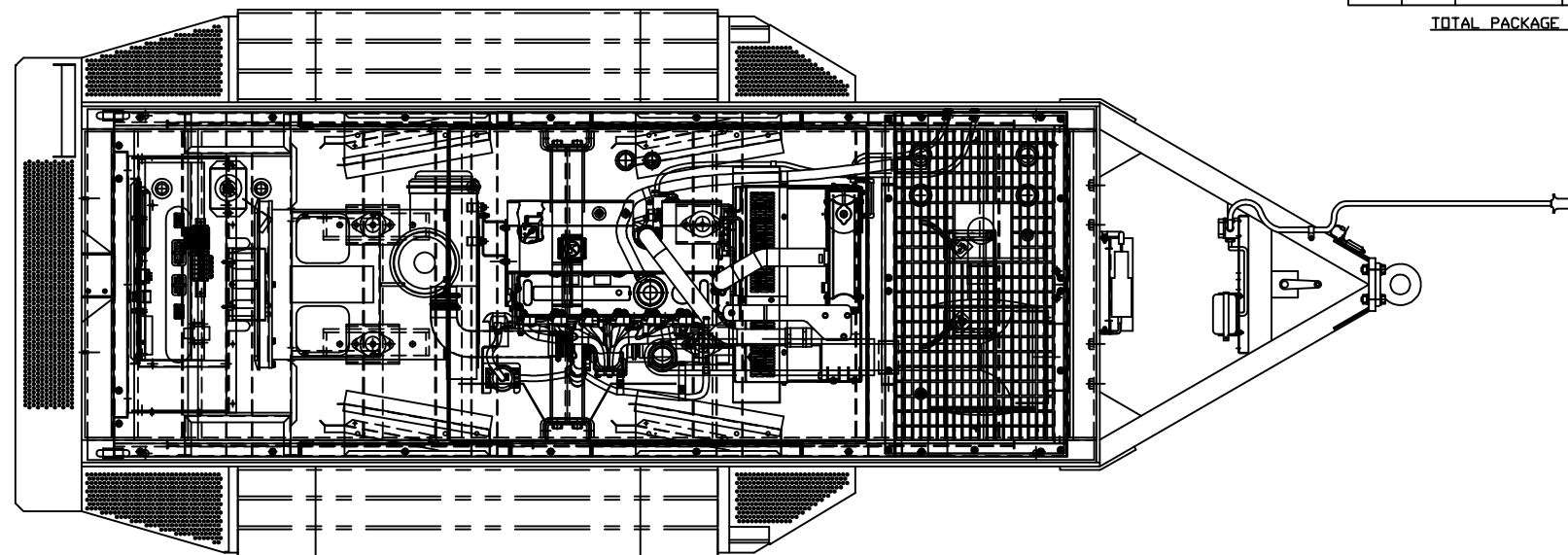


ITEM	QTY.	PART NO.	DESCRIPTION	WEIGHT
1	1	49A200	APS150 DUAL VOLTAGE ARRANGEMENT W/D FUEL W/ FUEL	7,860 10,110
2	1	49A117	APS150 TRAILER GROUP	2,750
3	1	49A118	APS150 TRAILER MOUNTING GROUP	

TOTAL PACKAGE WEIGHTS:
 GENERATOR SET W/ TRAILER & NO FUEL= 10,850 lbs.
 GENERATOR SET W/ TRAILER & FUEL LOAD= 13,100 lbs.



		ALTORFER POWER SYSTEMS 6315 W. FAUBER RD. PHONE (309) 697-1234 BARTONVILLE, IL 61607 FAX (309) 282-7546			
		THIS DOCUMENT CONTAINS PROPRIETARY INFORMATION OF ALTORFER, INC. WITHOUT THE WRITTEN PERMISSION OF ALTORFER, INC., ANY COPYING OR OTHER USE EXCEPT THAT FOR WHICH IT WAS INTENDED IS PROHIBITED.			
CHANGE NOTICE NO. 1	ALL DIMENSIONS IN INCHES UNLESS OTHERWISE SPECIFIED	FILE DF/49A	PROJECT REFERENCE APS150A RENTAL PACKAGE		
	TOLERANCES: .XX ± 0.100 X.XX ± 0.060 X.XXX ± 0.005	THIRD ANGLE PROJECTION	SCALE/SHEET SIZE 1=20/C	DRAWN BY B. LOHNES	QUOTE NUMBER -
	ANGULAR ± 1°		SHEET 1 OF 1	DATE 02-13-12	WORK ORDER NUMBER -
	TITLE APS150A DV RENTAL PACKAGE ARR. W/ TRAILER				DRAWING NUMBER 49A202