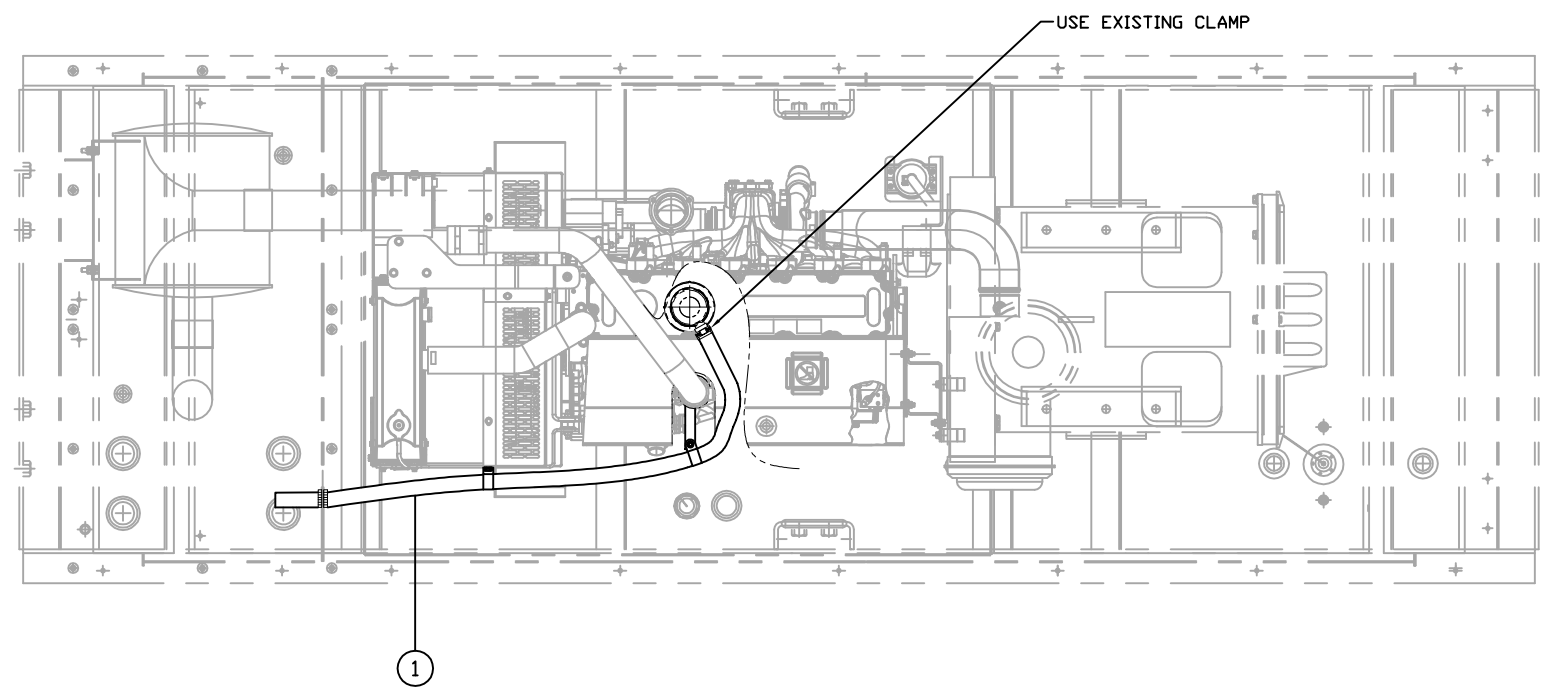
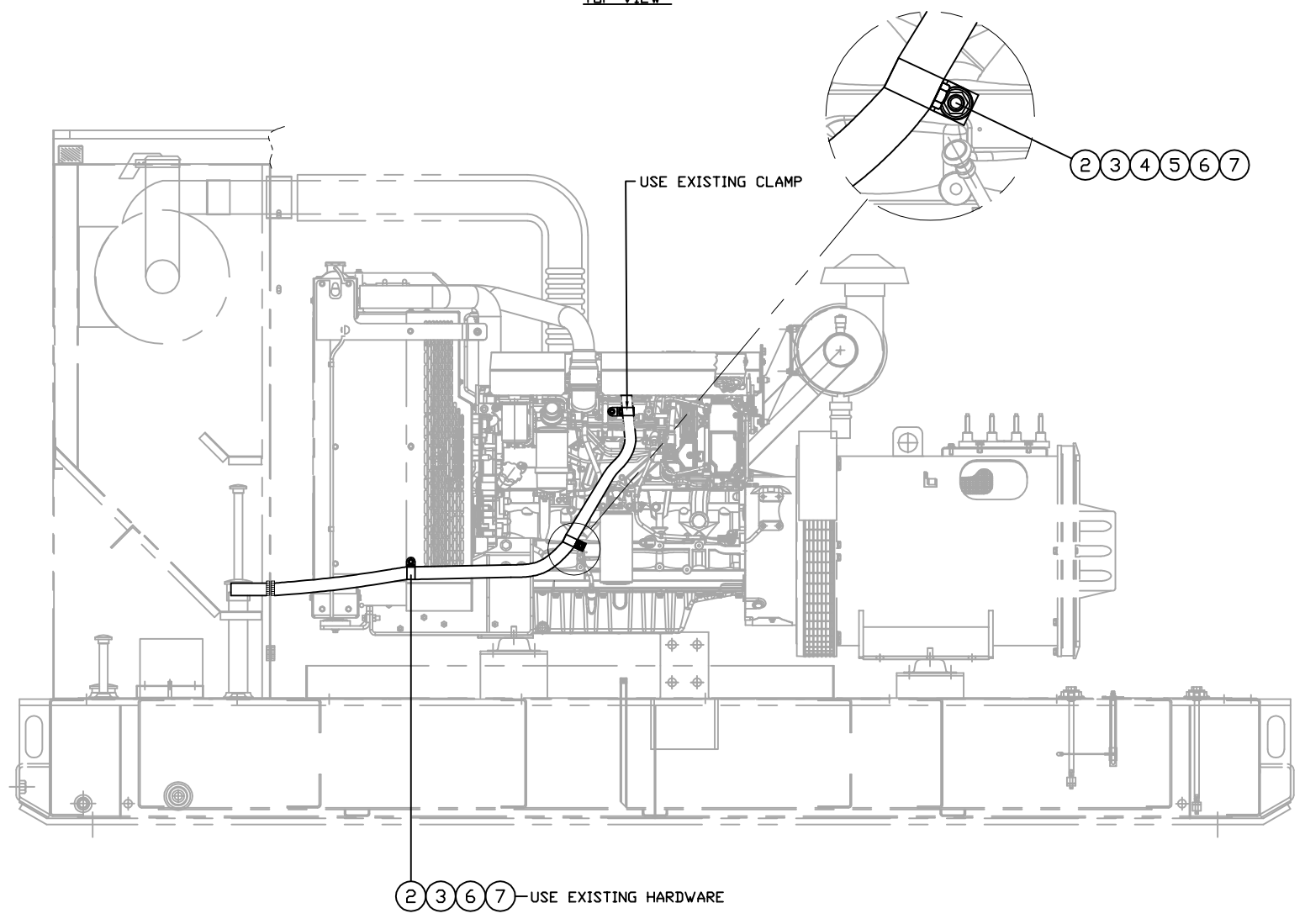


INCH 49A120-01



TOP VIEW



LEFT SIDE VIEW

ITEM	QTY.	PART NO.	DESCRIPTION	WEIGHT
1	1	6V-8843	HOSE 5/8" - 70"Lg.	-
2	2	9N-1394	SUPPORT BRACKET	-
3	2	7C-4354	VINYL CLAMP 1.50"	-
4	1	8T-4137	BOLT - M10x1.50"	-
5	1	5P-1075	FLAT WASHER	-
6	2	345-8531	3/8" WHIZLOCK BOLT	-
7	2	198-2970	3/8" WHIZLOCK NUT	-

03/20/12 BML	DATE BY	ALTORFER			ALTORFER POWER SYSTEMS		
				6315 W. FAUBER RD. PHONE (309) 697-1234 BARTONVILLE, IL 61607 FAX (309) 282-7546			
CHANGED HARDWARE	CHANGE NOTICE	THIS DOCUMENT CONTAINS PROPRIETARY INFORMATION OF ALTORFER, INC. WITHOUT THE WRITTEN PERMISSION OF ALTORFER, INC., ANY COPYING OR OTHER USE EXCEPT THAT FOR WHICH IT WAS INTENDED IS PROHIBITED					
		ALL DIMENSIONS IN INCHES UNLESS OTHERWISE SPECIFIED	FILE DF/49A	PROJECT REFERENCE APS150 RENTAL PACKAGE			
		TOLERANCES: X.X ± 0.100 X.XX ± 0.060 X.XXX ± 0.005	THIRD ANGLE PROJECTION	SCALE/SHEET SIZE 1=20/B	DRAWN BY B. LOHNES	QUOTE NUMBER -	
		ANGULAR ± 1°		SHEET 1 OF 1	DATE 12-24-08	WORK ORDER NUMBER -	
2	1	NO.	TITLE APS150 FUMES MOUNTING GROUP			DRAWING NUMBER 49A120-01	