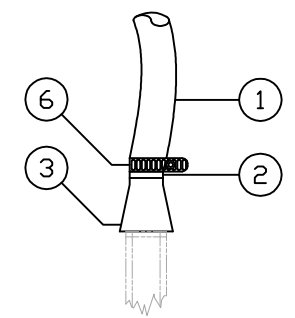
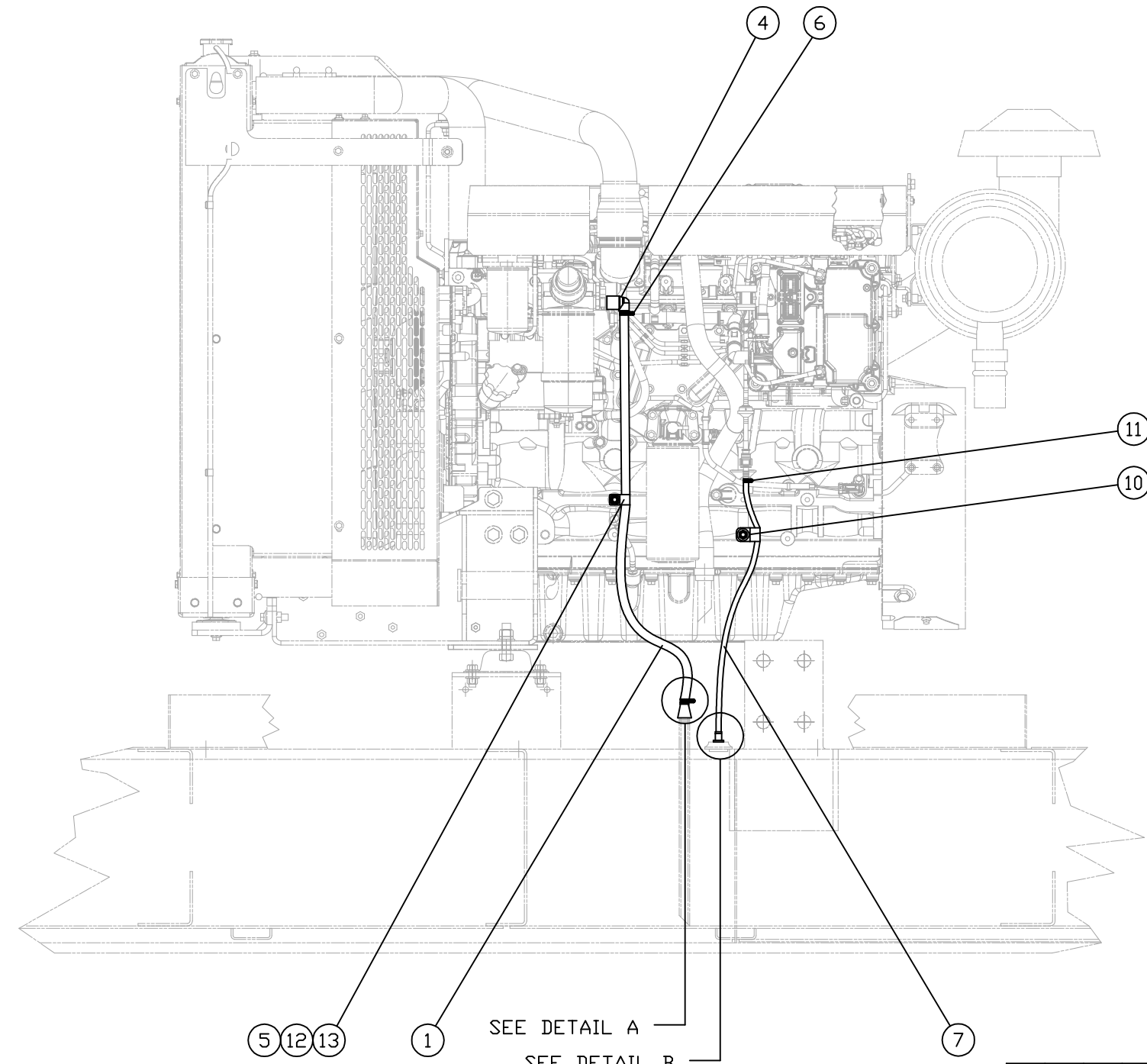


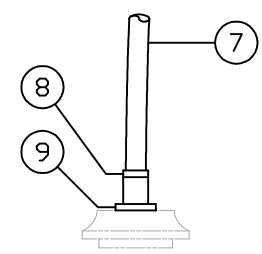
8 7 6 5 4 3 2 1

INCH 49A119

ITEM	QTY.	PART NO.	DESCRIPTION	WEIGHT
1	1	121-0110	5/8" HOSE - 31" Lg.	XX
2	1	91465K22	BARBED FITTING - 3/8"NPT x 5/8"	XX
3	1	PBR3834	REDUC. COUP. - 3/4"NPT x 3/8"NPT	XX
4	1	264-3518	CONNECTOR - FUEL	XX
5	1	3S-8664	VINYL CLAMP - 3/4"	XX
6	2	5D1026	HOSE CLAMP - 1"	XX
7	1	121-0106	3/8" HOSE - 17" Lg.	XX
8	1	91465K93	BARBED FITTING - 3/8"NPT x 3/8"	XX
9	1	PHB3834	HEX BUSHING - 3/4"NPT x 3/8"NPT	XX
10	1	5P-9299	VINYL CLAMP - 1/2"	XX
11	1	1P-4278	HOSE CLAMP - 3/8"	XX
12	2	8T-4137	BOLT - M10x1.50"	XX
13	2	8T-4896	M10 FLAT WASHER	XX



DETAIL A
SCALE 3:1



DETAIL B
SCALE 3:1

SEE DETAIL A
SEE DETAIL B
LEFT SIDE

DATE BY		ALTORFER			ALTORFER POWER SYSTEMS		
		6315 W. FAUBER RD.			PHONE (309) 697-1234		
		BARTONVILLE, IL 61607			FAX (309) 282-7546		
THIS DOCUMENT CONTAINS PROPRIETARY INFORMATION OF ALTORFER, INC. WITHOUT THE WRITTEN PERMISSION OF ALTORFER, INC., ANY COPYING OR OTHER USE EXCEPT THAT FOR WHICH IT WAS INTENDED IS PROHIBITED							
ALL DIMENSIONS IN INCHES UNLESS OTHERWISE SPECIFIED				FILE	PROJECT REFERENCE		
				DF/49A	APS150 RENTAL PACKAGE		
TOLERANCES:		THIRD ANGLE PROJECTION		SCALE/SHEET SIZE	DRAWN BY	QUOTE NUMBER	
X.X ± 0.100		[Symbol]		1=15/A	B. LOHNES	-	
X.XX ± 0.060				SHEET	DATE	WORK ORDER NUMBER	
X.XXX ± 0.005				1 OF 1	12-04-08	-	
ANGULAR ± 1'				TITLE			DRAWING NUMBER
				APS150 FUEL LINES GROUP			49A119
2	1	ND.	4	3	2	1	

8 7 6 5 4 3 2 1