

ABBREVIATIONS

ALS	ALARM SILENCE PUSH BUTTON
ALT	ALTERNATOR
AWG	AMERICAN WIRE GAUGE
CB	CIRCUIT BREAKER
CD AUX	CHANGEDOVER SWITCH AUX CONTACT
COSS	CHANGEDOVER SWITCH DOOR SAFETY SWITCH
CT	CURRENT TRANSFORMER
D	DIODE
ESPB	EMERGENCY STOP PUSH BUTTON
F	FUSE
FLG	FUEL LEVEL GAUGE
FLSU	FUEL LEVEL SENDING UNIT
GPP	GLOW PLUG POST
GPR	GLOW PLUG RELAY
IC	REMOTE START/STOP INITIATE CONTACT
LFLAS	LOW FUEL LEVEL ALARM SWITCH
NC	NORMALLY CLOSED
NO	NORMALLY OPEN
PL	PANEL ILLUMINATION LIGHT
PLS	PANEL LIGHT SWITCH
PS	PINION SOLENOID
PSS	PERSONNEL SAFETY SWITCH
SEC	SECOND
SHTC	CIRCUIT BREAKER SHUNT TRIP COIL
SM	STARTING MOTOR
SMMS	STARTING MOTOR MAGNETIC SWITCH
T	GENERATOR LINE LEADS
VSR1	VOLTAGE SLAVE RELAY 1
VSR2	VOLTAGE SLAVE RELAY 2

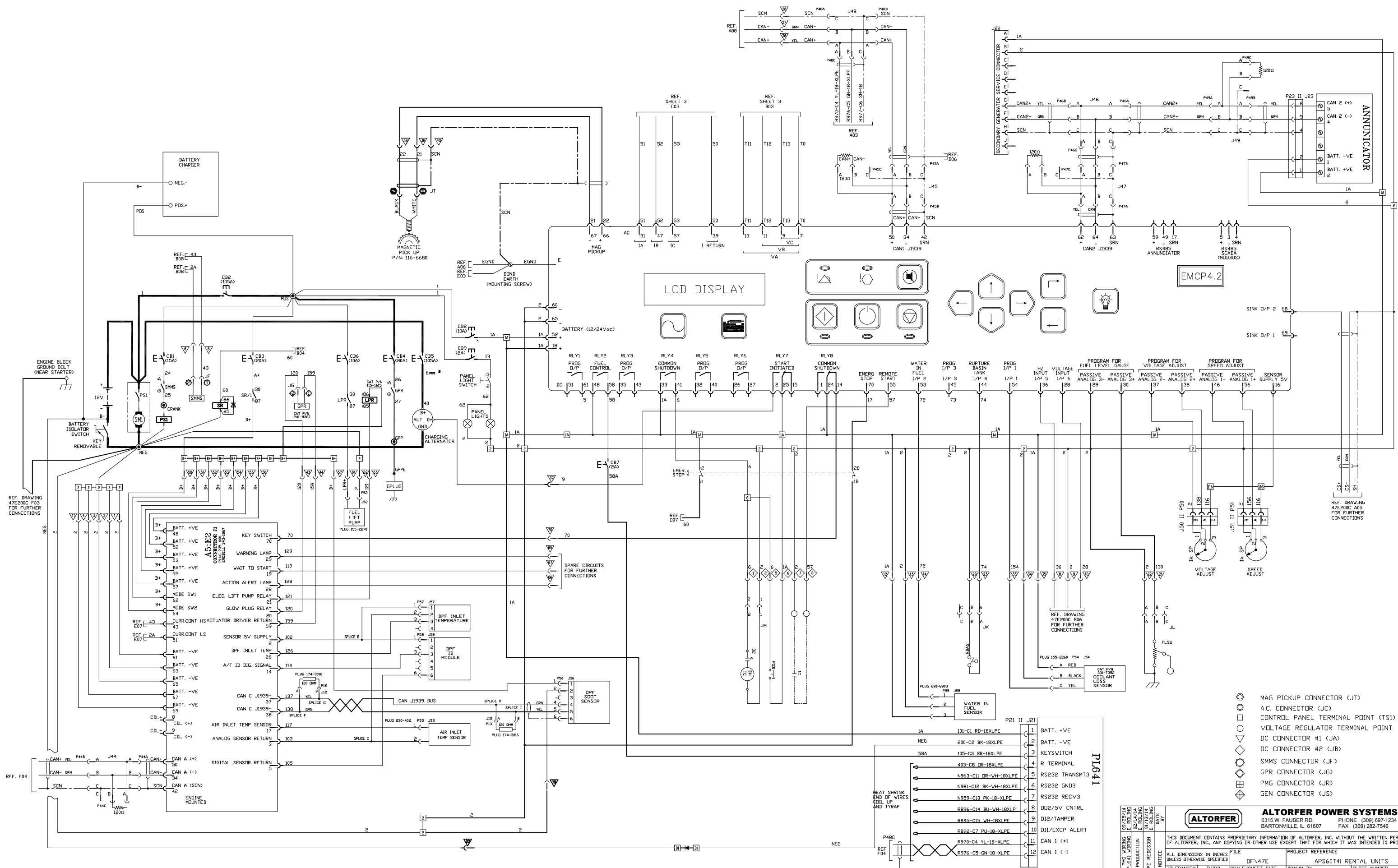
SYMBOLS

	A.C. CONNECTOR (JC)
	A.C. CONNECTOR (JD)
	CONTROL PANEL TERMINAL POINT (TS1)
	VOLTAGE REGULATOR TERMINAL POINT
	DC CONNECTOR #1 (JA)
	DC CONNECTOR #2 (JB)
	DC POWER BOX CONNECTOR (JE)
	SMMS CONNECTOR (JF)
	GPR CONNECTOR (JG)
	PMG CONNECTOR (JR)
	GEN CONNECTOR (JS)
	STANDARD WIRING
	CUSTOMER WIRING
	LOAD PAN WIRING
	SHIELDED WIRE
	RELAY CONTACT (NORMALLY OPEN)
	RELAY CONTACT (NORMALLY CLOSED)
	GENERATOR FRAME (CHASSIS) GROUND
	EARTH GROUND
	LIQUID LEVEL SWITCH
	LEVEL SENDING UNIT
	MANUALLY OPERATED CONTROL
	OPERATED BY TURNING
	DIODE
	FUSE
	EMERGENCY SWITCH
	RELAY COIL
	CIRCUIT BREAKER
	CAPACITOR

	EMERGENCY STOP
	RAISE
	LOWER
	ON
	OFF
	LAMP
	PANEL ILLUMINATION LIGHT

ABBREVIATIONS AND SYMBOLS

9 CORRECT FOR THE WORKING D. ROLLING 8 REVISE FOR PRODUCTION 1 PER PROTOTYPE CHANGES	07/28/13 D. ROLLING 02/14/14 D. ROLLING 07/12/13 D. ROLLING	DATE BY			ALTORFER POWER SYSTEMS 6315 W. FAUBER RD. PHONE (309) 697-1234 BARTONVILLE, IL 61807 FAX (309) 282-7546			
			THIS DOCUMENT CONTAINS PROPRIETARY INFORMATION OF ALTORFER, INC. WITHOUT THE WRITTEN PERMISSION OF ALTORFER, INC., ANY COPYING OR OTHER USE EXCEPT THAT FOR WHICH IT WAS INTENDED IS PROHIBITED					
			ALL DIMENSIONS IN INCHES UNLESS OTHERWISE SPECIFIED		FILE	PROJECT REFERENCE		
TOLERANCES: XX ± 0.100 XXX ± 0.050 XXXX ± 0.005		THIRD ANGLE PROJECTION	SCALE/SHEET SIZE	DRAWN BY	QUOTE NUMBER			
ANGULAR ± 1°			1=1/D	D. ROLLING	WORK ORDER NUMBER			
TITLE		SHEET	DATE	DRAWING NUMBER				
		1 OF 3	07/12/2013	47E102A-03				
DIAGRAM - WIRING EMCP 4.2								



REF. DRAWING 47E200C F03 FOR FURTHER CONNECTIONS

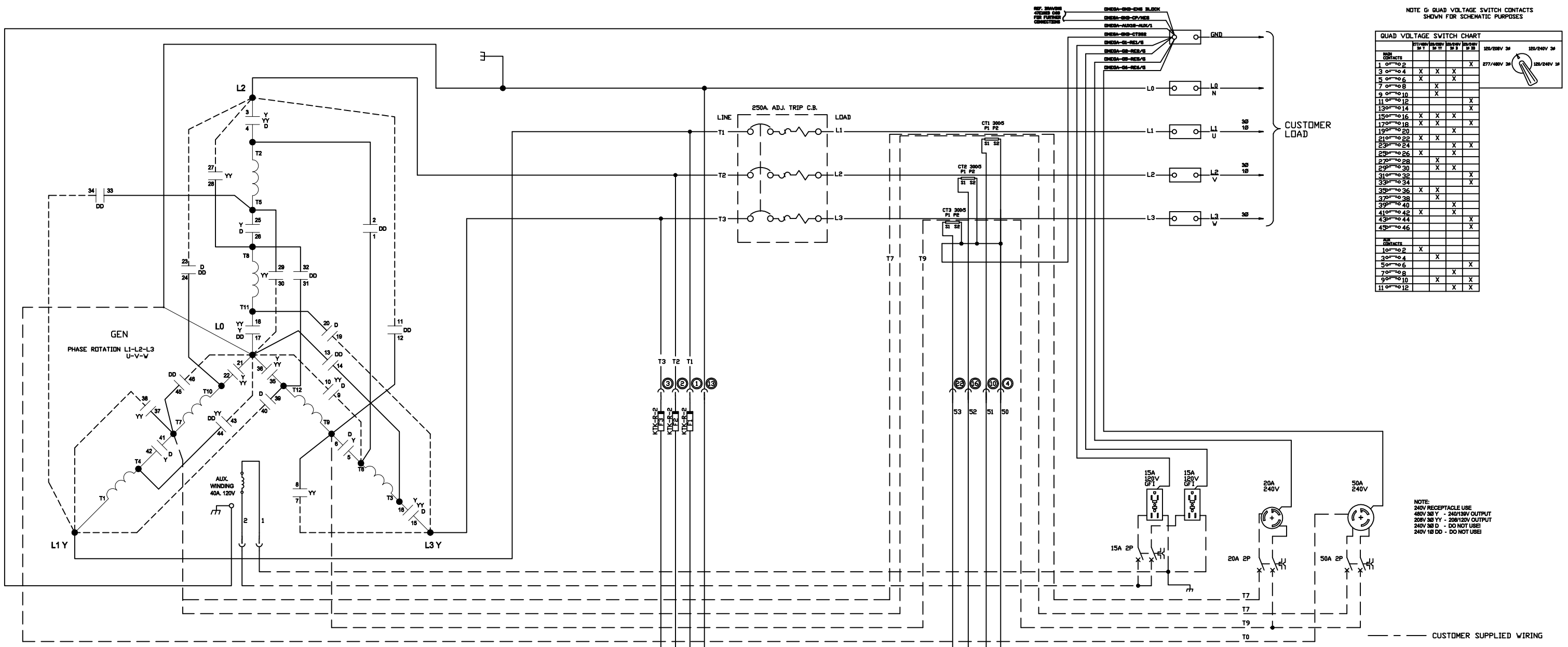
REF. DRAWING 47E200C A05 FOR FURTHER CONNECTIONS

REF. F04

REF. DRAWING 47E200C F03 FOR FURTHER CONNECTIONS

- MAG PICKUP CONNECTOR (JT)
- A.C. CONNECTOR (JC)
- CONTROL PANEL TERMINAL POINT (TS1)
- VOLTAGE REGULATOR TERMINAL POINT
- DC CONNECTOR #1 (JA)
- DC CONNECTOR #2 (JB)
- SMMS CONNECTOR (JF)
- GPR CONNECTOR (JG)
- PMG CONNECTOR (JR)
- GEN CONNECTOR (JS)

<p>ALTORFER POWER SYSTEMS 8315 W. FAUBER RD. BARTONVILLE, IL 61807 PHONE (309) 897-1234 FAX (309) 282-7546</p>	
<p>THIS DOCUMENT CONTAINS PROPRIETARY INFORMATION OF ALTORFER, INC. WITHOUT THE WRITTEN PERMISSION OF ALTORFER, INC., ANY COPYING OR OTHER USE EXCEPT THAT FOR WHICH IT WAS INTENDED IS PROHIBITED.</p>	<p>FILE PROJECT REFERENCE DF\47E AP560T41 RENTAL UNITS</p>
<p>ALL DIMENSIONS IN INCHES UNLESS OTHERWISE SPECIFIED</p>	<p>DRAWN BY QUOTE NUMBER D. ROLING</p>
<p>TOLERANCES: XXX ± 0.100 XXXX ± 0.050 XXXX ± 0.005</p>	<p>DATE WORK ORDER NUMBER 07/12/2013</p>
<p>ANGULAR ± 1°</p>	<p>SHEET 2 OF 3</p>
<p>TITLE</p>	<p>DRAWING NUMBER</p>
<p>DIAGRAM - WIRING EMCP 4.2</p>	<p>47E102B-03</p>



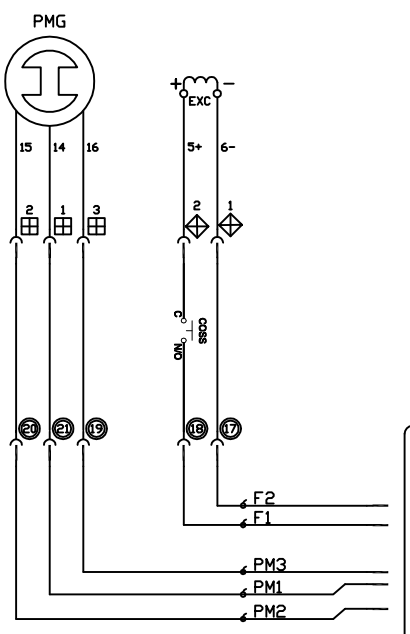
NOTE: QUAD VOLTAGE SWITCH CONTACTS SHOWN FOR SCHEMATIC PURPOSES

CONTRACT	277/480V 3Ø	120/208V 3Ø	120/240V 3Ø
1 0-2		X	
3 0-4	X	X	X
5 0-6	X	X	X
7 0-8	X		
9 0-10	X		
11 0-12	X		
13 0-14		X	X
15 0-16	X	X	X
17 0-18	X	X	X
19 0-20	X	X	X
21 0-22	X	X	X
23 0-24	X	X	X
25 0-26	X	X	X
27 0-28	X	X	X
29 0-30	X	X	X
31 0-32		X	X
33 0-34		X	X
35 0-36	X	X	
37 0-38	X	X	
39 0-40	X	X	
41 0-42	X	X	
43 0-44		X	X
45 0-46		X	X

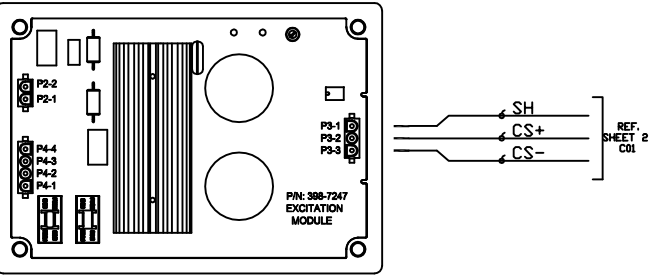
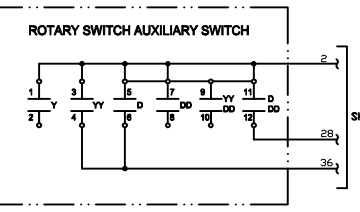
NOTE: 240V RECEPTACLE USE
 480V 3Ø Y - 240/139V OUTPUT
 208V 3Ø Y - 208/120V OUTPUT
 240V 3Ø D - DO NOT USE
 240V 1Ø DD - DO NOT USE!

--- CUSTOMER SUPPLIED WIRING
 - - - - - LOAD PAN WIRING
 _____ CONTROL PANEL WIRING

- A.C. CONNECTOR (JC)
- CONTROL PANEL TERMINAL POINT (TS)
- VOLTAGE REGULATOR TERMINAL POINT
- ◇ DC CONNECTOR #1 (JA)
- ◇ DC CONNECTOR #2 (JB)
- ⊗ SMMS CONNECTOR (JF)
- ⊕ GPR CONNECTOR (JG)
- ⊞ PMG CONNECTOR (JR)
- ⊞ GEN CONNECTOR (JS)



LERROY-SOMER GENERATOR RECONNECTION
 277/480V, 3Ø, HI-WYE (Y)
 120/208V, 3Ø, LO-WYE (YY)
 120/240V, 3Ø, DELTA (D)
 120/240V, 1Ø, DOUBLE DELTA (DD)
 NOTE: L2 IS HIGH LEG IN 120/240V, 3Ø



GENERATOR RECONNECTION
 277/480V, 3Ø, HI-WYE (Y)
 120/208V, 3Ø, LO-WYE (YY)
 120/240V, 3Ø, DELTA (D)
 120/240V, 1Ø, DOUBLE DELTA (DD)

- CONNECTIONS:**
 T1/L1 TO 34, 38, & 40.
 T2 TO 2 & 4.
 L2 TO 3, 11, 23 & 27.
 T3 TO 14 & 16.
 L3 TO 7, 15 & 19.
 T4 TO 42 & 44.
 T5 TO 25, 29, & 33.
 T6 TO 1, 5, & 9.
 T7 TO 37, 41 & 45.
 T8 TO 26, 28 & 32.
 T9 TO 6, 8 & 12.
 T10 TO 22 & 24.
 T11 TO 18 & 20.
 T12 TO 31, 35 & 39.
 L0 TO 10, 13, 17, 21, 30, 36, 43, & 46.

07/25/13 CORRECT FOR THE WIRING REVISE FOR LEGAL WIRING REVISE FOR PRODUCTION PER PROTOTYPE REDSIGN	02/14/14 D. ROLLING D. ROLLING D. ROLLING	DATE BY FILE PROJECT REFERENCE ALL DIMENSIONS IN INCHES UNLESS OTHERWISE SPECIFIED TOLERANCES: XXX ± 0.100 XXXX ± 0.050 XXXX ± 0.005 ANGULAR ± 1°	DF\47E SCALE/SHEET SIZE 1=1/D SHEET 3 OF 3	PROJECT REFERENCE AFS60741 RENTAL UNITS DRAWN BY D. ROLLING DATE 07/12/2013	QUOTE NUMBER WORK ORDER NUMBER DRAWING NUMBER 47E102C-03
---	--	---	--	--	---

ALTORFER POWER SYSTEMS
 6315 W. FAUBER RD. BARTONVILLE, IL 61607
 PHONE (309) 897-1234 FAX (309) 282-7546

THIS DOCUMENT CONTAINS PROPRIETARY INFORMATION OF ALTORFER, INC. WITHOUT THE WRITTEN PERMISSION OF ALTORFER, INC. ANY COPYING OR OTHER USE EXCEPT THAT FOR WHICH IT WAS INTENDED IS PROHIBITED.

DIAGRAM - WIRING EMCP 4.2