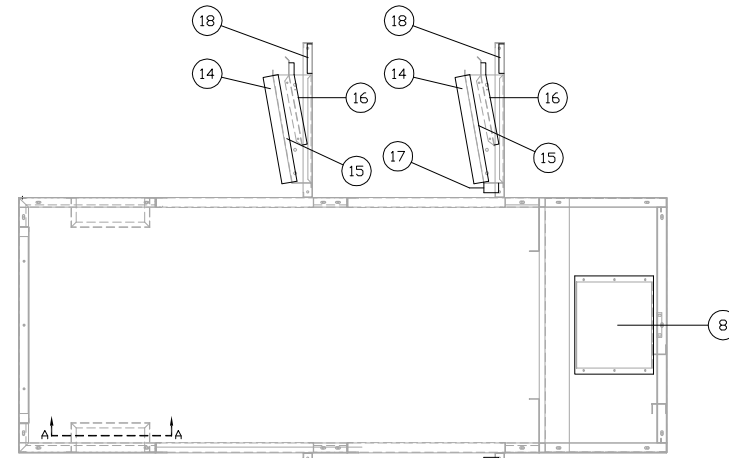
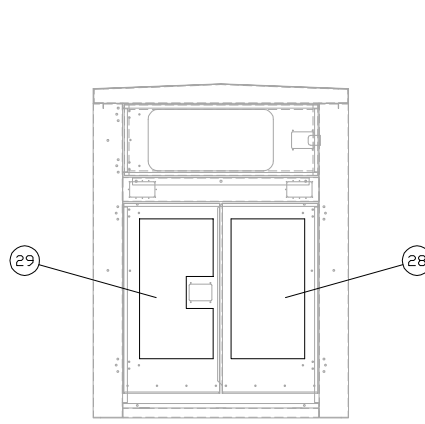


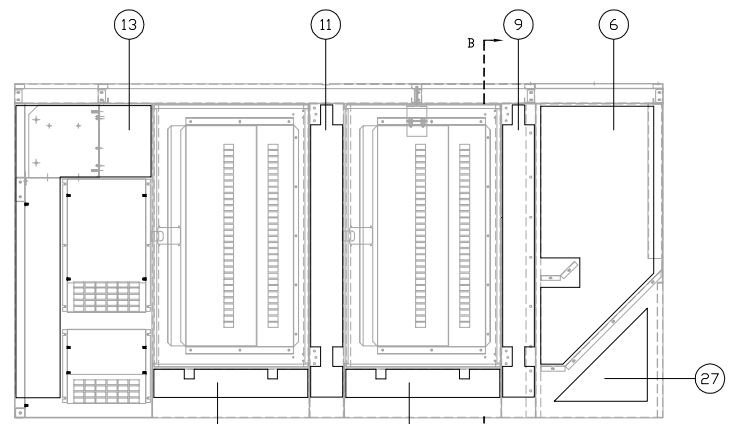
TOP VIEW



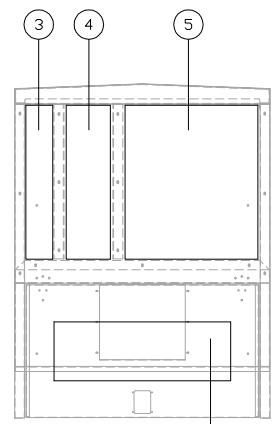
TOP VIEW  
SHOWN WITH ROOF AS REMOVED



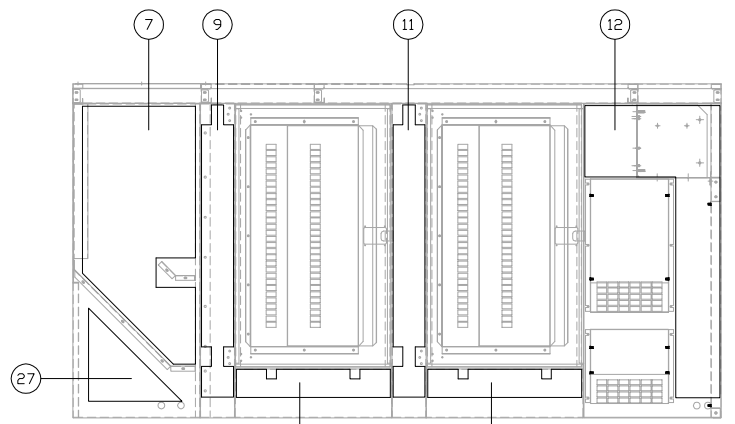
REAR VIEW



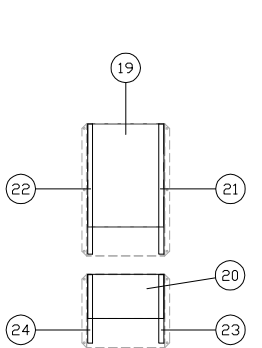
RIGHT SIDE VIEW



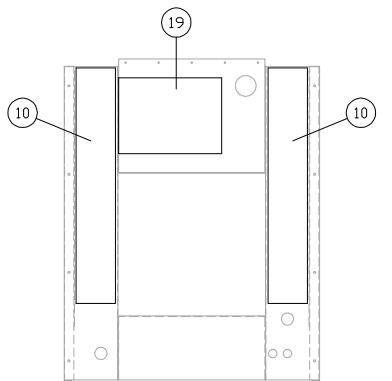
FRONT VIEW



LEFT SIDE VIEW



SECTION A-A  
TYP. BOTH SIDES



SECTION B-B

ITEM	QTY.	PART NO.	DESCRIPTION	WEIGHT
1	1	47D101-1	ROOF FRONT CENTER	-
2	1	49D101-1	ROOF FRONT	-
3	1	49D104-1	DUCT RIGHT TOP	-
4	1	49D105-1	DUCT CENTER TOP	-
5	1	49D106-1	DUCT LEFT TOP	-
6	1	49D107-1	DUCT RIGHT SIDE	-
7	1	49D108-1	DUCT LEFT SIDE	-
8	1	49D125-1	FRONT ACCESS	-
9	2	47D103-1	FRONT CORNER SIDE	-
10	2	49D110-1	FRONT CORNER END	-
11	2	47D104-1	FILLER PANEL	-
12	1	49D112-1	REAR CORNER LEFT SIDE	-
13	1	49D113-1	REAR CORNER RIGHT SIDE	-
14	4	49D114-1	DOOR INTAKE INTERIOR	-
15	4	49D115-1	DOOR INTAKE SOUND BOX	-
16	4	49D116-1	DOOR INTAKE Baffle	-
17	2	49D117-1	DOOR INTAKE RADIATOR	-
18	8	49D118-1	DOOR SKIN	-
19	3	49D119-1	REAR INTAKE UPPER INTERIOR	-
20	2	49D120-1	REAR INTAKE LOWER INTERIOR	-
21	2	49D121-1	REAR INTAKE UPPER LEFT SIDE	-
22	2	49D122-1	REAR INTAKE UPPER RIGHT SIDE	-
23	2	49D123-1	REAR INTAKE LOWER LEFT SIDE	-
24	2	49D124-1	REAR INTAKE LOWER RIGHT SIDE	-
25	4	53D214-1	BELOW DOOR	-
26	1	53D232	DAMPING SHEET BULKHEAD/BATT DOOR	-
27	2	53D233	DAMPING SHEET EXHAUST DUCT	-
28	1	54D115	DAMPING SHEET RIGHT LOAD DOOR	-
29	1	54D116	DAMPING SHEET LEFT LOAD DOOR	-

2 UPDATED 09/11/13 TO QTY 8 1 UPDATED 09/11/13 TO QTY 3 1 UPDATED MATERIAL & PARTS	DATE: 06/11/14 BY: BML	<b>ALTORFER</b> ALTORFER POWER SYSTEMS 8315 W. FAUBER RD. PHONE (309) 697-1234 BARTONVILLE, IL 61607 FAX (309) 282-7546	
	THIS DOCUMENT CONTAINS PROPRIETARY INFORMATION OF ALTORFER, INC. WITHOUT THE WRITTEN PERMISSION OF ALTORFER, INC., ANY COPYING OR OTHER USE EXCEPT THAT FOR WHICH IT WAS INTENDED IS PROHIBITED.		
ALL DIMENSIONS IN INCHES UNLESS OTHERWISE SPECIFIED	FILE: DF/47C	PROJECT REFERENCE: APS60/100 SOUND FOAM ASSEMBLY	
TOLERANCES: .XX ± 0.100 .XXX ± 0.050 .XXXX ± 0.005	THIRD ANGLE PROJECTION	SCALE/SHEET SIZE: 1=20/D	DRAWN BY: BML
ANGULAR ± 1°	SHEET: 1 OF 1	DATE: 09/11/13	WORK ORDER NUMBER
TITLE: APS60/100 SOUND FOAM KIT			DRAWING NUMBER: 47D100-2