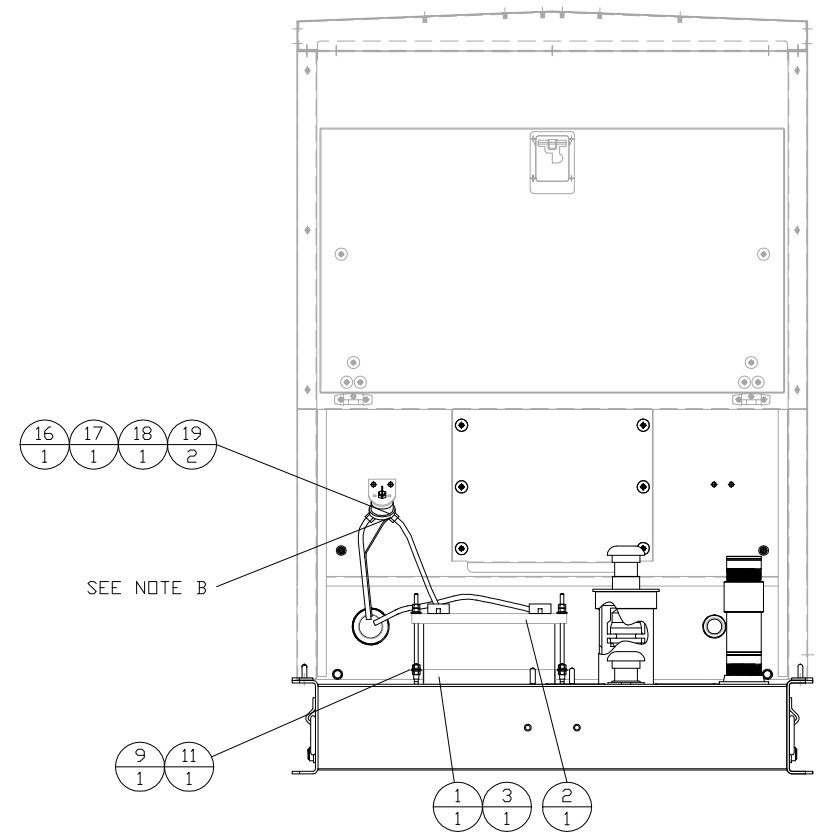
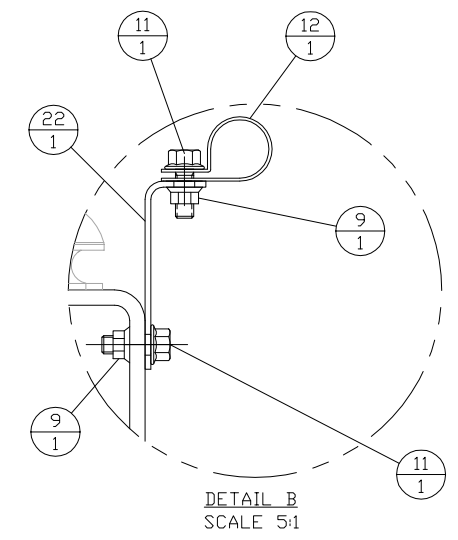
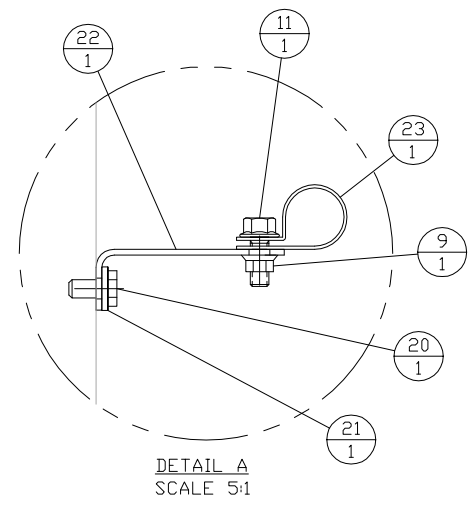
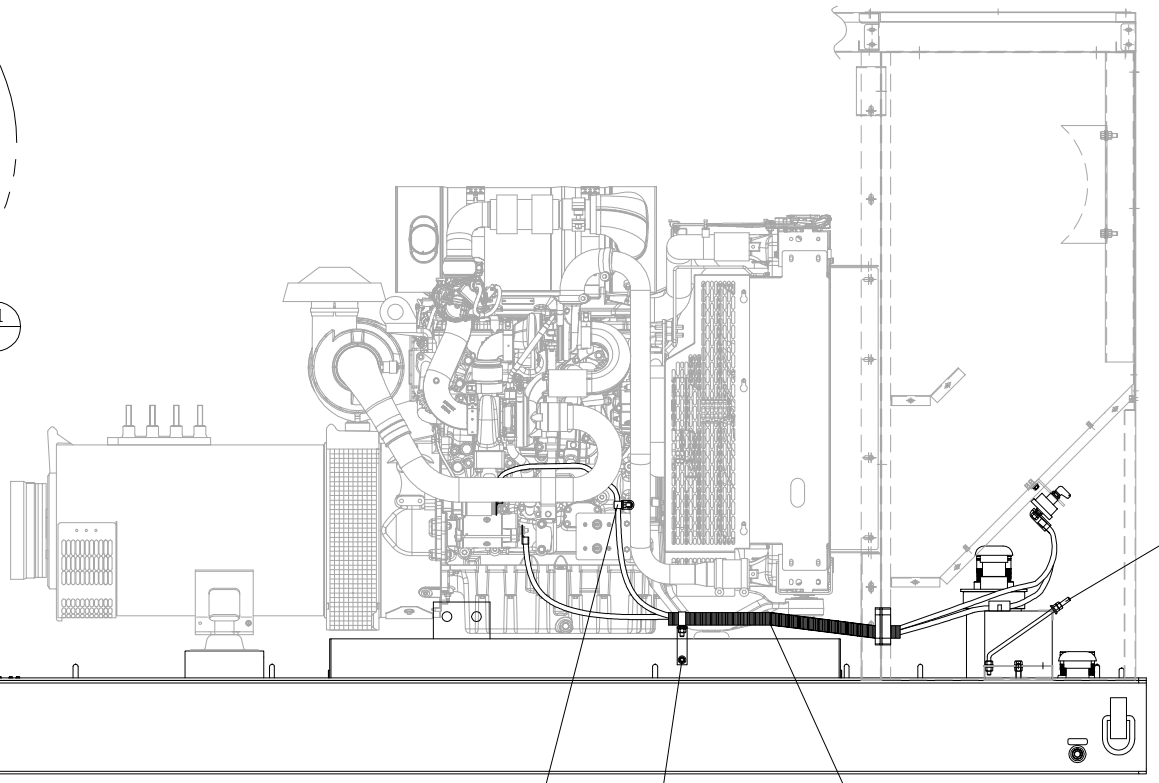


TOP VIEW



FRONT VIEW
SHOWN WITH BATTERY DOOR OPEN

REF. 47A109
BASE MOUNTING GP.



RIGHT SIDE VIEW

ITEM	QTY	DESCRIPTION	WEIGHT
1	1	49C155 - BATTERY BASE	4
2	1	49C156 - BATTERY TIE DOWN	1
3	1	BB12 - BATTERY BOARD 6"x12"	1
4	2	HRACK ROD - 3/8"-16 THREADED ROD 14"Lg	1
5	1	115-2421 - 12V BATTERY	40
6	1	47E147 - BN1 CABLE ASSEMBLY	1
7	1	47E145 - BN2 CABLE ASSEMBLY	7
8	1	47E146 - BP1 CABLE ASSEMBLY	6
9	11	198-2970 - 3/8" FLANGED NUT	-
10	2	8T-4896 - 3/8" FLAT WASHER	-
11	3	345-8531 - 3/8"-16NCX1" FLANGED BOLT	-
12	1	4S-4455 - 1-1/2" VINYL CLAMP	1
13	30"	5N-8359 - 1" WIRE LOOM	-
14	10	9X-6772 - CABLE TIE MEDIUM BLACK 8" Lg	-
15	2	248-4840 - PROTECTIVE CAP	-
16	1	52C148 SWITCH BRACKET	3
17	1	114-8821 - BATTERY SWITCH ON/OFF LABEL	-
18	1	7N-0718 - BATTERY SWITCH ASSEMBLY	5
19	2	5P-2534- 1/4"-20X1" FLANGED HEAD BOLT	-
20	1	8T-4137- M10 X 1.5 BOLT FLANGE HEAD	-
21	1	5P-1075- WASHER (HARD)	-
22	2	9N-1394- L BRACKET	-
23	1	D708790 - 1" VINYL CLAMP	-

ESTIMATED TOTAL WEIGHT 70

NOTE A:
ITEM 5 FREE ISSUED WITH GENERATOR SET.
ITEM 6,7,8 PROVIDED IN BATTERY CABLE KIT (47E148 BM).
ITEM 16 PROVIDED IN THE ENCLOSURE KIT (47C500 BM).
ITEM 17 PROVIDED IN FILM KIT

NOTE B: BOTH BATTERY CHARGES LEADS CONNECTED TO BATTERY SIDE OF DISCONNECT SWITCH

06/24/14 BAL	06/23/14 BAL	04/20/14 DMR	DATE	BY	<p>ALTORFER POWER SYSTEMS 6315 W. FAUBER RD. BARTONVILLE, IL 61607 PHONE (309) 697-1234 FAX (309) 282-7546</p>
PRODUCTION UPDATE	MOVED ITEMS # 16,17 AND 18	REVISE FOR PRODUCTION	CHANGE NOTICE	NO.	
THIS DOCUMENT CONTAINS PROPRIETARY INFORMATION OF ALTORFER, INC. WITHOUT THE WRITTEN PERMISSION OF ALTORFER, INC., ANY COPYING OR OTHER USE EXCEPT THAT FOR WHICH IT WAS INTENDED IS PROHIBITED.					FILE: DF/47A SCALE/SHEET SIZE: 1=10/D SHEET: 1 OF 1
ALL DIMENSIONS IN INCHES UNLESS OTHERWISE SPECIFIED TOLERANCES: X.X ± 0.100 X.XX ± 0.060 X.XXX ± 0.005 ANGULAR ± 1°					PROJECT REFERENCE: ALTORFER RENTAL PACKAGE DRAWN BY: BML DATE: 02/25/14 QUOTE NUMBER: WORK ORDER NUMBER: DRAWING NUMBER: 47A130-03
TITLE: APS60/100 MOUNTING GROUP - STARTING					DRAWING NUMBER: 47A130-03