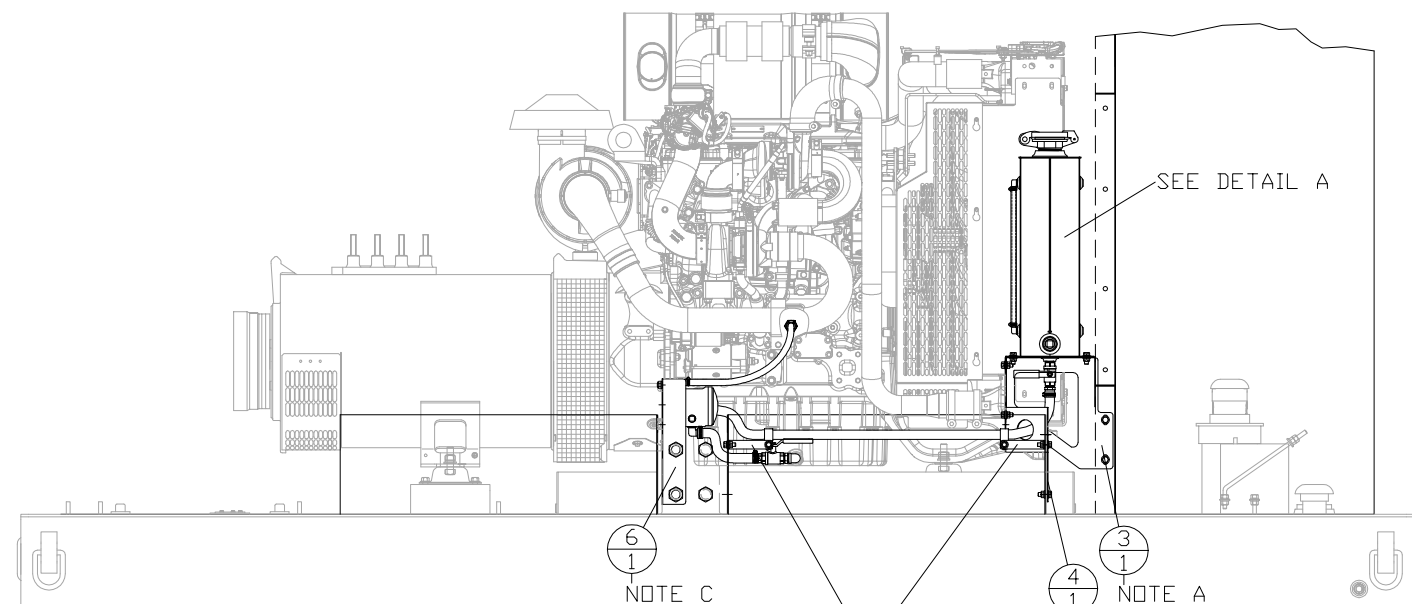
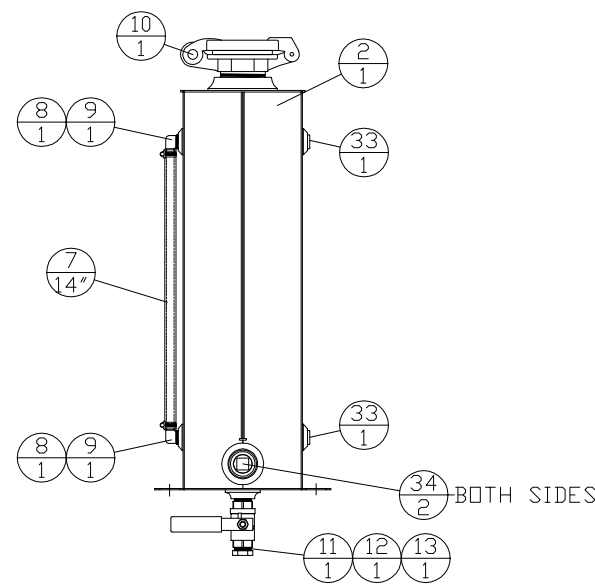


TOP VIEW

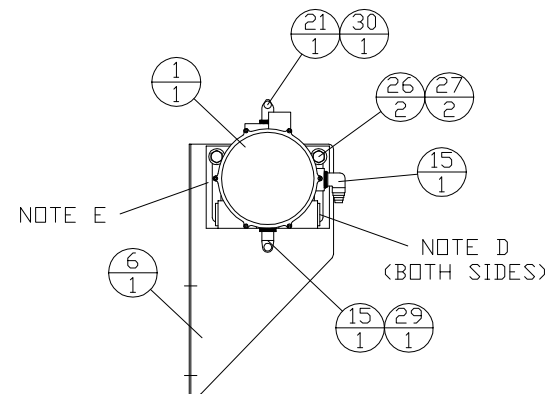
SEE DETAIL B



LEFT VIEW



DETAIL A - SIDE VIEW
OIL MAKE-UP TANK



DETAIL B - FRONT VIEW
OIL REGULATOR

ITEM	QTY.	PART NO.	DESCRIPTION
1	1	LM500	REGULATOR KIT
2	1	47C200	TANK ASSEMBLY-OIL MAKE-UP
3	1	47C201	BRACKET-OIL MAKE-UP TANK
4	1	49C252	SUPPORT-OIL MAKE-UP TANK
5	2	47C203	BRACKET
6	1	47C204	BRACKET-OIL REGULATOR
7	14"	5046K14	TUBING-3/8" CLEAR TYGON PVC TUBING
8	2	53525K57	90° ELBOW-1/2" NPT MALE x 3/8 HOSE BARB
9	2	1P-4278	3/8" CLAMP-HOSE
10	1	4906K11	CAP-VENT/LOCKABLE
11	1	PNPL12C	1/2" NPT CLOSE NIPPLE
12	2	PBBV12	1/2" NPT BALL VALVE
13	2	5346K66	ADAPTER-1/2" NPT x 5/8" HOSE BARB
14	4	5D-1026	1" CLAMP-HOSE
15	2	53525K23	ELBOW-1/2 NPT x 5/8 HOSE BARB
16	1	50925K114	ELBOW-1/2 NPT MALE x 1/2 NPT MALE
17	1	421405	ADAPTER-3/4 STOR MALE x 1/2 NPT FEMALE
18	1	8L-2786	SEAL - O-RING
19	60"	6V-8843	HOSE-5/8 SILICONE
20	24"	6V-8843	HOSE-5/8 SILICONE
21	1	53525K17	ELBOW-1/4 NPT x 3/8 HOSE BARB
22	1	4936K159	ADAPTER-1/2" NPT FEMALE x M18 STOR MALE
23	1	53525K57	ELBOW-1/2" NPT MALE x 3/8 HOSE BARB
24	24"	5P-1442	HOSE-3/8 VENT
25	2	262-0491	7/8" CLAMP-HOSE
26	10	345-8531	BOLT 3/8-16X1 FLANGED
27	10	198-2970	NUT 3/8-16 FLANGED
28	2	0708790	1" P-CLIP
29	1	PHB1234	BUSHING-3/4 NPT x 1/2 NPT
30	1	PHB1412	BUSHING-1/4 NPT x 1/2 NPT
31	1	ECHA24112	OZ BUSHING-1 1/2" FEMALE
32	1	ECHA1112	OZ BUSHING-1 1/2" MALE
33	2	8T-6762	1/2" FEMALE NPT PIPE PLUG (RECESSED)
34	2	108-5794	3/4" MALE NPT PIPE PLUG (RECESSED)

- NOTE A: MOUNT BRACKET 47C201-1 USING EXISTING LOWER RADIATOR PANEL ASSEMBLY BOLTS IN VERTICAL INTERIOR PANEL SEAM
- NOTE B: MOUNT BRACKETS 49C252-2 & 47C203 USING EXISTING LOWER ACCESS DOOR PANEL ASSEMBLY BOLTS IN VERTICAL INTERIOR PANEL SEAM
- NOTE C: MOUNT BRACKET 47C204-1 USING EXISTING LOWER REAR LIFT ARCH MOUNTING BOLTS RE-TORQUE LIFTING ARCH MOUNTING BOLTS TO 370 Nm
- NOTE D: INSTALL 3/4" PIPE PLUGS RECEIVED WITH (LM500) REGULATOR KIT
- NOTE E: MOUNT OIL REGULATOR LM500 ON THE BOTTOM HOLES OF MOUNT BRACKET 47C204-1
- NOTE F: APPLY THREAD SEALANT TO ALL FITTINGS

07/16/14 BML	04/20/14 BML	04/20/14 BML	DATE BY	ALTORFER POWER SYSTEMS 6315 W. FAUBER RD. PHONE (309) 697-1234 BARTONVILLE, IL 61607 FAX (309) 282-7546
UPDATED ITEM #8 & 33	UPDATED ITEM #6	PRODUCTION UPDATE	CHANGE NOTICE	
THIS DOCUMENT CONTAINS PROPRIETARY INFORMATION OF ALTORFER, INC. WITHOUT THE WRITTEN PERMISSION OF ALTORFER, INC., ANY COPYING OR OTHER USE EXCEPT THAT FOR WHICH IT WAS INTENDED IS PROHIBITED				FILE
ALL DIMENSIONS IN INCHES UNLESS OTHERWISE SPECIFIED				DF/47A
TOLERANCES: X.X ± 0.100 X.XX ± 0.060 X.XXX ± 0.005		THIRD ANGLE PROJECTION	SCALE/SHEET SIZE	PROJECT REFERENCE
ANGULAR ± 1°			1=20/B	DRAWN BY
TITLE		1 OF 1		BML
APS60-100 MOUNTING GROUP OIL RECOVERY		DATE		QUOTE NUMBER
		02/06/14		WORK ORDER NUMBER
				DRAWING NUMBER
				47A129-3