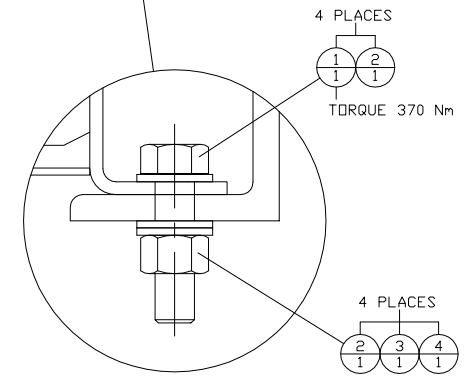
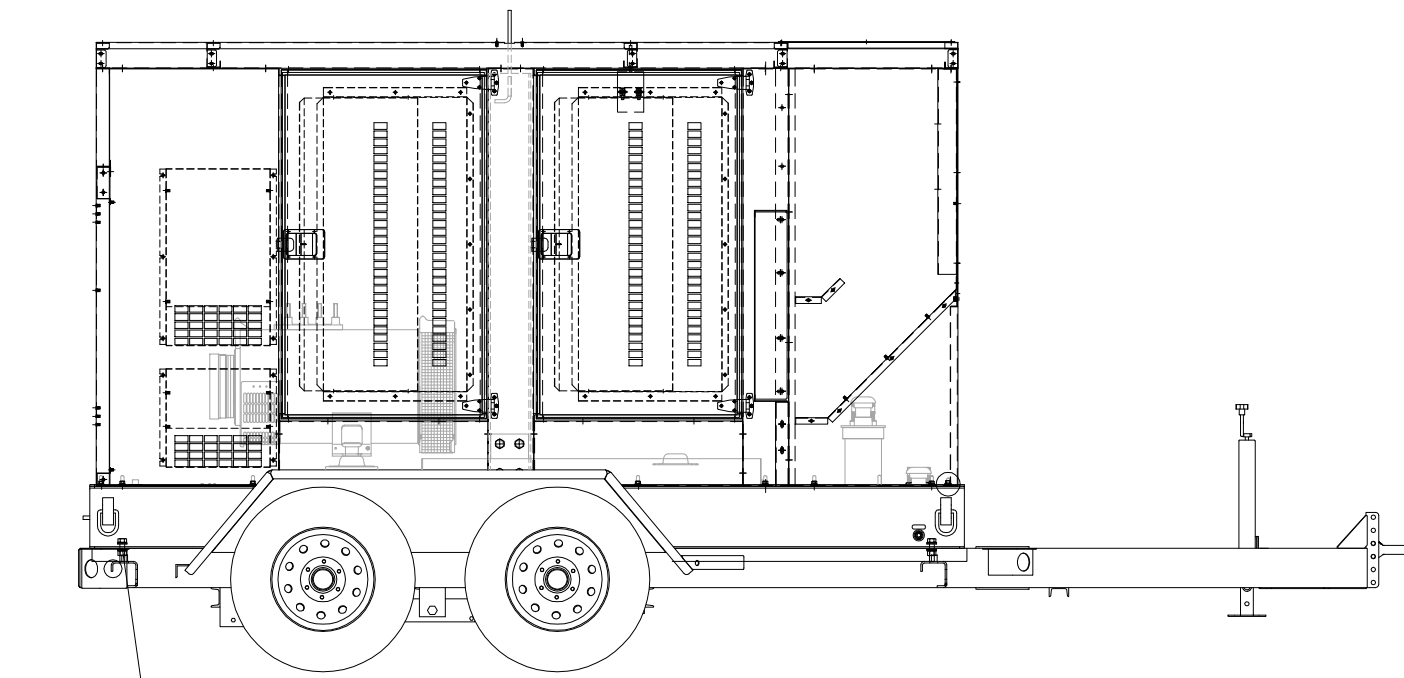
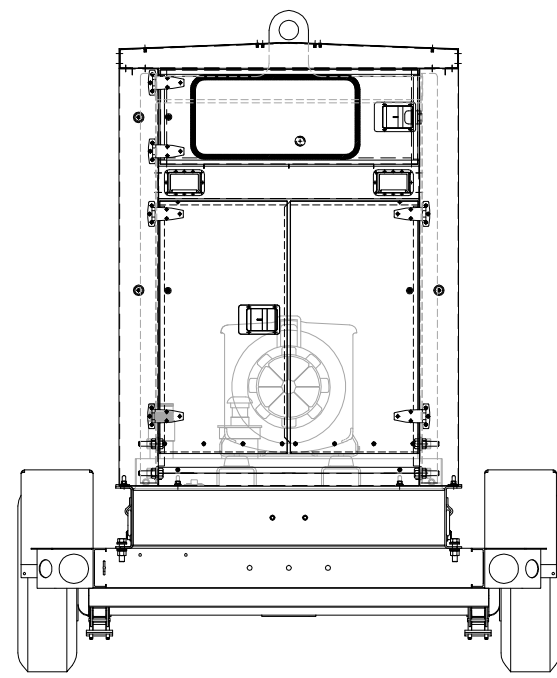
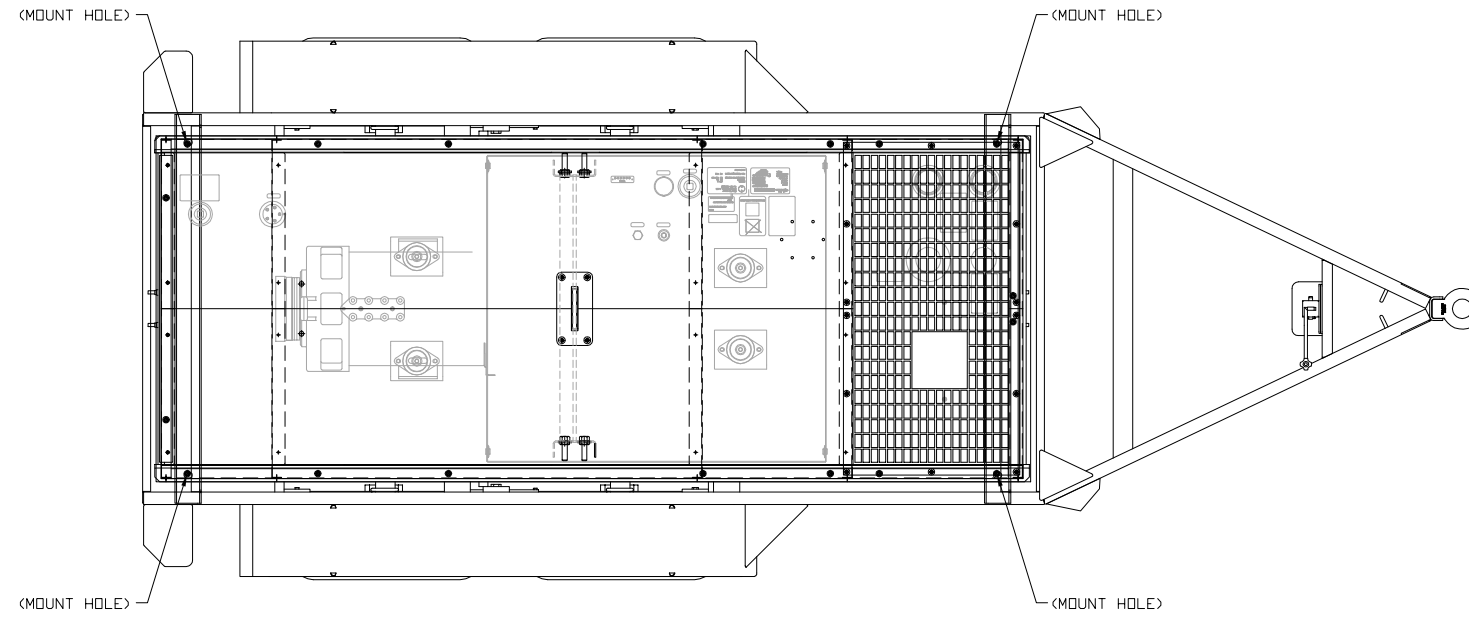


ITEM	QTY.	DESCRIPTION
1	4	8T-8924 - 3/4"-10NCx2.50" BOLT
2	8	8T-4994 - 3/4" FLAT WASHER
3	4	3B-4512 - 3/4" LOCK WASHER
4	4	6V-8182 - 3/4"-10NC NUT



04/25/14 DATE BY		ALTORFER 6315 W. FAUBER RD. PHONE (309) 697-1234 BARTONVILLE, IL 61807 FAX (309) 282-7546		
REVISION FOR PRODUCTION CHANGE NOTICE	THIS DOCUMENT CONTAINS PROPRIETARY INFORMATION OF ALTORFER, INC. WITHOUT THE WRITTEN PERMISSION OF ALTORFER, INC., ANY COPYING OR OTHER USE EXCEPT THAT FOR WHICH IT WAS INTENDED IS PROHIBITED.	FILE DF/47A	PROJECT REFERENCE APS60-100 RENTAL PACKAGE	
	ALL DIMENSIONS IN INCHES UNLESS OTHERWISE SPECIFIED	SCALE/SHEET SIZE 1=15/D	DRAWN BY BML	
	TOLERANCES: .XX ± 0.100 ANGLE .XX ± 0.060 THIRD ANGLE PROJECTION .XXX ± 0.005	SHEET 1 OF 1	DATE 11/25/13	QUOTE NUMBER - WORK ORDER NUMBER -
	ANGULAR ± 1°	TITLE APS60-100 TRAILER MOUNTING GROUP	DRAWING NUMBER 47A126-01	