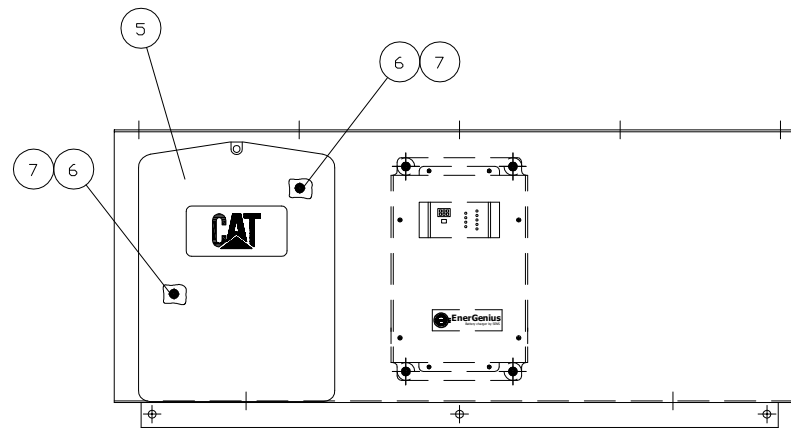
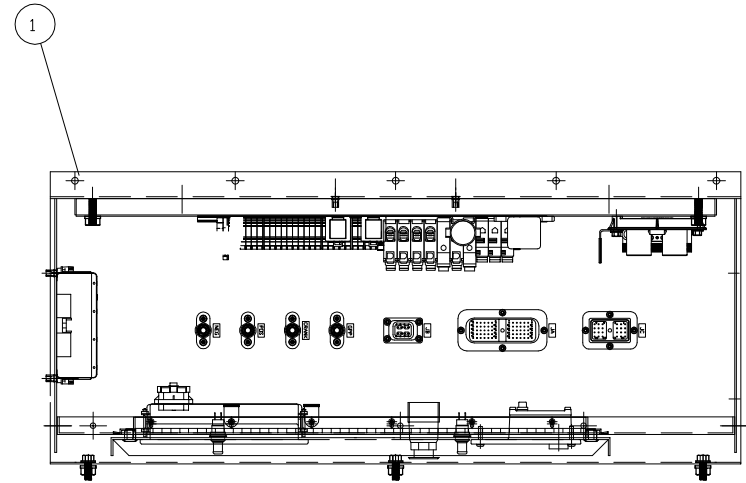
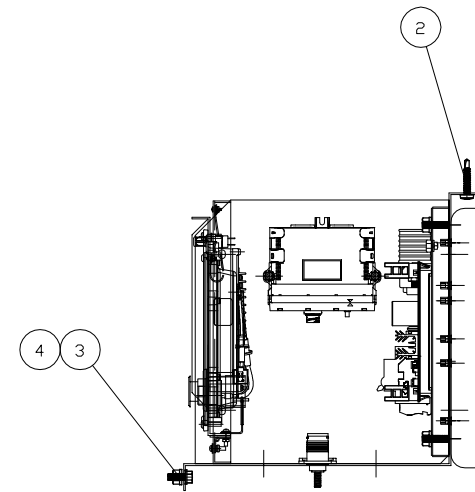
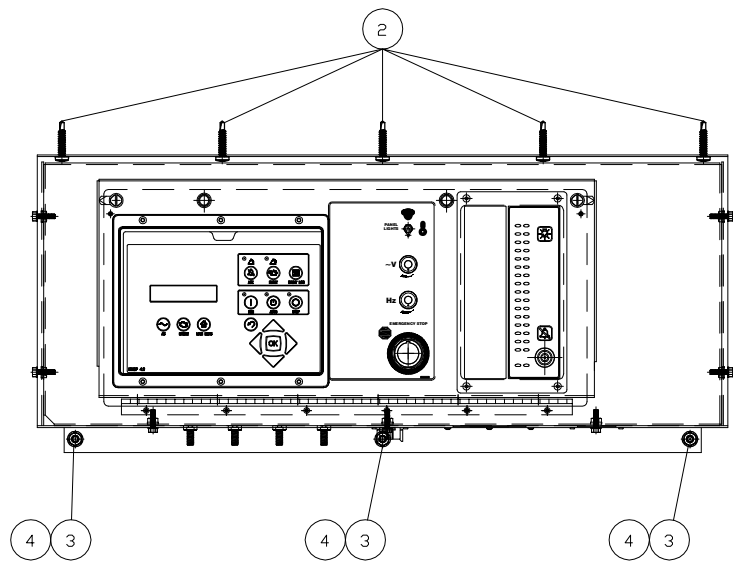


INCH 47A118-01

ITEM	QTY.	PART NO.	DESCRIPTION
1	1	47E100-02	CONTROL PANEL
2	5	KB-100	1/4" PAN HEAD ZIP SCREW
3	3	345-8531	3/8"-16 X 1" FLANGE HEAD BOLT
4	3	198-2970	3/8"-16 FLANGE HEAD NUT
5	1	194-4184	DOCUMENT BOX
6	2	114-0103	1/4"-20 X 5/8" SCREW
7	2	317-5700	1/4" WASHER - SS NEOPRENE



BACK SIDE



04/20/14
D. ROLING
DATE BY



ALTORFER POWER SYSTEMS

6315 W. FAUBER RD. PHONE (309) 697-1234
BARTONVILLE, IL 61607 FAX (309) 282-7546

THIS DOCUMENT CONTAINS PROPRIETARY INFORMATION OF ALTORFER, INC. WITHOUT THE WRITTEN PERMISSION OF ALTORFER, INC., ANY COPYING OR OTHER USE EXCEPT THAT FOR WHICH IT WAS INTENDED IS PROHIBITED

REVISION NO.	CHANGE NOTICE	ALL DIMENSIONS IN INCHES UNLESS OTHERWISE SPECIFIED	FILE DF/47A	PROJECT REFERENCE APS60-100 RENTAL PACKAGE		
		TOLERANCES: X.X ± 0.100 X.XX ± 0.060 X.XXX ± 0.005	THIRD ANGLE PROJECTION	SCALE/SHEET SIZE NO SCALE	DRAWN BY BML	QUOTE NUMBER -
		ANGULAR ± 1°		SHEET 1 OF 1	DATE 09/20/13	WORK ORDER NUMBER -
		TITLE APS60-100 CONTROL PANEL MOUNTING GROUP	DRAWING NUMBER 47A118-01			