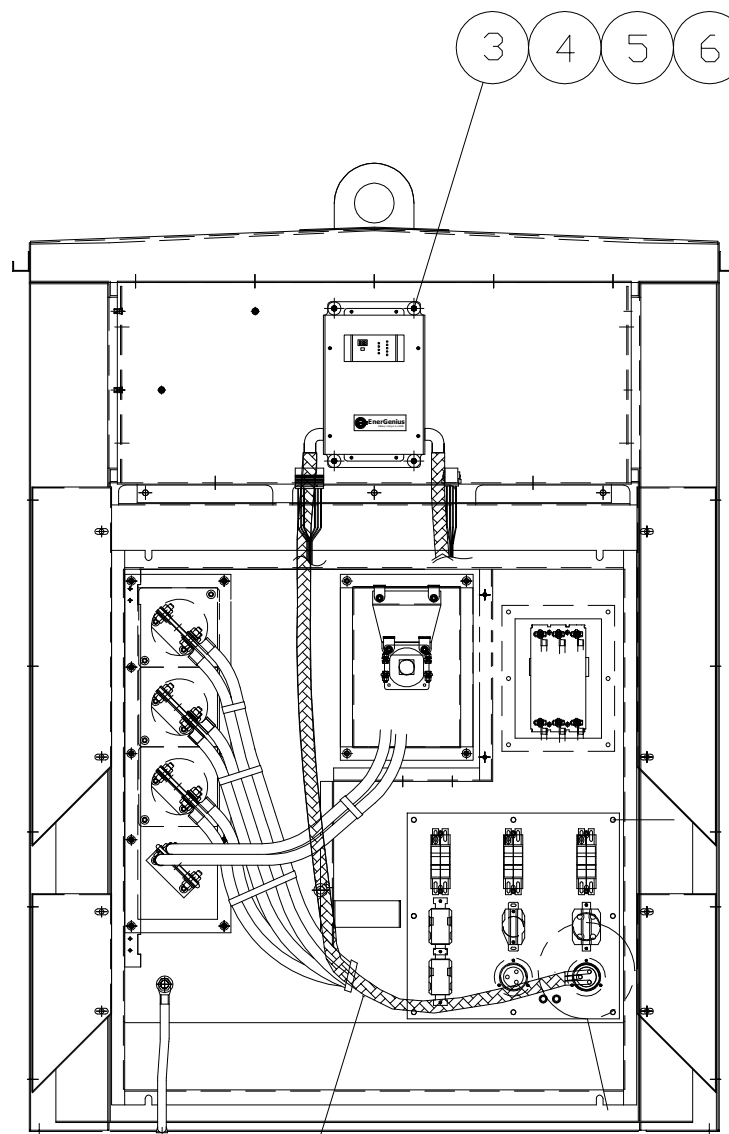
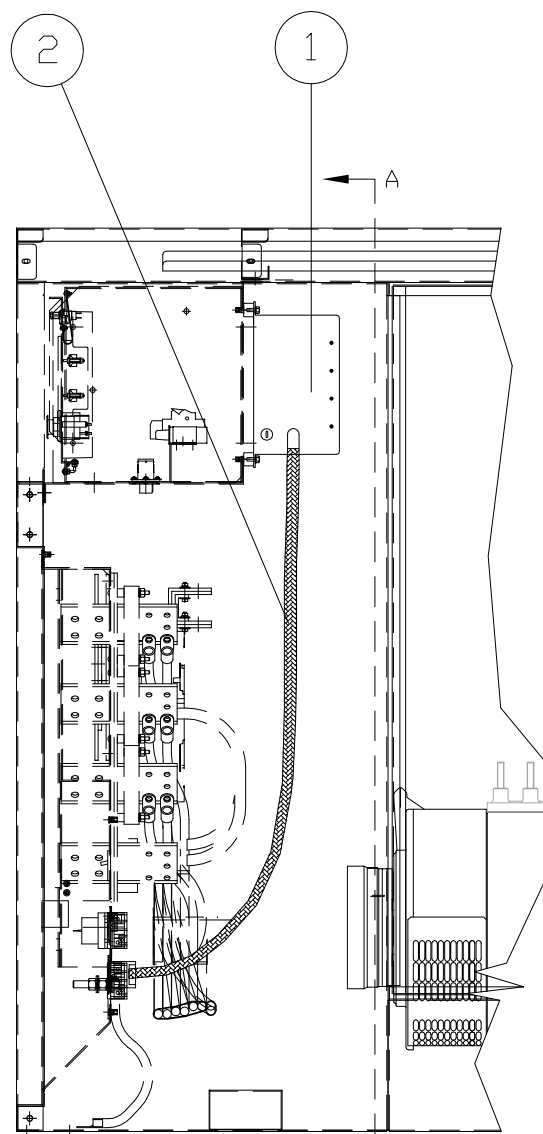


INCH 47A116-02

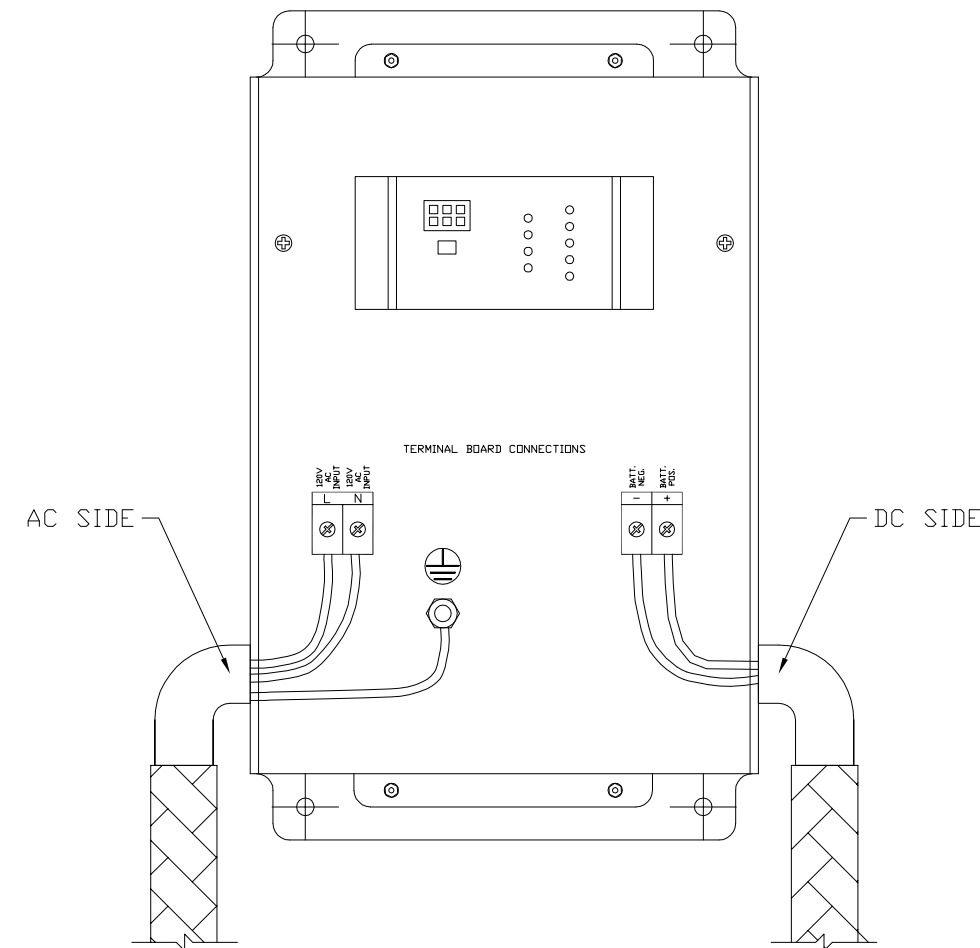
ITEM	QTY.	PART NO.	DESCRIPTION
1	1	NRG12-10-RC	BATTERY CHARGER
2	1	48E123	BATTERY CHARGER A.C. HARNESS
3	4	317-5698	1/4" SS LOCK WASHER
4	4	104-6564	MOUNT - SANDWICH
5	4	5S-7349	1/4-20 X 1/2" BOLT
6	4	224-6797	1/4" SS FLATWASHER



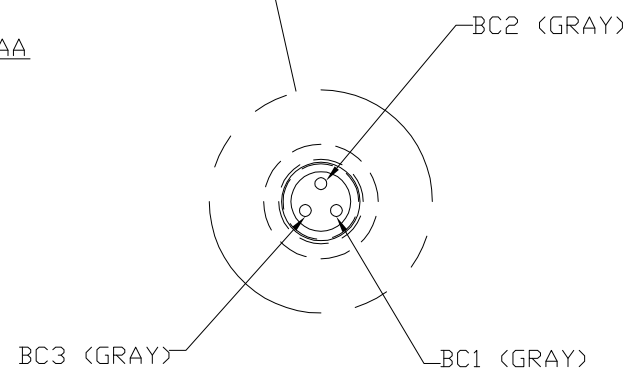
SECTION AA



RIGHT SIDE VIEW



FRONT VIEW (BATTERY CHARGER)
SCALE 5:1



6/12/14 PDP	DATE BY	ALTORFER		6315 W. FAUBER RD. BARTONVILLE, IL 61607		PHONE (309) 697-1234 FAX (309) 282-7546	
3/25/14 D. ROLING				THIS DOCUMENT CONTAINS PROPRIETARY INFORMATION OF ALTORFER, INC. WITHOUT THE WRITTEN PERMISSION OF ALTORFER, INC., ANY COPYING OR OTHER USE EXCEPT THAT FOR WHICH IT WAS INTENDED IS PROHIBITED			
CHANGE ITEM 2 - HARNESS REMOVED 90° FLEX CONN. REVISE FOR PRODUCTION	CHANGE NOTICE	ALL DIMENSIONS IN INCHES UNLESS OTHERWISE SPECIFIED	FILE DF\47A	PROJECT REFERENCE APS60/100 RENTAL PACKAGES			
		TOLERANCES: X.X ± 0.100 X.XX ± 0.060 X.XXX ± 0.005	THIRD ANGLE PROJECTION	SCALE/SHEET SIZE 1=15/B	DRAWN BY D. ROLING		QUOTE NUMBER
		ANGULAR ± 1°		SHEET 1 OF 1	DATE 08/22/2013		WORK ORDER NUMBER
		TITLE APS60/100 BATTERY CHARGER MOUNTING GROUP					DRAWING NUMBER 47A116-02