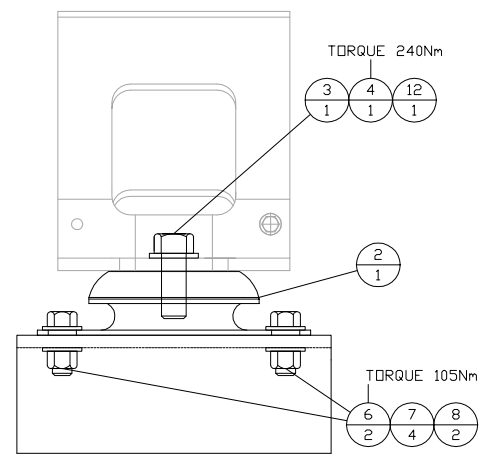
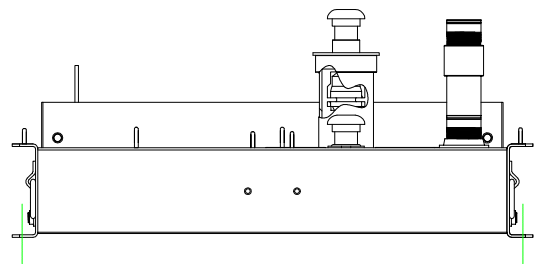
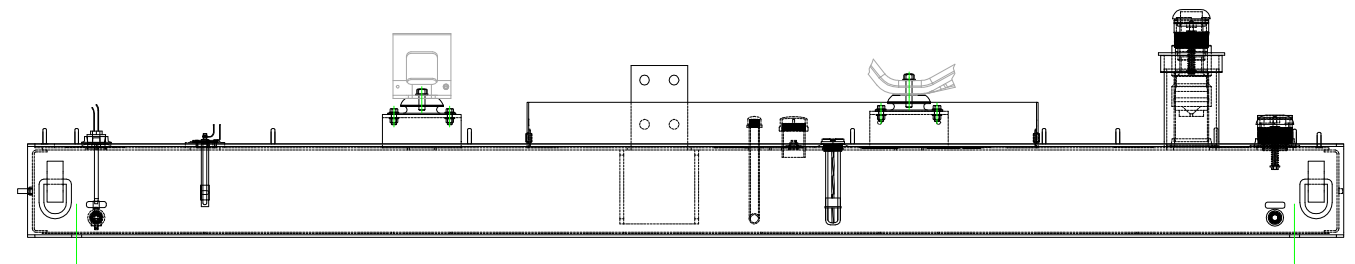
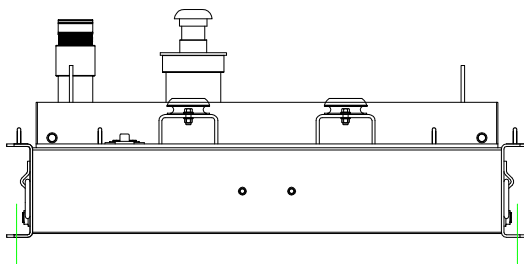
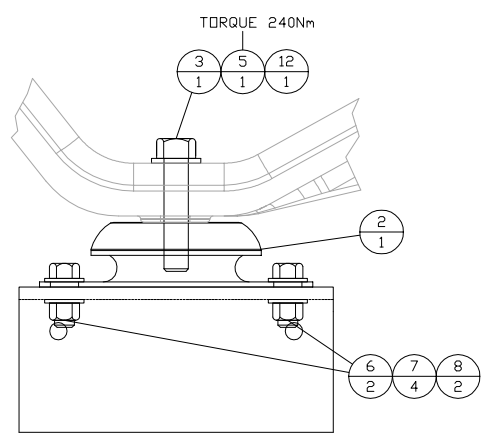


ITEM	QTY.	DESCRIPTION	WEIGHT
1	1	47B130 - APS60-100 UAI BASE ASSEMBLY	1,716
2	4	266-2819 - MOUNT ASSEMBLY (ISOLATORS)	2
3	4	8T-4122 - FLAT WASHER	-
4	2	7X-2553 - BOLT M16-2x40mm	-
5	2	8T-4140 - BOLT M16x2-60mm	-
6	8	8T-8917 - BOLT 1/2"x13NCx1.25"Lg	-
7	16	8T-4223 - FLAT WASHER	-
8	8	6V-8188 - NUT 1/2"x13NC	-
9	1	47E206 - RUPTURE ALARM SWITCH	2
10	1	F8680L75 - FUEL LEVEL GAUGE	1
11	1	47E207 - FUEL LEVEL SENDER	2
12	4	3B-4510 - LOCK WASHER	-
TOTAL			1,725

APS60 POWER PACKAGE WEIGHT = 2,290 lbs
 APS100 POWER PACKAGE WEIGHT = 2,690 lbs



VIEW A-A (GENERATOR MOUNT) x 2 PLACES
SCALE=4:1



VIEW B-B (ENGINE MOUNT) x 2 PLACES
SCALE=4:1

NO.	CHANGE NOTICE	DATE	BY
4	ADDED ITEM 12	06/06/14	BML
3	UPDATED ITEM 3 AND 11	05/19/14	BML
2	UPDATED FOR PROD.	04/17/14	BML
1	UPDATED HARDWARE	02/21/14	BML

ALTORFER

6315 W. FAUBER RD. BARTONVILLE, IL 61607

PHONE (309) 697-1234 FAX (309) 282-7546

ALTORFER POWER SYSTEMS

THIS DOCUMENT CONTAINS PROPRIETARY INFORMATION OF ALTORFER, INC. WITHOUT THE WRITTEN PERMISSION OF ALTORFER, INC., ANY COPYING OR OTHER USE EXCEPT THAT FOR WHICH IT WAS INTENDED IS PROHIBITED

FILE	DF/47A	PROJECT REFERENCE	APS60-100 RENTAL PACKAGE	
TOLERANCES:	X.X ± 0.100	SCALE/SHEET SIZE	1=10/D	
	X.XX ± 0.060	SHEET	1 OF 1	
	X.XXX ± 0.005	DATE	11/01/13	
ANGULAR ± 1°		DRAWN BY	BML	
TITLE	MOUNTING GROUP - FUEL BASE APS60-100		QUOTE NUMBER	-
		WORK ORDER NUMBER	-	
		DRAWING NUMBER	47A109-4	