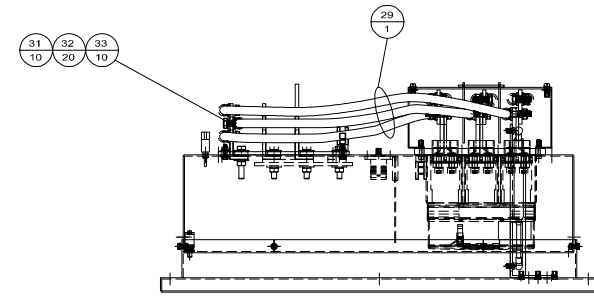


INCH 71E119-01



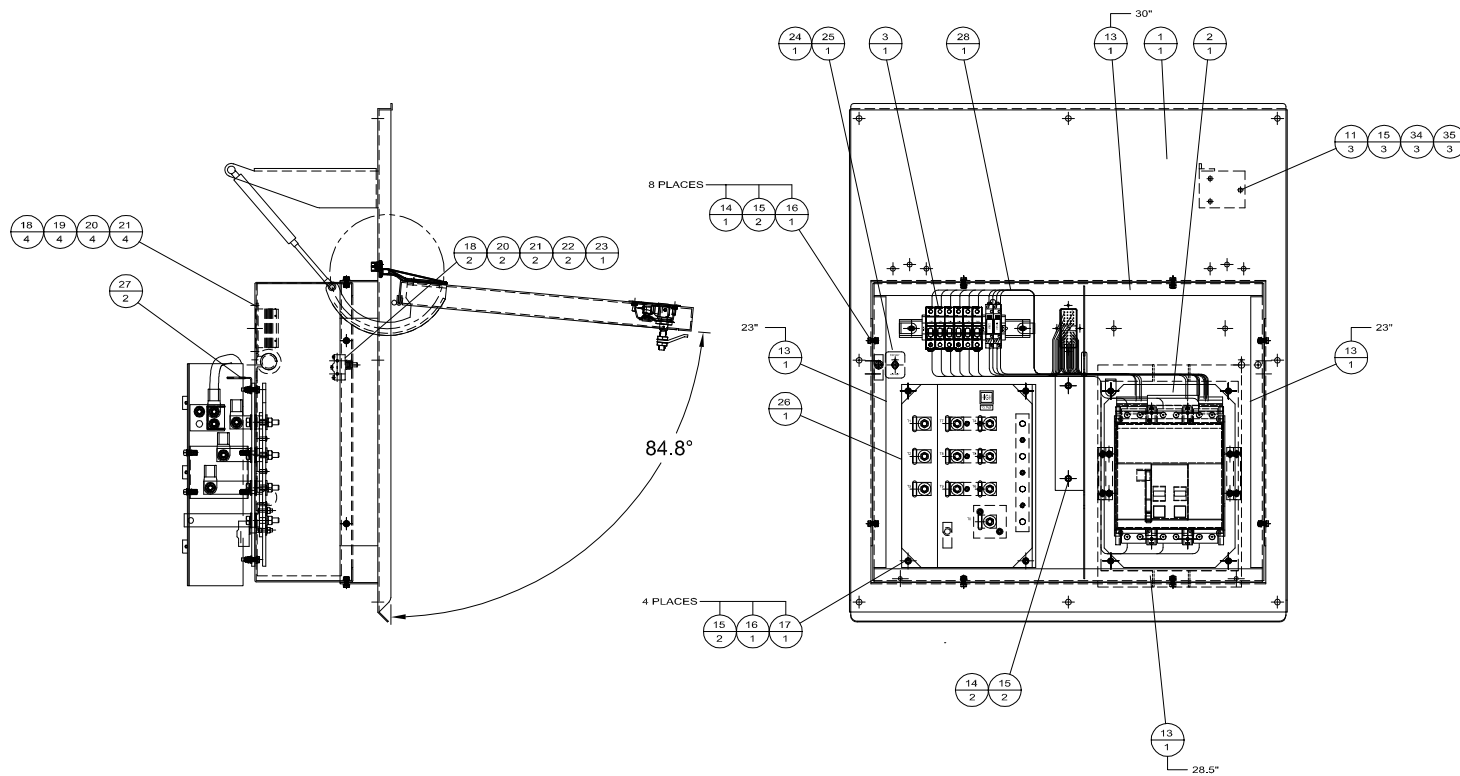
TOP VIEW

TORQUE VALUES

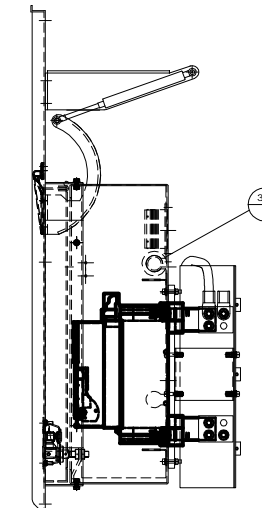
- 1/4" - 12 ± 3Nm
- M6 - 12 ± 3Nm
- #6-32 - 2.1 ± 0.4Nm
- M10 - 55 ± 10Nm

NO.	ITEM	QTY	MEAS. UNIT	CAT. PART NO.	ALTORFER PART NO.	NAME
1	1			68E408		SUB-ASSEMBLY - CB & C/O BOARD PAN
2	1			71E120		CIRCUIT BREAKER GP. 1200A
3	1			68E328		TERMINAL STRIP ASSEMBLY
4	1			68E425		BLACK DOOR LATCH (T-HANDLE)
5	1			68E429		DOOR SPRING GP.
6	2		317-5796	BLACK HINGE		XQ DOOR HINGE
7	2		317-5797			GASKET - HINGE
8	2		317-5798			GASKET - HINGE
9	12		317-5697	51482		SCREW - COUNTERSUNK 1/4-20x1Lg SS
10	3		317-5700	276420		NEOPRENE FLATWASHER
11	9		6V-8185			NUT - 1/4-20
12	29	in	3E-6697			TRIMLOK - BEADED
13	104.5	in		D-2685		DOOR GASKET - 3/4"
14	10		5C-9553			BOLT - M6X1 16MM LONG
15	29		8T-4205			WASHER - HARD (M6-1/4")
16	12		5C-2890			NUT - M6X1
17	4		8T-4971			BOLT - M6X1 30MM LONG
18	6		4B-2041			NUT - 6-32
19	4		9X-6257			SCREW - MACHINE 6-32 X 5/8" LONG
20	6		6V-9499			WASHER - HARD #6
21	6		3B-4501			WASHER - LOCK #6
22	2		2N-3477			SCREW - #6-32 X 1.25"
23	1			6X288		SAFETY SWITCH
24	1		139-2118			SWITCH ASSEMBLY - VFSS
25	1			68E361		FILM - VFSS SELECTOR SWITCH
26	1			68E316		CHANGEOVER BOARD ASSEMBLY
27	2		156-6175			CLIP-LADDER M6
28	1			68E360		HARNES - CB & C/O MODULE
29	1			70E322		CABLE GROUP - C/O BOARD TO C.B.
30	1		2U-3085			GROMMET
31	10		8T-4195			BOLT - M10X1.5 - 30MM LONG
32	20		8T-4121			WASHER - HARD M10
33	10		8T-4133			NUT - M10X1.5
34	3			90185A540		1/4"-20THDx0.75" CARRIAGE BOLT
35	6			317-5698		WASHER - LOCK
36	1			0221241		WHITE SIKAFLEX - TUBE

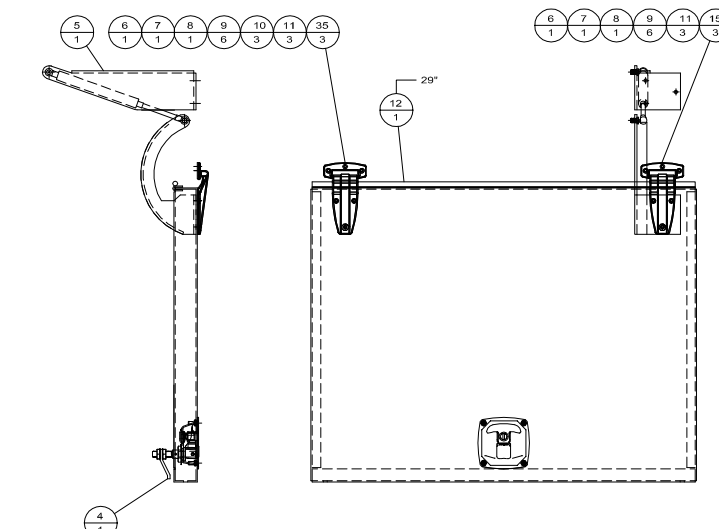
ASSEMBLY WEIGHT: 184 Lbs



FRONT VIEW



RIGHT SIDE VIEW



DOOR ASSEMBLY VIEW

LEFT SIDE VIEW

FOR USE WITH:
APS470G

REFERENCE ASSEMBLY DWG 68E424

12/20/16 DKR DATE	DATE BY	ALTORFER		ALTORFER POWER SYSTEMS	
		6315 W. FAUBER RD. BARTONVILLE, IL 61607		PHONE (309) 697-1234 FAX (309) 282-7546	
THIS DOCUMENT CONTAINS PROPRIETARY INFORMATION OF ALTORFER, INC. WITHOUT THE WRITTEN PERMISSION OF ALTORFER, INC., ANY COPYING OR OTHER USE EXCEPT THAT FOR WHICH IT WAS INTENDED IS PROHIBITED					
ALL DIMENSIONS IN INCHES UNLESS OTHERWISE SPECIFIED		FILE	PROJECT REFERENCE		
		DF/71E	APS470G		
TOLERANCES: X.X ± 0.100 X.XX ± 0.060 X.XXX ± 0.005		SCALE/SHEET SIZE	DRAWN BY		QUOTE NUMBER
ANGULAR ± 1°		1=15/B	D. RICHARDSON		-
THIRD ANGLE PROJECTION		SHEET	DATE		WORK ORDER NUMBER
1 OF 1		8/6/2016		-	
TITLE		MODULE GP. - C.B. & CHANGEOVER BOARD			DRAWING NUMBER
					71E119-01