

INCH 71E101-02

TORQUE VALUES

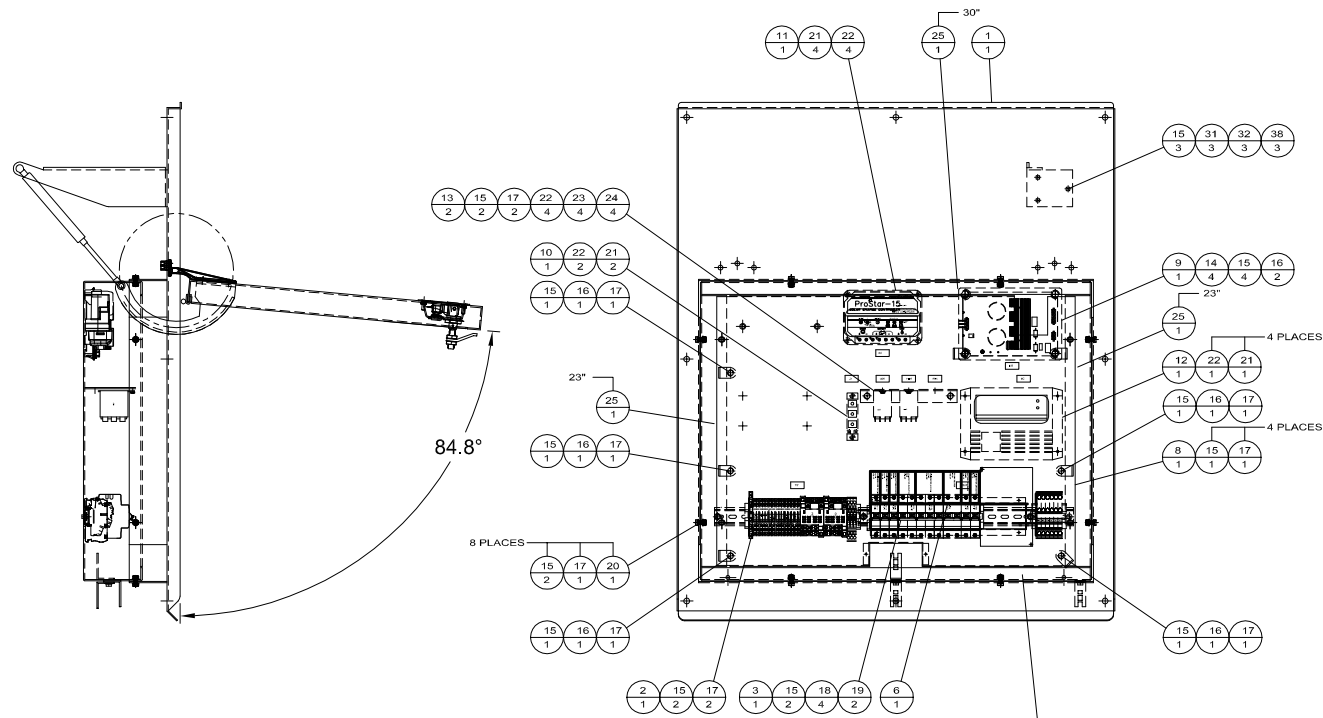
1/4" - 12 ± 3Nm
M6 - 12 ± 3Nm
#6-32 - 2.1 ± 0.4Nm
M4 - 1.7 ± 0.4Nm

NO. ITEM	QTY	MEAS UNIT	CAT PART NO.	ALTORFER PART NO.	NAME
PARTS LIST					
1	1			71E102	POWER DISTRIBUTION METAL GP
2	1			71E105	BLOCK AS. - DC DISTRIBUTION
3	1			71E107	BLOCK AS. - AC DISTRIBUTION
4	1			68E425	BLACK DOOR LATCH (T-HANDLE)
5	1			68E429	DOOR SPRING GP.
6	1			71E109	FILM - IDENT (DC/AC BLOCK AS)
7	1			68E351	FILM - IDENT COMPONENT
8	1			71E104	DEADFRONT - POWER DISTRIBUTION
A 9	1		398-7247		REGULATOR GP (IVR EM10)
10	1		462-9238		DIODE
11	1		363-0371		SOLAR CONTROLLER
12	1			68E396	BATTERY CHARGER
13	2		138-3809		RELAY - POWER
14	4		8C-8451		BOLT - M6x1 - 40Lg
15	44		8T-4205		WASHER
16	11		156-6175		CLIP - LADDER
17	23		8T-4138		BOLT - M6x1 - 20Lg
18	4		198-4765		SPACER
19	2		8T-4971		BOLT - M6x1 - 30Lg
20	10		5C-2890		NUT - M6x1
21	10		6V-9492		BOLT M4X0.7 20Lg
22	14		3B-4501		WASHER M4
23	4		6V-9672		BOLT M4X0.7 16Lg
24	4		5C-8312		NUT M4x0.7
25	104.5	in		D-2685	DOOR GASKET - 3/4"
26	2		317-5796	BLACK HINGE	XQ DOOR HINGE
27	2		317-5798		GASKET - HINGE
28	2		317-5797		GASKET - HINGE
29	12		317-5697	51482	SCREW- COUNTERSUNK 1/4-20x1Lg SS
30	3		317-5700	276420	NEOPRENE FLATWASHER
31	9		6V-8185		NUT - 1/4-20
32	3			90185A540	1/4"-20THDx0.75" CARRIAGE BOLT
33	29	in	3E-6697		TRIMLOK - BEADED
34	50	in	3E-6600		TRIMLOK
35	1			71E117	HARNES AS. - MAIN DC
36	1			71E135	HARNES AS. - IVR AC
37	1			71E118	HARNES AS. - SHORE POWER
38	6		317-5698		WASHER - LOCK
39	1			0221241	WHITE SIKAFLEX - TUBE

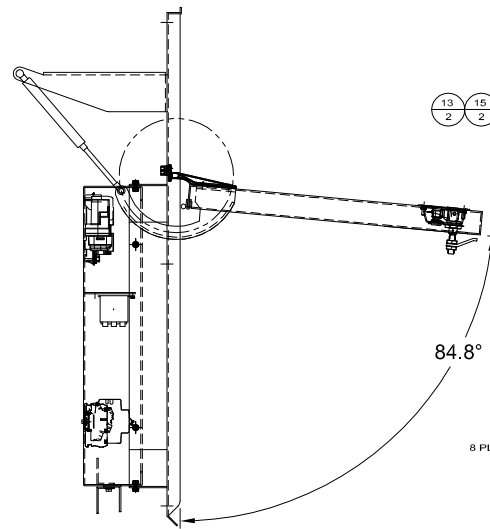
ASSEMBLY WEIGHT: 161 Lbs



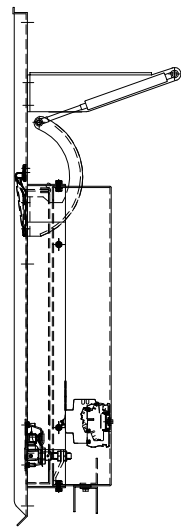
TOP VIEW



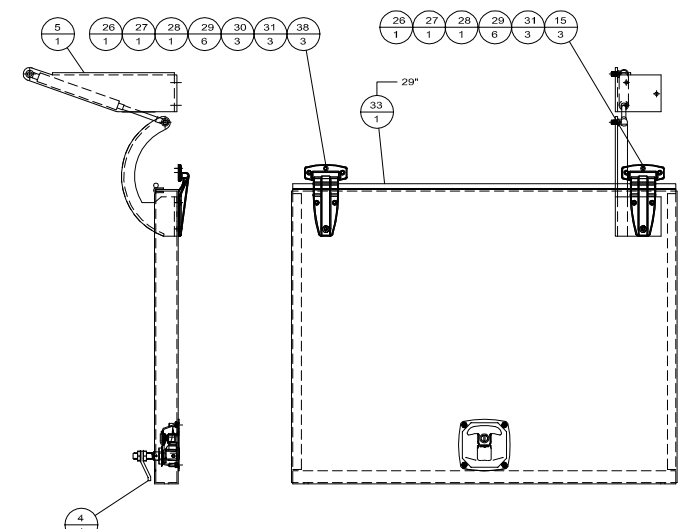
FRONT VIEW DOOR REMOVED



LEFT SIDE VIEW



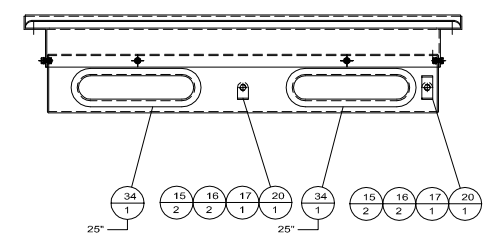
RIGHT SIDE VIEW



DOOR ASSEMBLY VIEW

NOTE A: SUPPLIED WITH GENERATOR FROM LEROY SOMER
REFERENCE ASSEMBLY DWG 68E424

FOR USE WITH:
APS375G



		ALTORFER POWER SYSTEMS 6315 W. FAUBER RD. BARTONVILLE, IL 61607 PHONE (309) 697-1234 FAX (309) 282-7546	
<small>THIS DOCUMENT CONTAINS PROPRIETARY INFORMATION OF ALTORFER, INC. WITHOUT THE WRITTEN PERMISSION OF ALTORFER, INC., ANY COPYING OR OTHER USE EXCEPT THAT FOR WHICH IT WAS INTENDED IS PROHIBITED</small>		<small>ALL DIMENSIONS IN INCHES UNLESS OTHERWISE SPECIFIED</small>	
<small>PROTO UPDATE</small> 12/16/16 DKR	<small>CORRECT BATT CHARGER HOLE SPACING</small> 9/21/16 DKR	<small>DATE</small> 	<small>BY</small>
<small>TOLERANCES: X.X ± 0.100 X.XX ± 0.060 X.XXX ± 0.005</small>		<small>THIRD ANGLE PROJECTION</small>	<small>FILE</small> DF/71E
<small>ANGULAR ± 1°</small>		<small>SCALE/SHEET SIZE</small> 1=15/B	<small>PROJECT REFERENCE</small> APS470G RENTAL UNIT
<small>TITLE</small> MODULE GP. - POWER DISTRIBUTION		<small>SHEET</small> 1 OF 1	<small>DRAWN BY</small> D. RICHARDSON
		<small>DATE</small> 7/26/2016	<small>QUOTE NUMBER</small> -
		<small>WORK ORDER NUMBER</small> -	<small>DRAWING NUMBER</small> 71E101-02