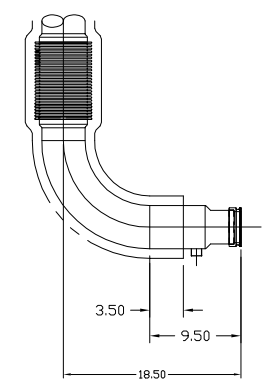
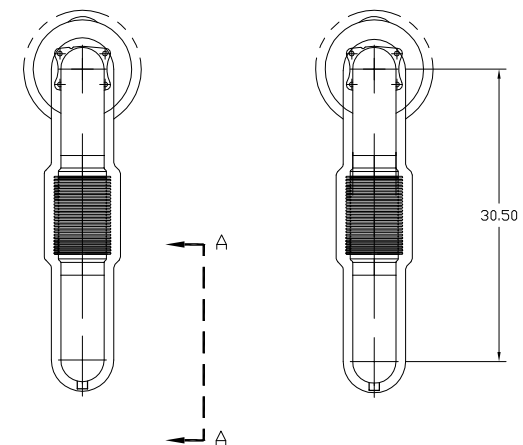
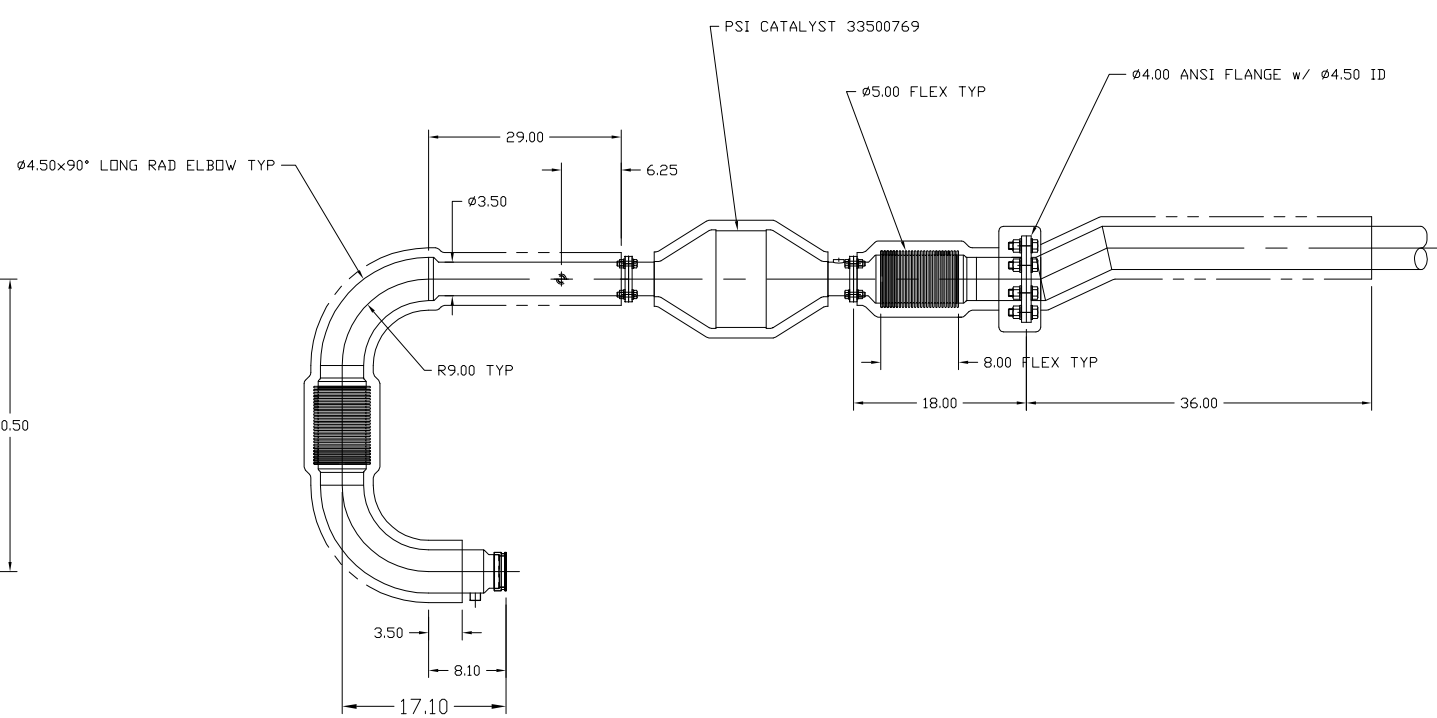
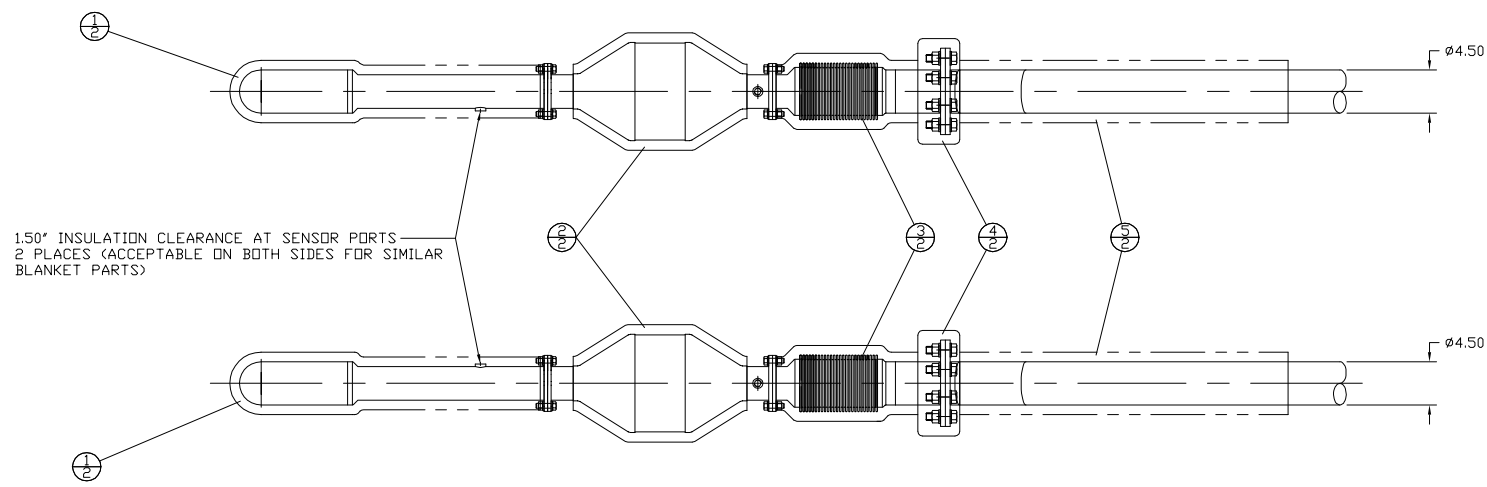


ITEM	QTY.	PART No.	DESCRIPTION	WEIGHT
1	2	71D116	BLANKET-ENGINE FLEX	
2	2	71D117	BLANKET-CATALYST	
3	2	71D118	BLANKET-CATALYST FLEX	
4	2	71D119	BLANKET-FLANGE	
5	2	71D120	BLANKET-EXHAUST PIPE	



VIEW A-A

NOTE A: ALL BLANKETS TO HAVE SPRING CLIP ATTACHEMENT AND MARKED WITH APPROPRIATE PART NUMBER

SUPPLIER REF No.: W-APS375G

08-29-16 KKN	DATE	<b>ALTORFER POWER SYSTEMS</b> 6315 W. FAUBER RD. PHONE (309) 697-1234 BARTONVILLE, IL 61607 FAX (309) 282-7546		
	BY			
1 REV'D PER ENG MFG REQUEST CHANGE NOTICE	THIS DOCUMENT CONTAINS PROPRIETARY INFORMATION OF ALTORFER, INC. WITHOUT THE WRITTEN PERMISSION OF ALTORFER, INC., ANY COPYING OR OTHER USE EXCEPT THAT FOR WHICH IT WAS INTENDED IS PROHIBITED		ALL DIMENSIONS IN INCHES UNLESS OTHERWISE SPECIFIED	
	TOLERANCES: .XX ± 0.100 .XXX ± 0.060 .XXXX ± 0.005		FILE DF/71D	PROJECT REFERENCE APS470G RENTAL PACKAGE
	THIRD ANGLE PROJECTION	SCALE/SHEET SIZE 1=10/D	DRAWN BY K NUNN	ENGINEERING STATUS PRTO PET PROD X X 0
	ANGULAR ± 1'	SHEET 1 OF 1	DATE 07-29-16	DRAWING NUMBER 71D115-1
2	1	TITLE BLANKET GP-EXHAUST		DRAWING NUMBER 71D115-1