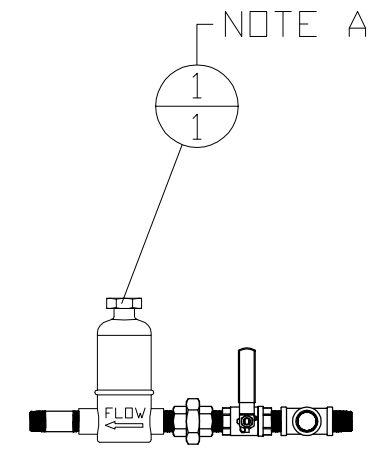
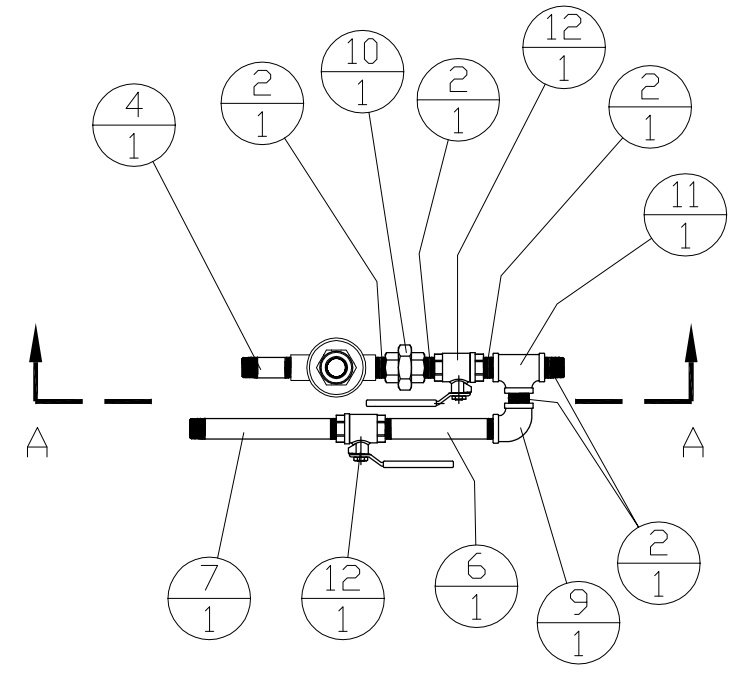
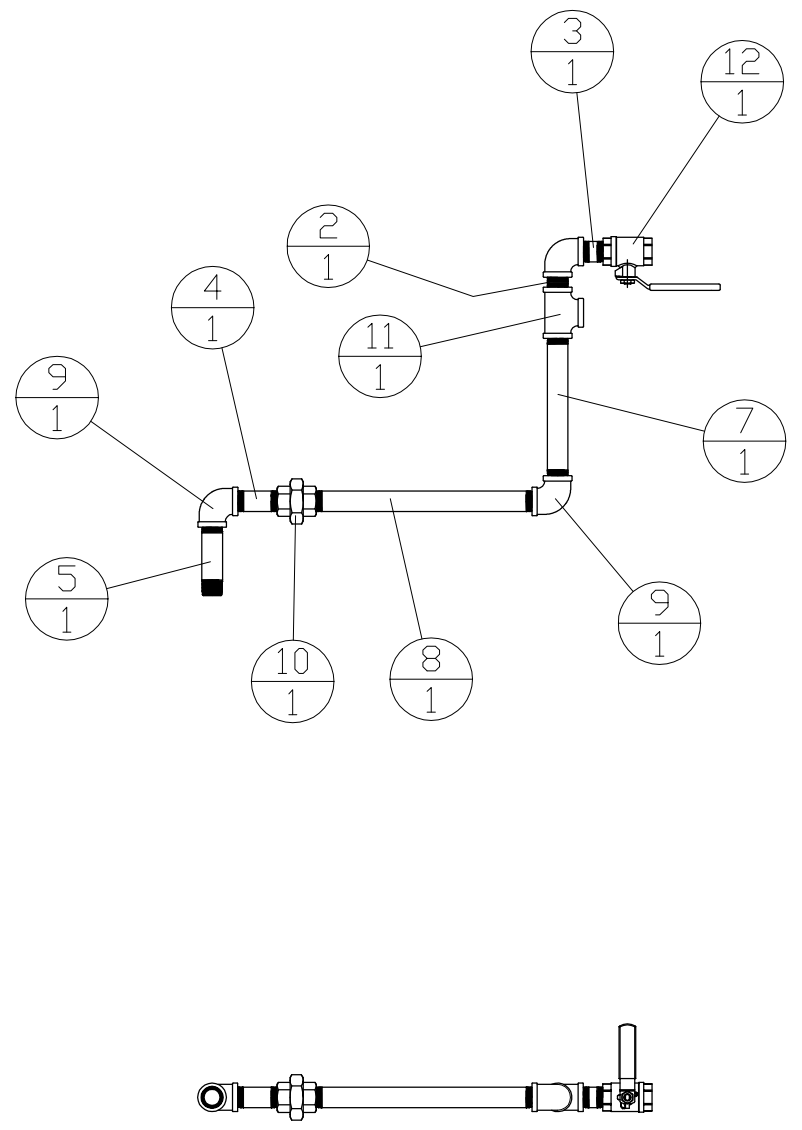


ITEM	QTY.	PART No.	DESCRIPTION
1	1	181-LD	DRAIN TRAP-AUTO (1/8" ORIFICE)
2	6	44615K425	NIPPLE-3/4 NPT x 1.50 Lg
3	1	44615K435	NIPPLE-3/4 NPT x 2.00 Lg
4	2	44615K455	NIPPLE-3/4 NPT x 3.00 Lg
5	1	44615K465	NIPPLE-3/4 NPT x 4.00 Lg
6	1	44615K175	NIPPLE-3/4 NPT x 6.50 Lg
7	2	44615K525	NIPPLE-3/4 NPT x 8.00 Lg
8	1	44615K545	NIPPLE-3/4 NPT x 12.00 Lg
9	4	44605K115	ELBOW-3/4 NPTF
10	2	44605K195	UNION-3/4 NPTF
11	2	44605K155	TEE-3/4 NPTF
12	3	46325K29	VALVE-BALL 3/4 NPTF SS



SECTION A-A

- NOTE A: INSTALL DRAIN TRAP WITH FLOW DIRECTION AS SHOWN
- NOTE: SEAL ALL THREADED PIPE JOINTS WITH COMPLIANT NATURAL GAS SEALANT
- NOTE: PAINT ALL BLACK PIPE FITTINGS CAT HIGLOSS BLACK
NO PAINT ON EXPOSED THREADS, DRAIN TRAP AND VALVES.

DATE BY		ALTORFER POWER SYSTEMS 6315 W. FAUBER RD. PHONE (309) 697-1234 BARTONVILLE, IL 61807 FAX (309) 282-7546			
				THIS DOCUMENT CONTAINS PROPRIETARY INFORMATION OF ALTORFER, INC. WITHOUT THE WRITTEN PERMISSION OF ALTORFER, INC., ANY COPYING OR OTHER USE EXCEPT THAT FOR WHICH IT WAS INTENDED IS PROHIBITED	
CHANGE NOTICE	ALL DIMENSIONS IN INCHES UNLESS OTHERWISE SPECIFIED	FILE	PROJECT REFERENCE		
		DF/71C	APS470G RENTAL PACKAGE		
	TOLERANCES: X.X ± 0.100 X.XX ± 0.060 X.XXX ± 0.005	THIRD ANGLE PROJECTION	SCALE/SHEET SIZE	DRAWN BY	
	ANGULAR ± 1'		1=10/B	K NUNN	
			SHEET	DATE	ENGINEERING STATUS
		1 OF 1	02-09-17	PROT PET PROD	
				X X 0	
TITLE	DRAWING NUMBER				
1	DRAIN ASSEMBLY-AUTO SYSTEM (APS470G)			71C138	