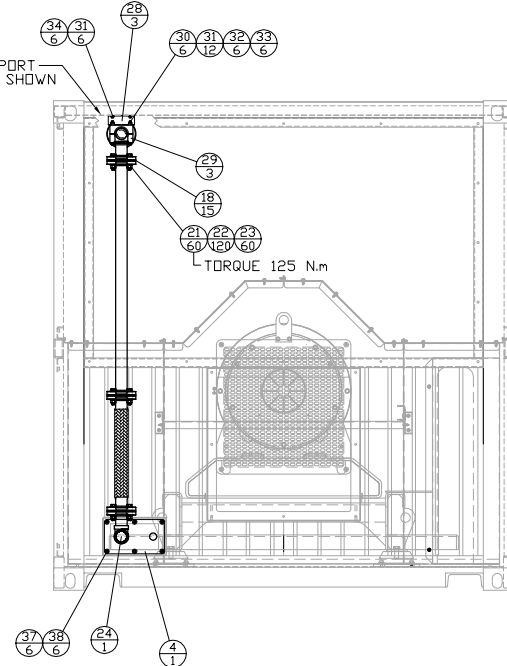
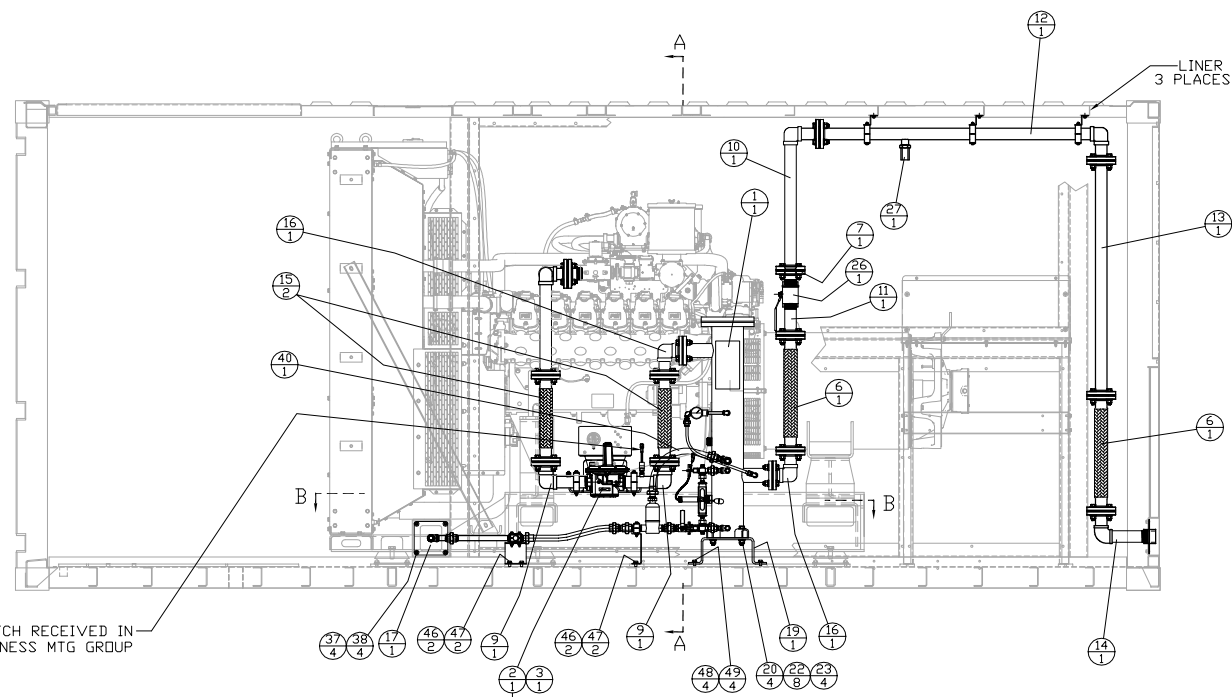
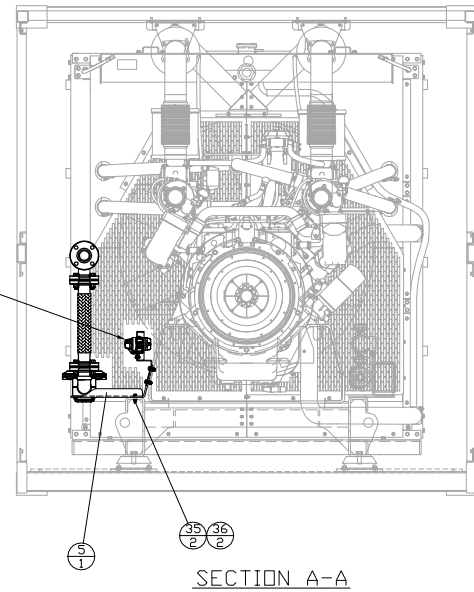


ITEM	QTY.	PART NO.	DESCRIPTION
1	1	71C137	FILTER AS-COALESING (APS470G)
2	1	210E	REGULATOR-NATURAL GAS (RED SPRING)
3	1	13A25	VENT-REGULATOR NG
4	1	71C120	PLATE AS-FUEL CONNECTION
5	1	71C121	MDUNT-NG REGULATOR
6	2	71C145	HOSE AS-2.0 ANSI FLANGE - 24.00 Lg
7	3	71C146	PIPE AS-FUEL
8	1	71C147	MANIFOLD AS-FUEL
9	2	71C148	PIPE AS-FUEL
10	1	71C155	PIPE AS-FUEL (OIL FIELD)
11	1	71C150	PIPE AS-FUEL
12	1	71C151	PIPE AS-FUEL
13	1	71C152	PIPE AS-FUEL
14	1	71C153	PIPE AS-FUEL
15	2	71C154	HOSE AS-2.0 ANSI FLANGE - 18.00 Lg
16	2	69C159	PIPE AS-FUEL
17	1	71C159	PLATE AS-DRAIN
18	15	9472K636	GASKET-2.0 ANSI FLANGE - 1/8" THICK
19	1	69C150	MDUNT-COALESING FILTER
20	4	7X-0350	BOLT-5/8-11 NC x 3.50 Lg
21	60	8C-6362	BOLT-5/8-11NC x 2.75 Lg
22	128	7X-0515	WASHER-HARD
23	64	7X-0448	NUT-5/8-11 NC
24	1	4464K259	PLUG-2.0 NPT SCH 40 SS
25	1	7F-9504	PLUG-SOCKET 1/4 NPT
26	1	46495K26	VALVE-MANUAL 2.0 NPT 304 SS
27	1	H202-25	VALVE-RELIEF 3/4 NPT 25 PSIG SETTING
28	3	70C236	SUPPORT-NG LINE
29	5	3015T415	CLAMP-STOFF 2.0 PIPE
30	10	8T-8909	BOLT-1/4-20 NC x 5.0 Lg
31	54	5P-4115	WASHER-HARD
32	6	198-4776	WASHER-HARD
33	14	98233A100	NUT-FLANGED 1/4-20 NC
34	6	109-0147	SCREW-SELF TAPPING 1/4-20NC x 1.00 Lg
35	2	92979A352	BOLT-FLANGED 3/8-16 NC x1.50 Lg
36	2	198-2970	NUT-FLANGED 3/8-16 NC
37	10	235-4451	BOLT-FLANGED M8x1.25 - 25.4 Lg
38	10	317-5700	WASHER-NEOPREME
39	1	71C138	DRAIN AS-AUTO SYSTEM (APS470G)
40	3	71C156	HOSE AS-3/4 NPT MALE TO FEMAL - 21.00 Lg
41	2	301T16	CLAMP-STOFF 3/4 PIPE
42	1	71C157	SUPPORT-DRAIN LINE
43	1	71C158	SUPPORT-DRAIN LINE
44	4	92316A552	BOLT-FLANGED 1/4-20 NC x 2.50 Lg
45	1	44605K676	PLUG-SOCKET 3/4 NPT
46	4	174-9194	BOLT-FLANGED M8x1.25 - 16 MM
47	4	7X-7729	WASHER-HARD
48	4	8T-4179	BOLT-M12x1.25 - 20 MM
49	4	5P-1076	WASHER-HARD



STARTING CONTROL GROUP INSTALLED IN 71A124 MOUNTING GROUP-STARTING



NOTE A: SEAL ALL THREADED PIPE JOINTS WITH COMPLIANT NATURAL GAS SEALANT
NOTE B: SET NATURAL GAS REGULATOR ADJUSTMENT SPRING TO 16 INCHES WATER COLUMN MAX. THEN PROCEED TO TEST SYSTEM AT 5 PSI MAX FOR LEAKS

US-00-17 02-21-17 KUN RIL	ALTORFER	ALTORFER POWER SYSTEMS 6315 W. FAUBER RD. BARTONVILLE, IL 61607 PHONE (309) 697-1234 FAX (309) 262-7546
THIS DOCUMENT CONTAINS PROPRIETARY INFORMATION OF ALTORFER, INC. WITHOUT THE WRITTEN PERMISSION OF ALTORFER, INC., ANY COPYING OR OTHER USE EXCEPT THAT FOR WHICH IT WAS INTENDED IS PROHIBITED.	FILE DF/71A	PROJECT REFERENCE APS470G RENTAL PACKAGE
ALL DIMENSIONS IN INCHES UNLESS OTHERWISE SPECIFIED	SCALE/SHEET SIZE 1=20/D	DRAWN BY K NUNN
TOLERANCES: XX ± 0.100 XXX ± 0.060 XXXX ± 0.005	THIRD ANGLE PROJECTION	DATE 02-11-17
CHANGE NOTICE	SHEET 1 OF 1	ENGINEERING STATUS PROTO X PET X PROD 0
2 CHD ITEM 46 PART NUMBER 1 PET PIPE LINE REVISION	TITLE MOUNTING GROUP-NG FUEL TRAIN (OIL FIELD)	DRAWING NUMBER 71A142-2