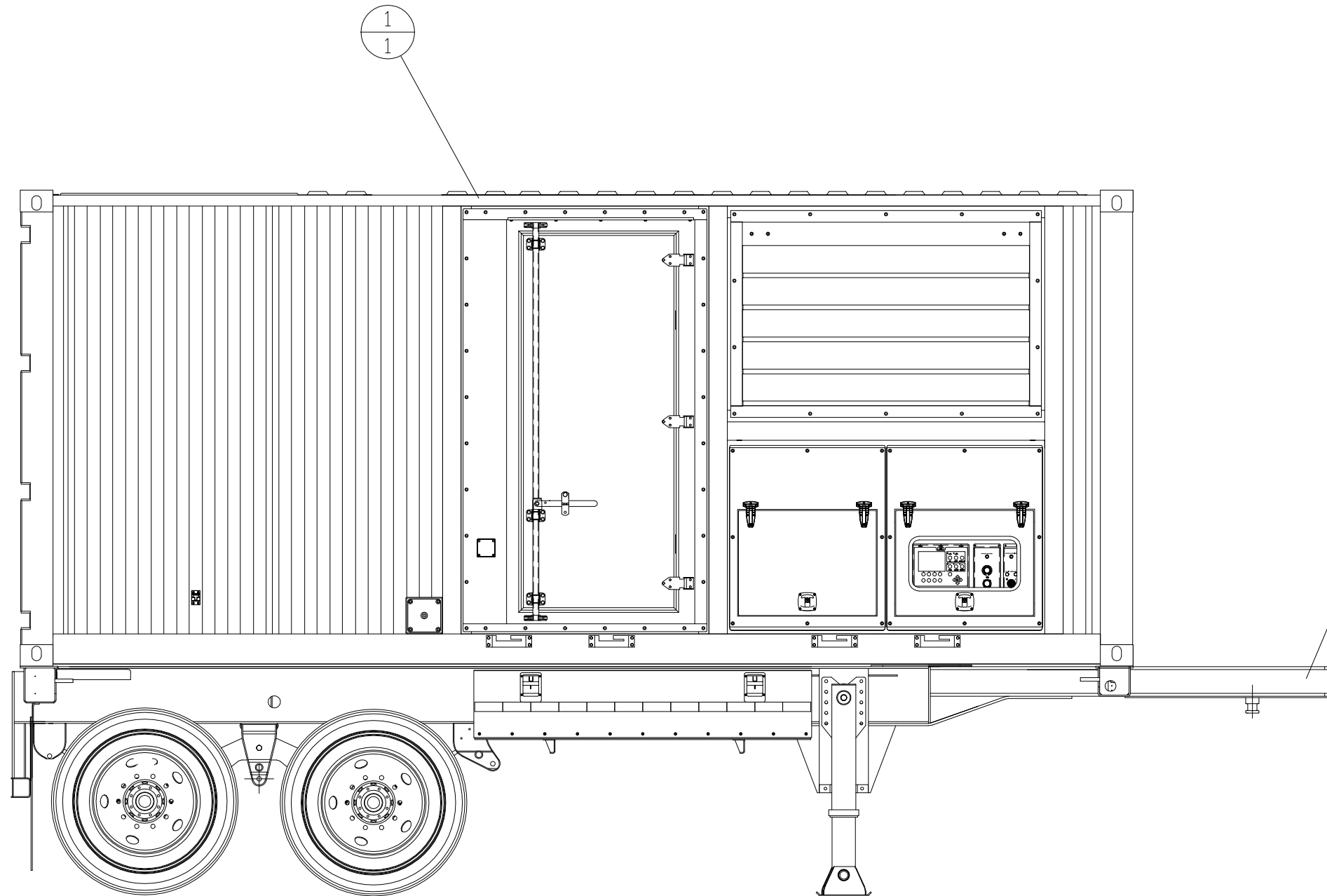


INCH 71A141

ITEM	QTY.	PART No.	DESCRIPTION
1	1	71D140	PACKAGE AR-APS470G (OIL FIELD)
2	1	71D137	TRANSPORT GP-AIR RIDE

PACKAGE AR W/ CHASSIS: 28,200 Lbs/12,791 Kg



DATE BY		ALTORFER		ALTORFER POWER SYSTEMS		
		6315 W. FAUBER RD. BARTONVILLE, IL 61807		PHONE (309) 697-1234 FAX (309) 282-7546		
THIS DOCUMENT CONTAINS PROPRIETARY INFORMATION OF ALTORFER, INC. WITHOUT THE WRITTEN PERMISSION OF ALTORFER, INC., ANY COPYING OR OTHER USE EXCEPT THAT FOR WHICH IT WAS INTENDED IS PROHIBITED						
ALL DIMENSIONS IN INCHES UNLESS OTHERWISE SPECIFIED		FILE	PROJECT REFERENCE			
		DF/71A	APS470G RENTAL PACKAGE			
TOLERANCES:	THIRD ANGLE PROJECTION	SCALE/SHEET SIZE	DRAWN BY	ENGINEERING STATUS		
XX ± 0.100	1=20/C	1=20/C	K NUNN	PROG	PET	PROD
X.XXX ± 0.050				X	X	X
ANGULAR ± 1'		SHEET	DATE			
		1 OF 1	06-06-17			
TITLE				DRAWING NUMBER		
PACKAGE AR-APS470G (OIL FIELD) w/ CHASSIS				71A141		