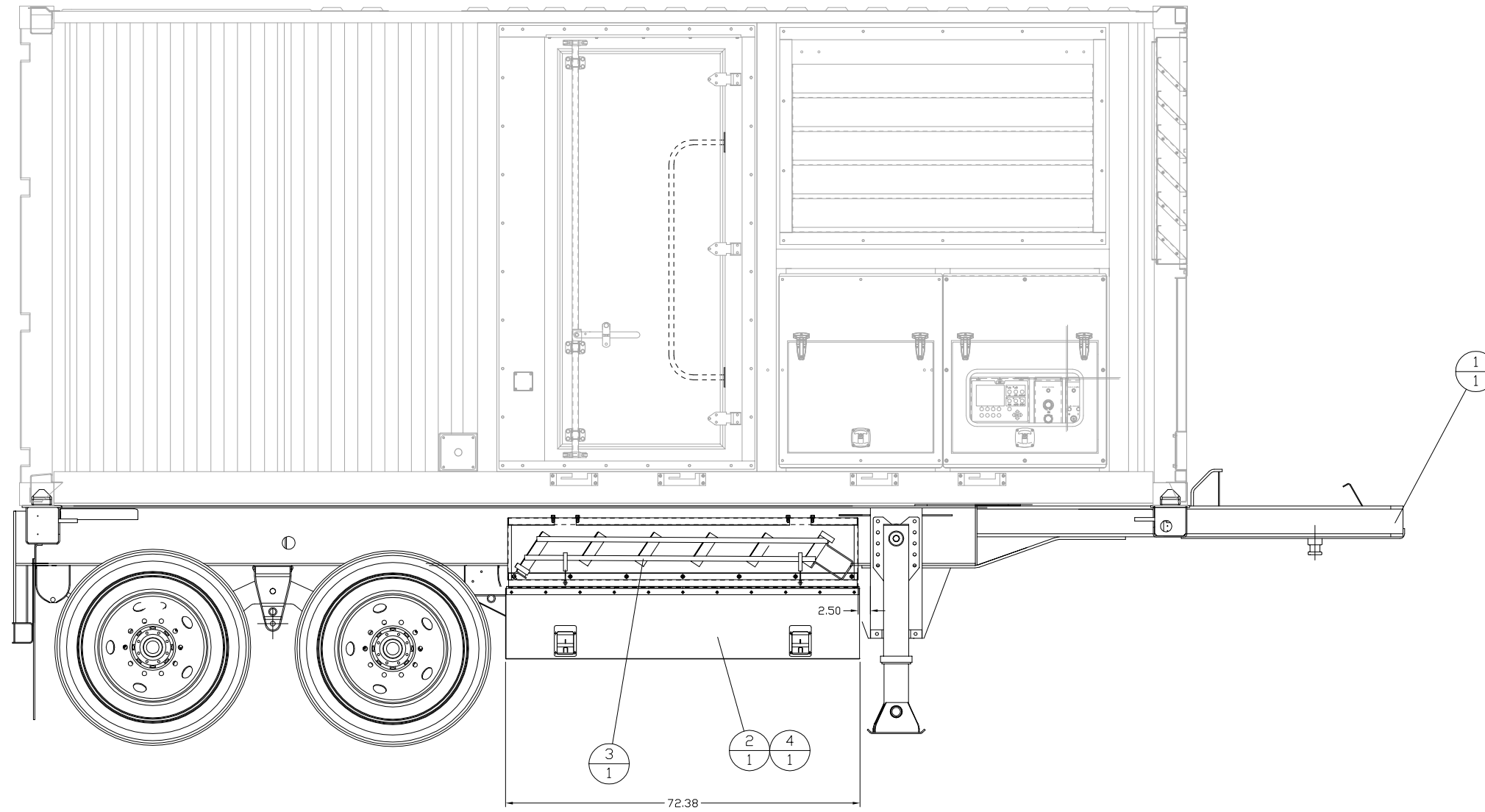


INCH 71A137

ITEM	QTY.	PART No.	DESCRIPTION
1	1	203610-A	CHASSIS GROUP-AIR RIDE
2	1	57A242	STORAGE GROUP-LADDER
3	1	57A243	LADDER GROUP-ACCESS
4	1	57A244	LOCK GROUP-TRANSPORT



CURB SIDE

DATE BY	ALTORFER		ALTORFER POWER SYSTEMS		
	6315 W. FAUBER RD. BARTONVILLE, IL 61807		PHONE (309) 697-1234 FAX (309) 282-7546		
	THIS DOCUMENT CONTAINS PROPRIETARY INFORMATION OF ALTORFER, INC. WITHOUT THE WRITTEN PERMISSION OF ALTORFER, INC., ANY COPYING OR OTHER USE EXCEPT THAT FOR WHICH IT WAS INTENDED IS PROHIBITED				
	ALL DIMENSIONS IN INCHES UNLESS OTHERWISE SPECIFIED				
CHANGE NOTICE	FILE	DF/71A	PROJECT REFERENCE		
	TOLERANCES:	THIRD ANGLE PROJECTION	SCALE/SHEET SIZE	DRAWN BY	ENGINEERING STATUS
	X.X ± 0.100	1=20/C	1=20/C	K NUNN	PROTO PET PRD
	X.XX ± 0.050				
ANGULAR ± 1°	SHEET	1 OF 1	DRAWING NUMBER		
TITLE	TRANSPORT GROUP-AIR RIDE			71A137	