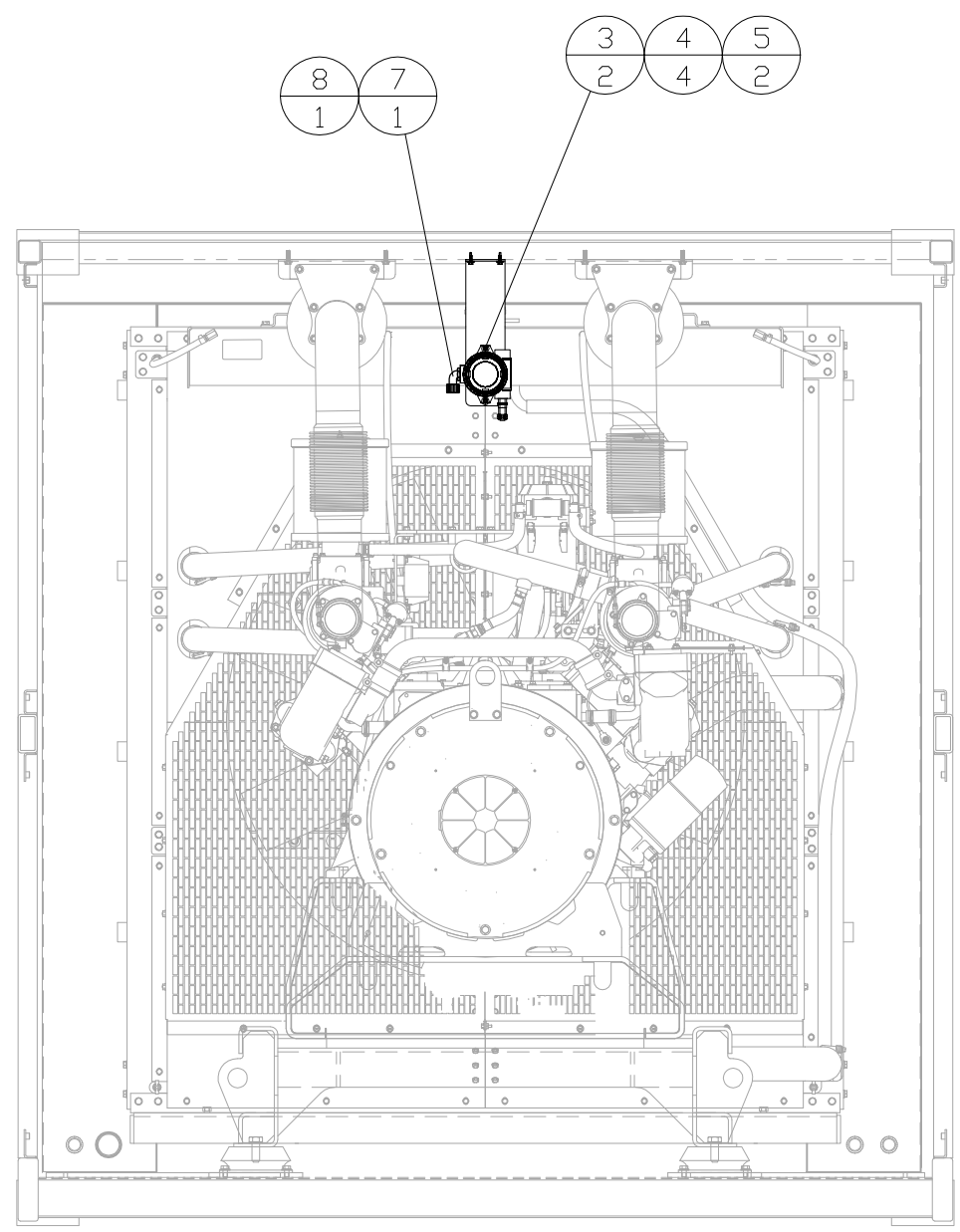
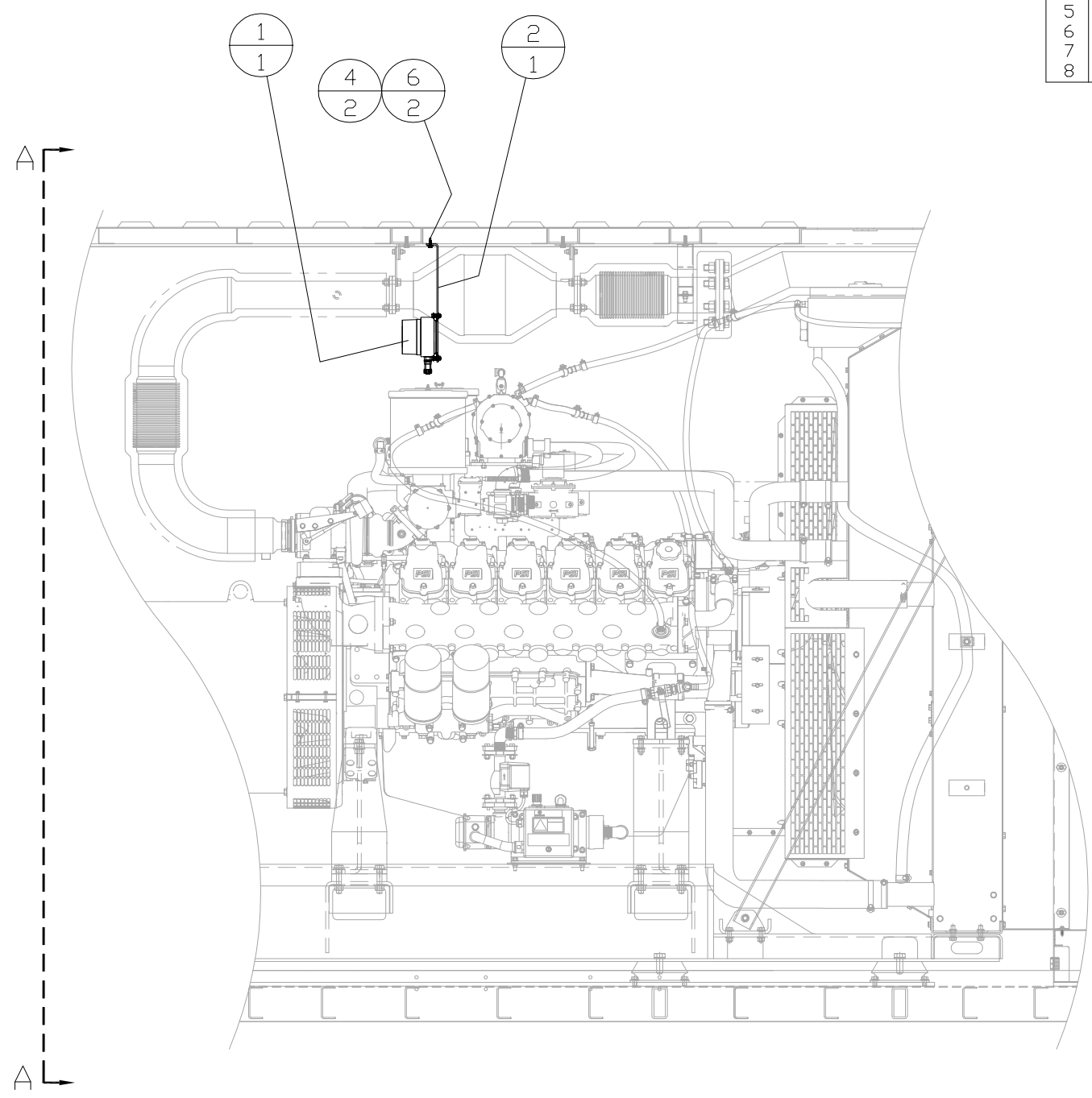


INCH 71A135-1

ITEM	QTY.	PART No.	DESCRIPTION
1	1	65-2640RK	DETECTOR-METHANE
2	1	71C132	MOUNT-DETECTOR
3	2	8T-8908	BOLT-1/4-20NCx1.00 Lg
4	6	5P-4115	WASHER-HARD
5	2	6V-8185	NUT-1/4-20NC
6	2	109-0147	SCREW-SELF TAPPING 1/4-20
7	1	8317K512	CORD GRIP-90° ELBOW
8	1	201-6327	REDUCER-CONDUIT 3/4"-1/2"



SECTION A-A



02/06/2017 B. REILING BY		ALTORFER		ALTORFER POWER SYSTEMS	
6315 W. FAUBER RD. BARTONVILLE, IL 61607		PHONE (309) 697-1234 FAX (309) 282-7546		THIS DOCUMENT CONTAINS PROPRIETARY INFORMATION OF ALTORFER, INC. WITHOUT THE WRITTEN PERMISSION OF ALTORFER, INC., ANY COPYING OR OTHER USE EXCEPT THAT FOR WHICH IT WAS INTENDED IS PROHIBITED	
ADD REDUCER BUSHING CHANGE NOTICE	ALL DIMENSIONS IN INCHES (UNLESS OTHERWISE SPECIFIED)	FILE	PROJECT REFERENCE	ENGINEERING STATUS	
	TOLERANCES: X.X ± 0.100 X.XX ± 0.060 X.XXX ± 0.005	DF/71A	APS470G RENTAL PACKAGE	PROD	PET
THIRD ANGLE PROJECTION	SCALE/SHEET SIZE	DRAWN BY	DATE	PROD	PRD
ANGULAR ± 1°	1=20/B	K NUNN	02-08-17	X	X
	SHEET				
	1 OF 1				
TITLE	DRAWING NUMBER				
MOUNTING GROUP-METHANE DETECTOR	71A135-1				