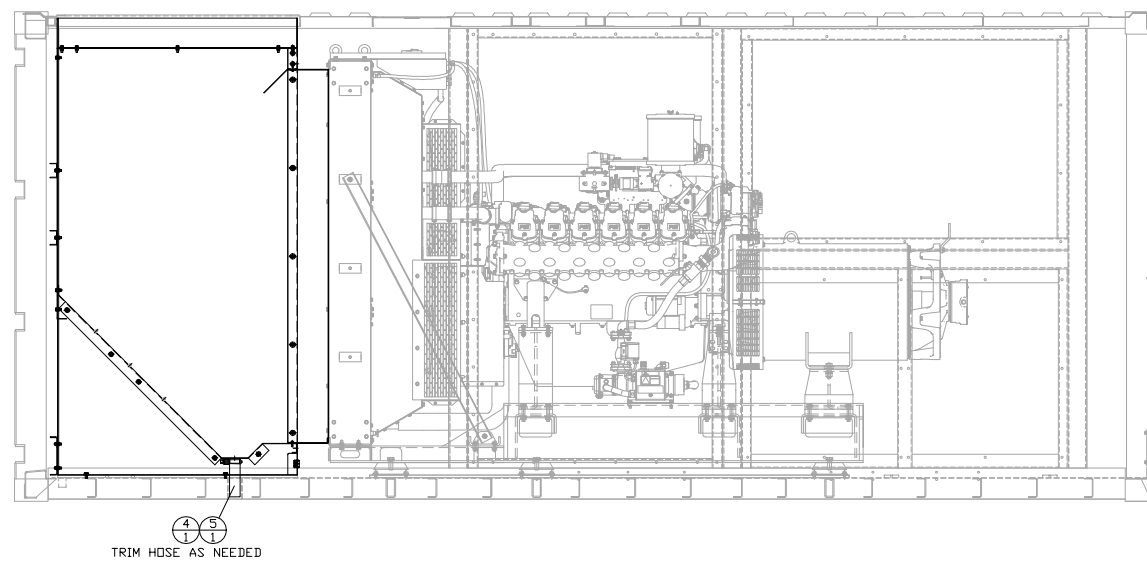
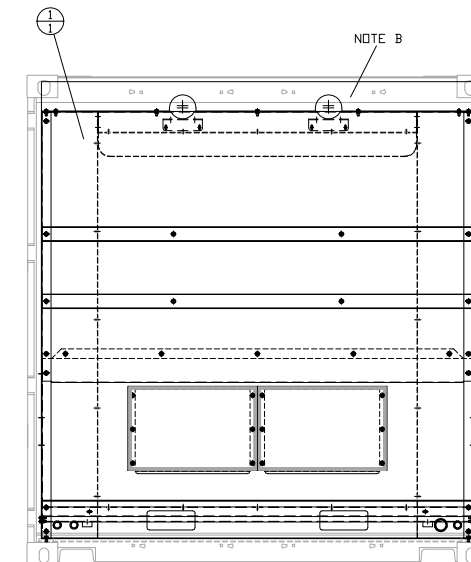
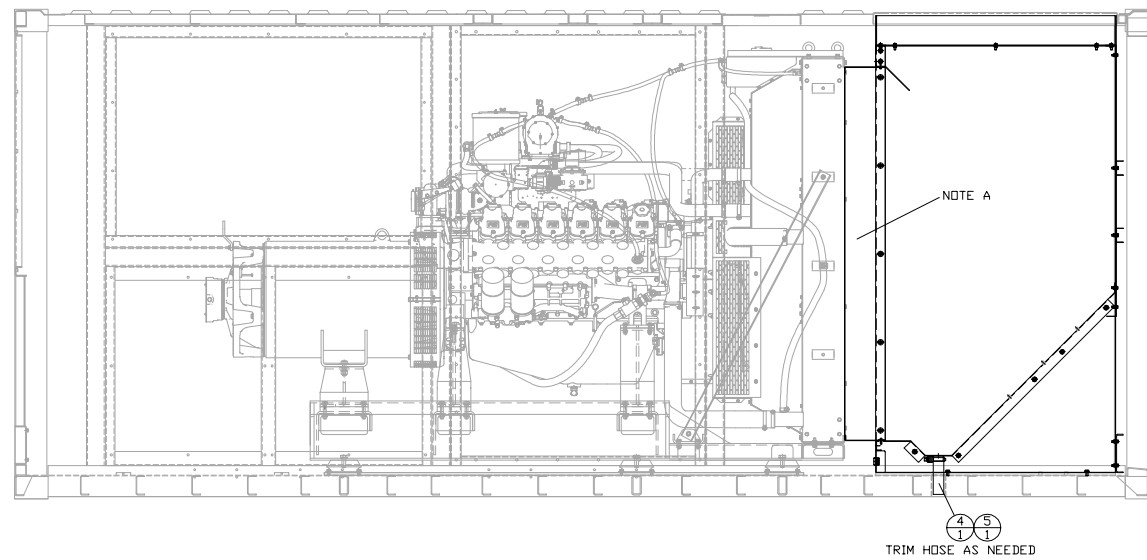
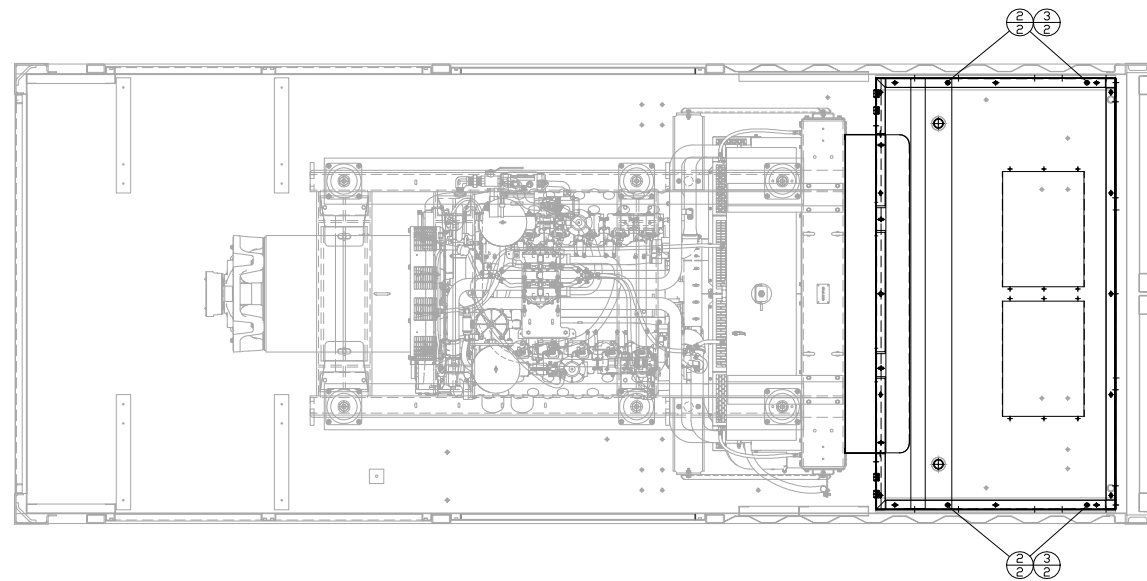


ITEM	QTY.	PART NO.	DESCRIPTION
1	1	71D130	DUCT ASSEMBLY-EXHAUST
2	4	8T-4179	BOLT- M12x1.75-20mm
3	4	5P-1076	WASHER-HARD
4	2	5P-1259	HOSE-Ø2.00"ID - 12.00"Lg
5	2	5P-0597	CLAMP-HOSE



NOTE A: CAULK ALL FOUR INTERIOR CORNERS OF THE RADIATOR FLASHING ONCE THEY HAVE BEEN PUSHED FORWARD AGAINST THE RADIATOR.
 NOTE B: CAULK ALL FOUR INTERIOR CORNERS AND SEAMS OF THE EXHAUST FLASHING AFTER EXHAUST DUCT HAS BEEN INSTALLED.

		ALTORFER POWER SYSTEMS 6315 W. FAUBER RD. PHONE (309) 697-1234 BARTONVILLE, IL 61607 FAX (309) 262-7546	
THIS DOCUMENT CONTAINS PROPRIETARY INFORMATION OF ALTORFER, INC. WITHOUT THE WRITTEN PERMISSION OF ALTORFER, INC., ANY COPYING OR OTHER USE EXCEPT THAT FOR WHICH IT WAS INTENDED IS PROHIBITED.		PROJECT REFERENCE APS470G RENTAL PACKAGE	
ALL DIMENSIONS IN INCHES UNLESS OTHERWISE SPECIFIED		FILE DF/71A	
TOLERANCES: XX ± 0.100 X.XX ± 0.060 XXX ± 0.005		SCALE/SHEET SIZE 1=20/D	
THIRD ANGLE PROJECTION		DRAWN BY BML	
ANGULAR ± 1°		DATE 11/04/16	
TITLE MOUNTING GROUP-EXHAUST DUCT		ENGINEERING STATUS PROTO X PET X PRODD 0	
DRAWING NUMBER 71A123-1			