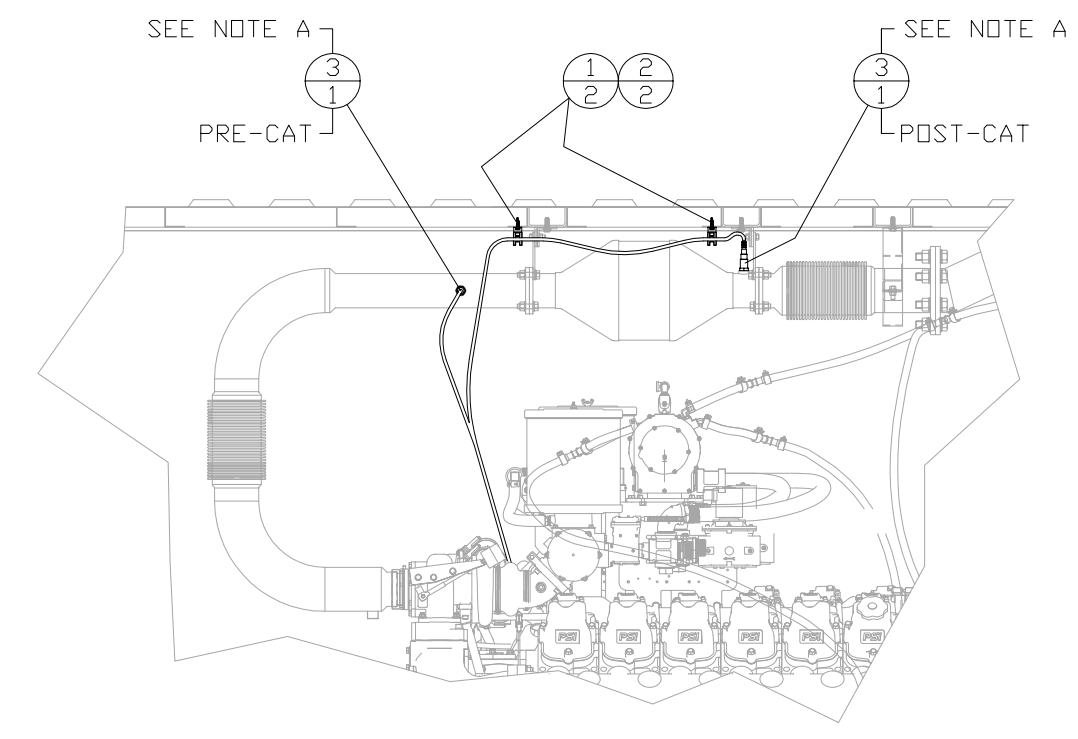
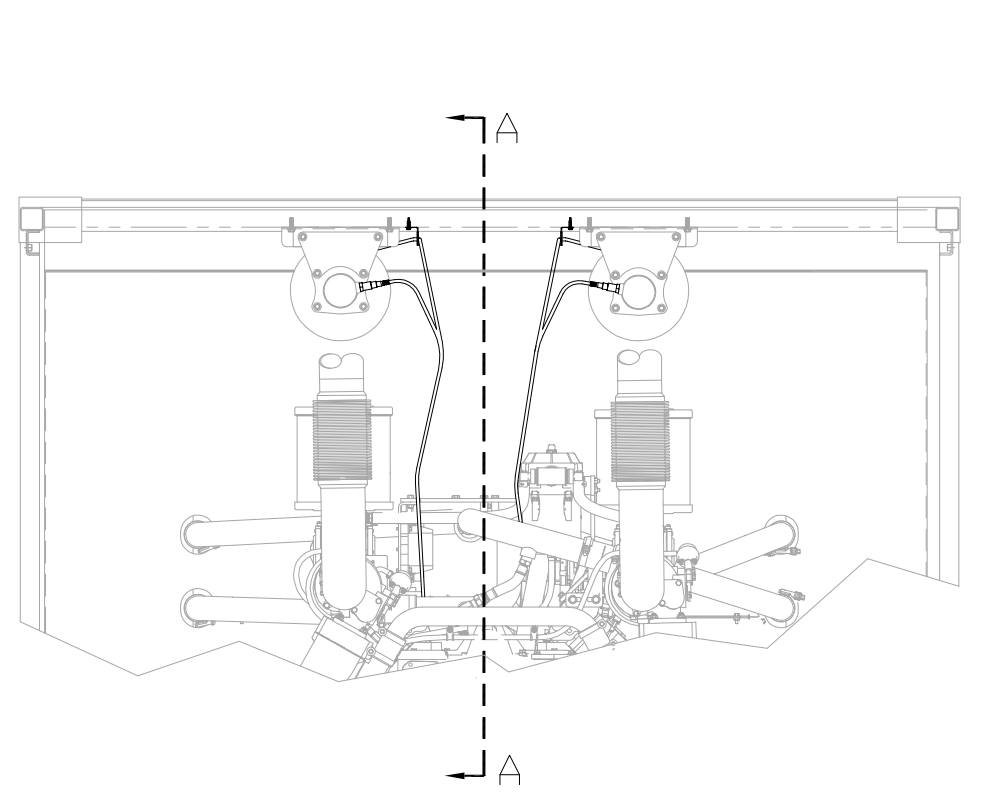


INCH

71A122

ITEM	QTY.	PART No.	DESCRIPTION
1	4	156-6175	CLIP-LADDER
2	4	12544519	SCREW-SELF TAPPING 1/4-20NCx1.00
3	4	32501267	SENSOR-02



VIEW A-A  
TYP BOTH SIDES

NOTE A: SENSORS RECEIVED WITH PSI ENGINE  
USE HIGH TEMP ANTI-SEIZE ON SENSOR THREADS

<p>DATE BY</p>		<p><b>ALTORFER</b></p>		<p><b>ALTORFER POWER SYSTEMS</b> 6315 W. FAUBER RD. PHONE (309) 697-1234 BARTONVILLE, IL 61807 FAX (309) 282-7546</p>			
				<p>THIS DOCUMENT CONTAINS PROPRIETARY INFORMATION OF ALTORFER, INC. WITHOUT THE WRITTEN PERMISSION OF ALTORFER, INC., ANY COPYING OR OTHER USE EXCEPT THAT FOR WHICH IT WAS INTENDED IS PROHIBITED</p>			
<p>CHANGE NOTICE</p>	<p>ALL DIMENSIONS IN INCHES UNLESS OTHERWISE SPECIFIED</p>	<p>FILE</p>	<p>PROJECT REFERENCE</p>			<p>ENGINEERING STATUS</p>	
	<p>TOLERANCES: X.X ± 0.100 X.XX ± 0.060 X.XXX ± 0.005</p>	<p>THIRD ANGLE PROJECTION</p>	<p>SCALE/SHEET SIZE</p>	<p>DRAWN BY</p>	<p>ENGINEERING STATUS</p>		
	<p>ANGULAR ± 1°</p>	<p>1=20/B</p>	<p>DATE</p>	<p>PROT</p>	<p>PET</p>	<p>PROD</p>	
	<p>TITLE</p>	<p>1 OF 1</p>	<p>01-27-17</p>	<p>X</p>	<p>X</p>	<p>0</p>	
<p>1</p>	<p>MOUNTING GROUP-EXHAUST SENSORS</p>						<p>DRAWING NUMBER</p>
<p>2</p>							<p>71A122</p>