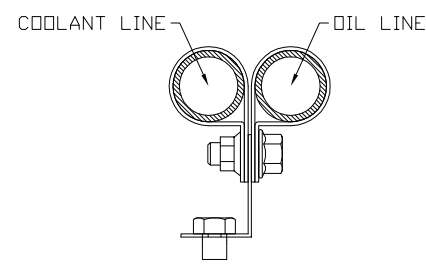
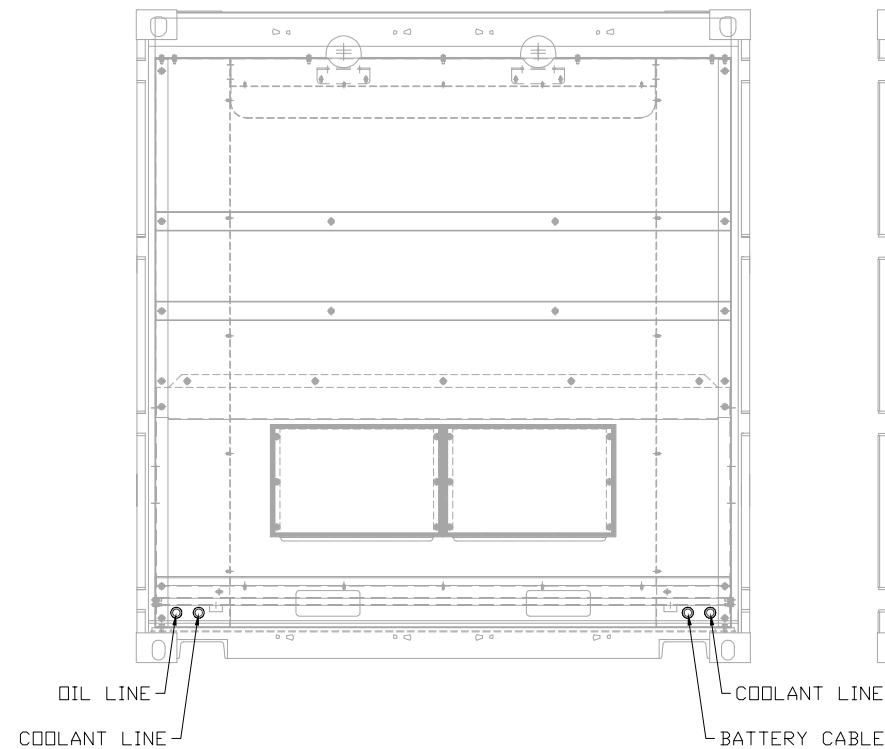
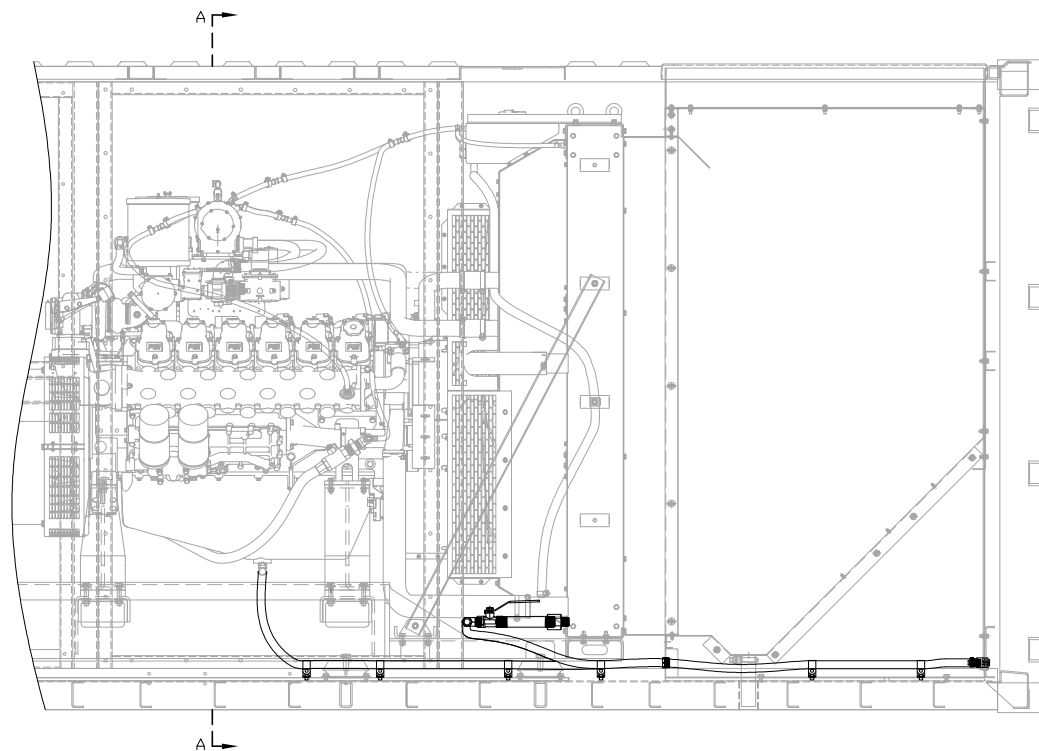
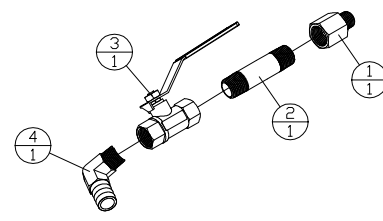


SECTION A-A

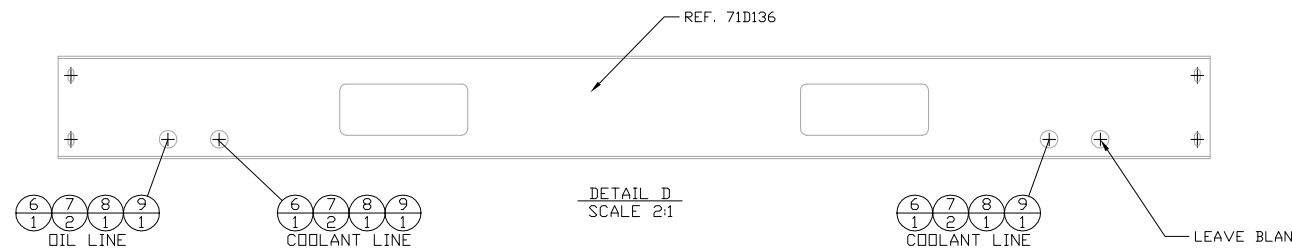
ITEM	QTY.	PART NO.	DESCRIPTION
1	2	50925K312	ADAPTER-REDUCING 1/4"NPTx3/8"NPT
2	2	44615K483	NIPPLE-3/8"NPT SCH40-6.00"Lg
3	2	4205167	VALVE-BALL 3/8"NPT
4	2	53525K22	ADAPTER-ELBOW 3/8"NPTx5/8" HOSE BARB
5	ROLL	6V-8843	HOSE-5/8" SILICONE
6	3	147-2442	ADAPTER 3/4"NPTx5/8" HOSE BARB
7	6	5D-1026	CLAMP-HOSE
8	3	10412-18229	ADAPTER-BULKHEAD 3/4"NPT
9	3	69908	PLUG-BRASS 3/4"NPT
10	2	PPP1	PLUG-1.00"NPT
11	11	174-9194	BOLT-FLANGED M8x1.25
12	11	273-3770	BRACKET-L (BLACK)
13	13	7C-4354	CLIP-1.00" VINYL
14	11	345-8531	BOLT-FLANGED 3/8"-16NCx1.25"
15	11	198-2970	NUT-FLANGED 3/8"-16NC



SECTION B-B
(2 PLACES)
SCALE 4:1



DETAIL C
(BOTH SIDES)
SCALE 4:1



DETAIL D
SCALE 2:1

NOTE A: USE THREADED PIPE SEALANT ON ALL PIPE FITTINGS

01-16-17 KCN BML	CHANGE NOTICE	ALTORFER		ALTORFER POWER SYSTEMS 6315 W. FAUBER RD. PHONE (309) 697-1234 BARTONVILLE, IL 61607 FAX (309) 262-7546	
		THIS DOCUMENT CONTAINS PROPRIETARY INFORMATION OF ALTORFER, INC. WITHOUT THE WRITTEN PERMISSION OF ALTORFER, INC., ANY COPYING OR OTHER USE EXCEPT THAT FOR WHICH IT WAS INTENDED IS PROHIBITED.		PROJECT REFERENCE APS470G RENTAL PACKAGE	
PET UPDATES	CHANGE NOTICE	ALL DIMENSIONS IN INCHES UNLESS OTHERWISE SPECIFIED	FILE DF/71A	SCALE/SHEET SIZE 1=15/D	DRAWN BY BML
		TOLERANCES: XX ± 0.100 ANGLE XXX ± 0.060 PROJECTION XXXX ± 0.005 SHEET ANGULAR ± 1°	THIRD ANGLE PROJECTION	DATE 11/04/16	QUOTE NUMBER -
-1	NG	TITLE MOUNTING GROUP-DRAINS	1 OF 1	DRAWING NUMBER 71A110-1	-