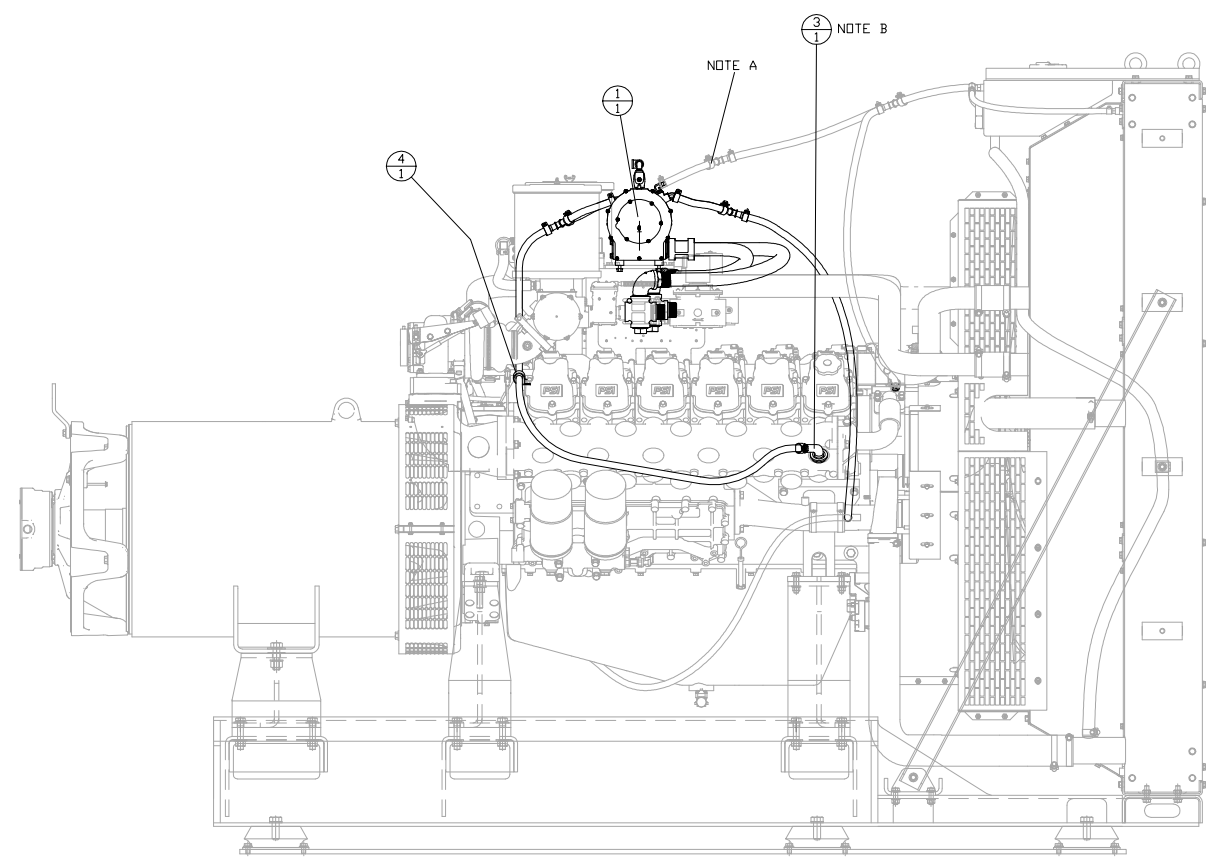
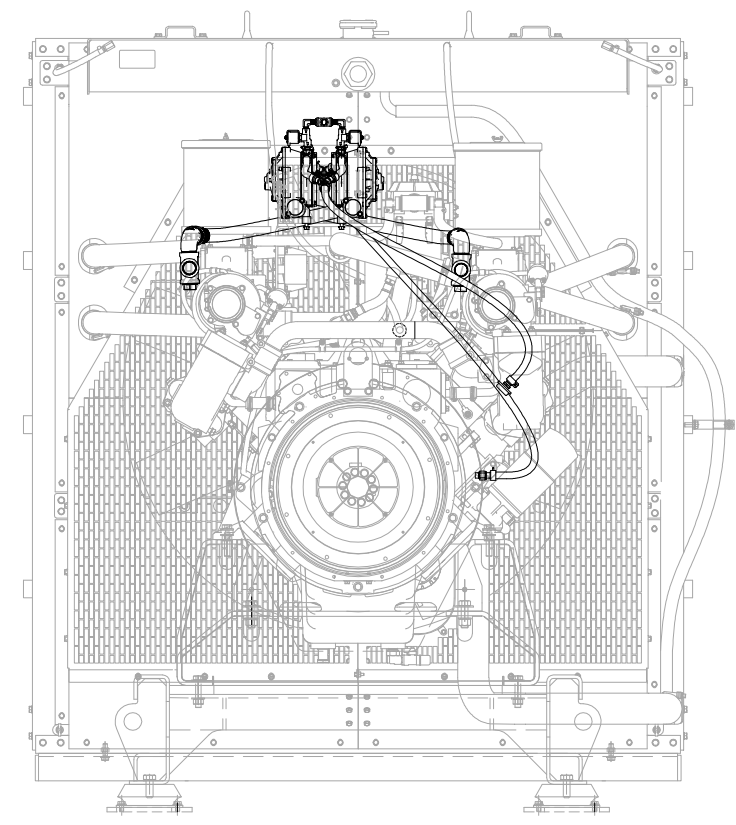
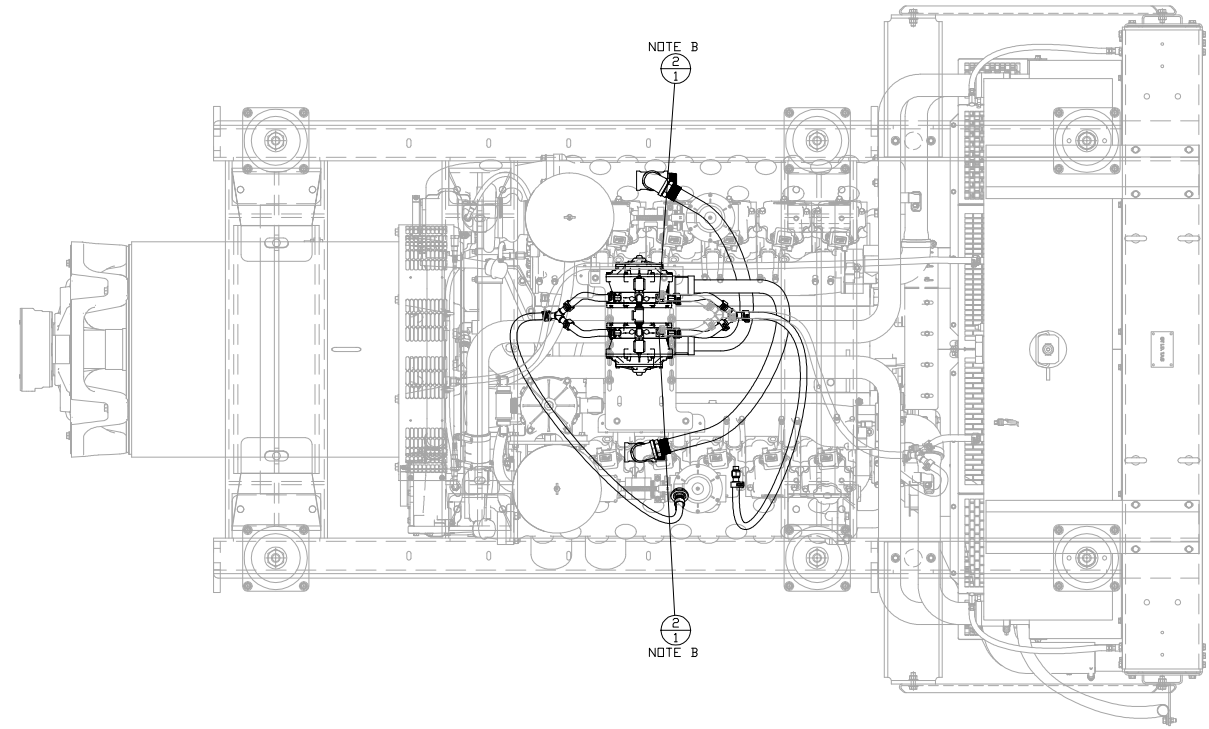


ITEM	QTY.	PART No.	DESCRIPTION
1	1	59300039	PROPANE KIT-22L V SERIES
2	2	53525K18	ELBDW-ADAPTER 3/8"NPTx 3/8" HOSE BARB
3	1	53525K23	ELBDW-ADAPTER 1/2"NPTx 5/8" HOSE BARB
4	1	7C-4354	CLIP-VINYL 1.00



NOTE A: VENT LINES INSTALLED WITH PSI COOLING SYSTEM (71A106)
 NOTE B: USE THREADED PIPE SEALANT WHEN INSTALLING BARBED ELBOWS

01-12-17 KSN	10/27/16	DATE	ALTORFER		ALTORFER POWER SYSTEMS		
PET CHANGES		DATE	6315 W. FAUBER RD.		PHONE (309) 697-1234		
ADDED VENTING ELBOWS		BY	BARTONVILLE, IL 61807		FAX (309) 282-7546		
CHANGE NOTICE		FILE	PROJECT REFERENCE		QUOTE NUMBER		
ALL DIMENSIONS IN INCHES UNLESS OTHERWISE SPECIFIED		DF/71A	APS470G RENTAL PACKAGE		-		
TOLERANCES:		SCALE/SHEET SIZE	DRAWN BY		WORK ORDER NUMBER		
XXX ± 0.100		1=15/C	BML		-		
XXX ± 0.050		DATE	10/27/16		-		
ANGULAR ± 1°		SHEET	1 OF 1		DRAWING NUMBER		
TITLE		MOUNTING GROUP-PSI PROPANE SYSTEM				71A104-2	