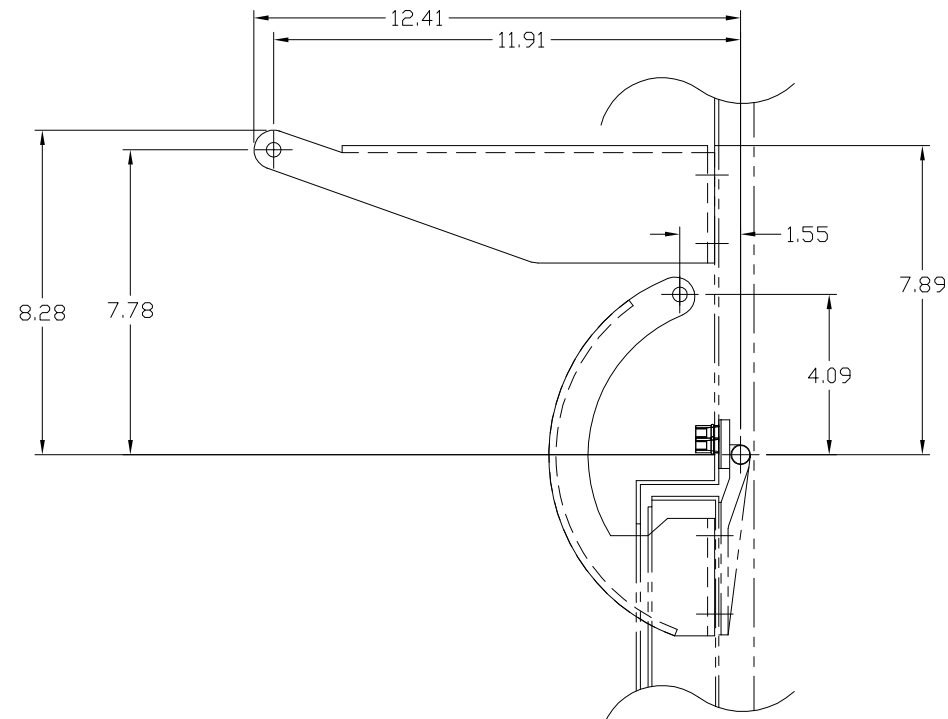
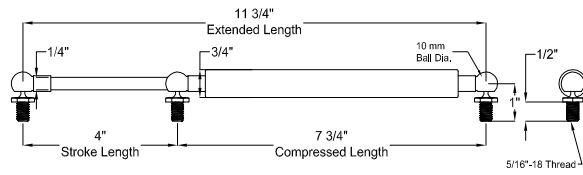
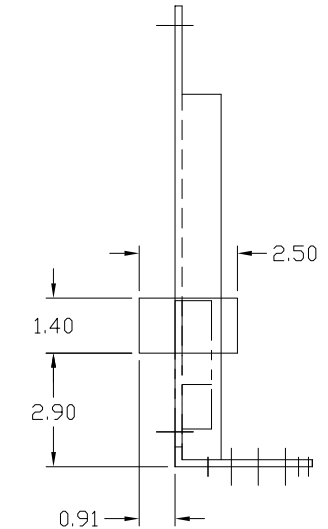


INCH 68E429

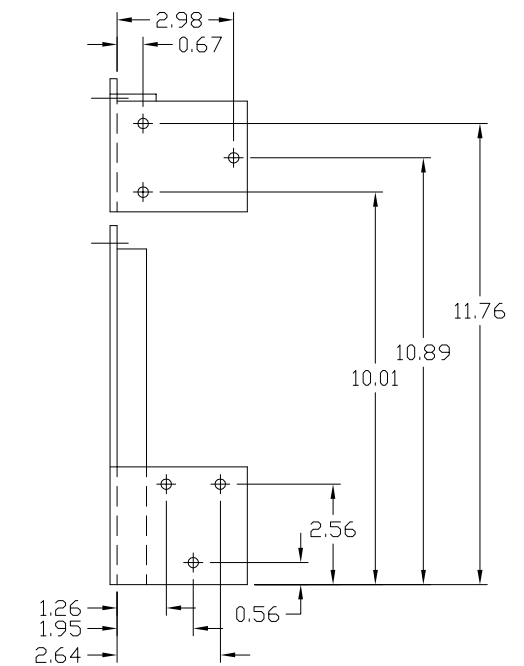
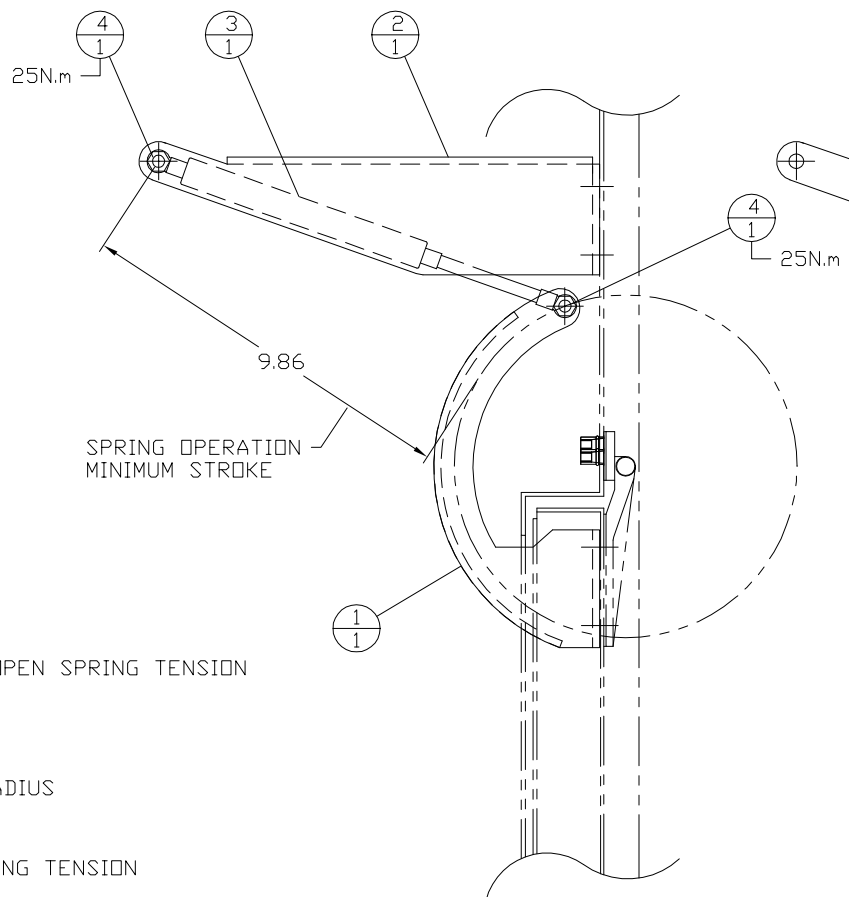
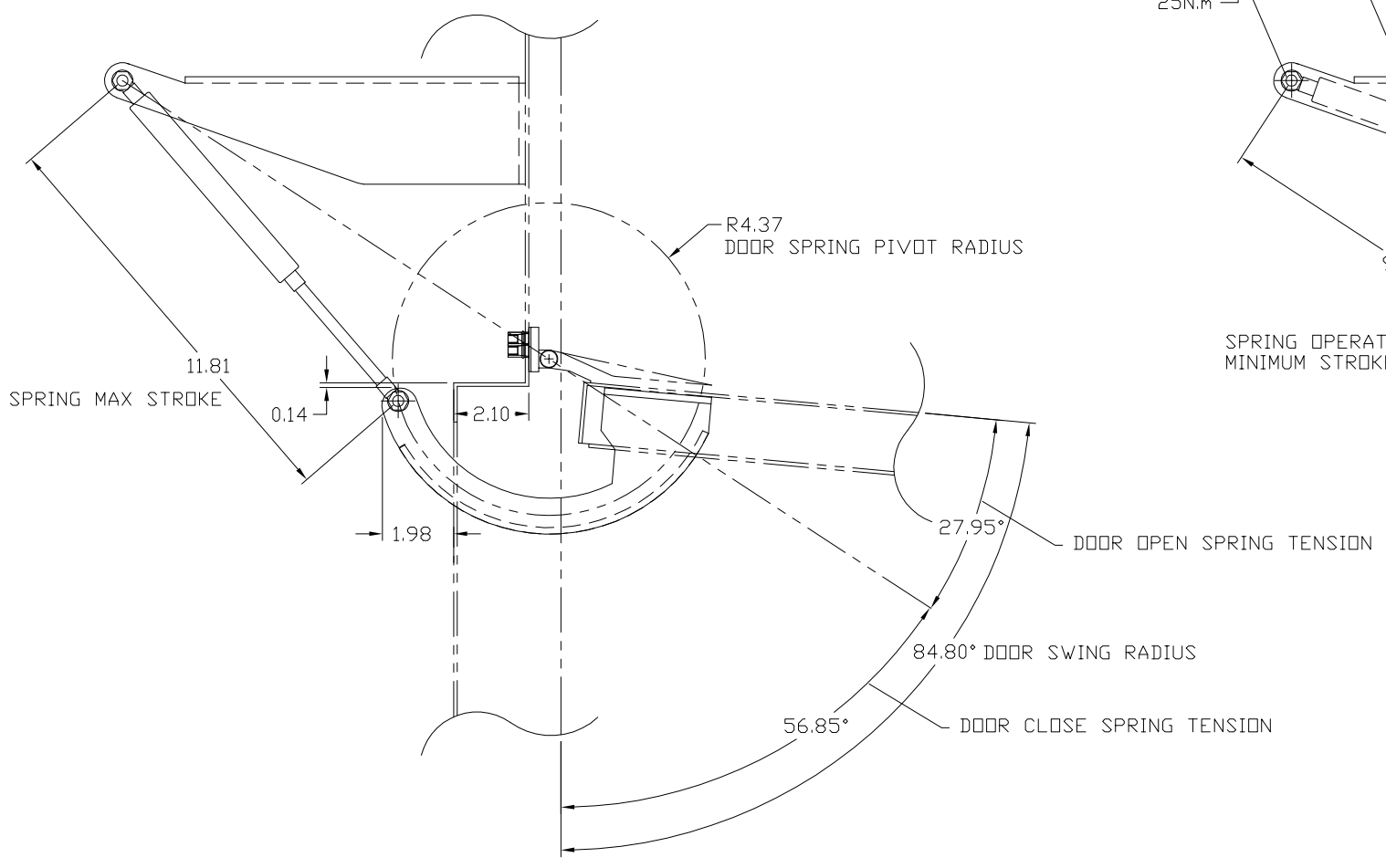
REDUCIBLE FORCE GAS SPRING  
 McMASTER-CARR P/N = 6465K3  
 EXTENDED LENGTH = 11.81"  
 COMPRESSED LENGTH = 7.87"  
 STROKE LENGTH = 3.94"  
 EXTENSION FORCE = 146 Lbs  
 NON-LOCKING



NO. OF ITEM	QTY	MEAS UNIT	CAT PART NO.	ALTORFER PART NO.	NAME
PARTS LIST					
1	1			68E427	BRACKET - SPRING
2	1			68E428	MOUNT - SPRING
3	1			6465K3	GAS SPRING
4	2		6V-8189		NUT 5/16-18



DOOR BRACKET CLEARANCE OPENING



**ALTORFER POWER SYSTEMS**  
 6315 W. FAUBER RD. BARTONVILLE, IL 61607  
 PHONE (309) 697-1234 FAX (309) 282-7546

CHANGE NOTICE	DATE BY	THIS DOCUMENT CONTAINS PROPRIETARY INFORMATION OF ALTORFER, INC. WITHOUT THE WRITTEN PERMISSION OF ALTORFER, INC., ANY COPYING OR OTHER USE EXCEPT THAT FOR WHICH IT WAS INTENDED IS PROHIBITED			
	ALL DIMENSIONS IN INCHES UNLESS OTHERWISE SPECIFIED	FILE	PROJECT REFERENCE		
	TOLERANCES: X.X ± 0.100 X.XX ± 0.060 X.XXX ± 0.005	THIRD ANGLE PROJECTION	SCALE/SHEET SIZE	DRAWN BY	QUOTE NUMBER
	ANGULAR ± 1°		SHEET	DATE	WORK ORDER NUMBER
TITLE	DOOR SPRING GROUP (ABOVE DOOR)				DRAWING NUMBER
2	1	NO.	68E429		