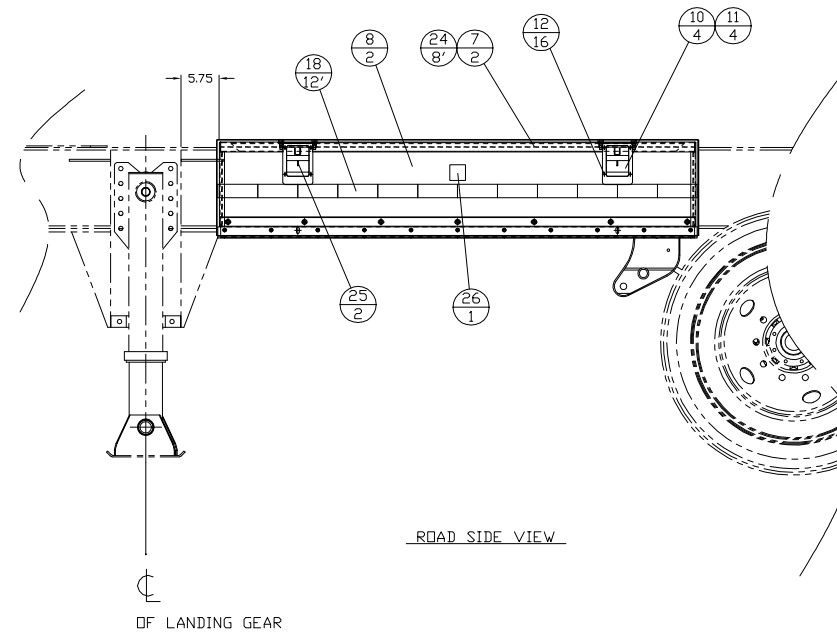
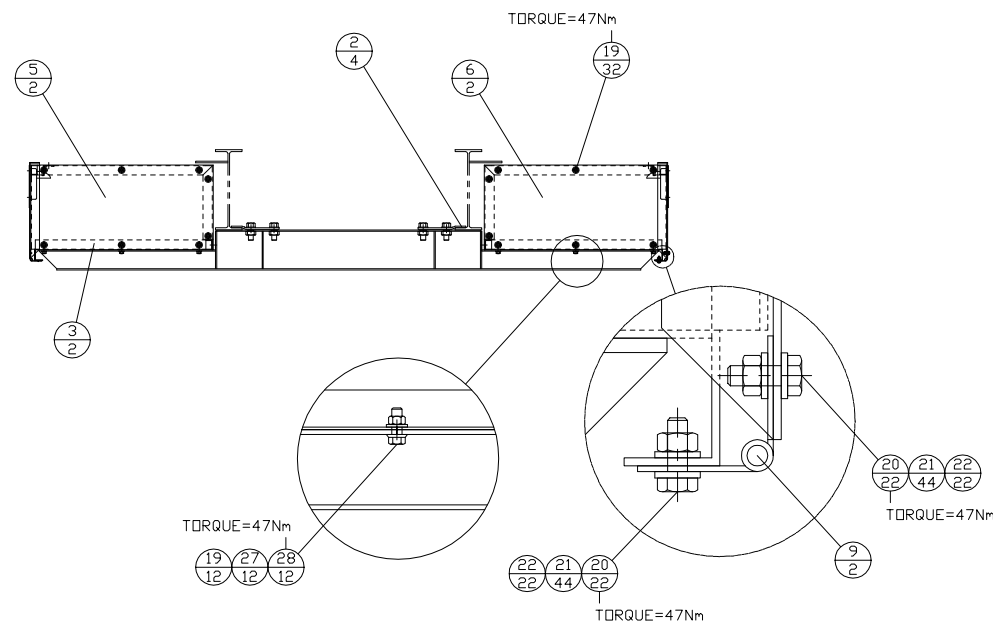
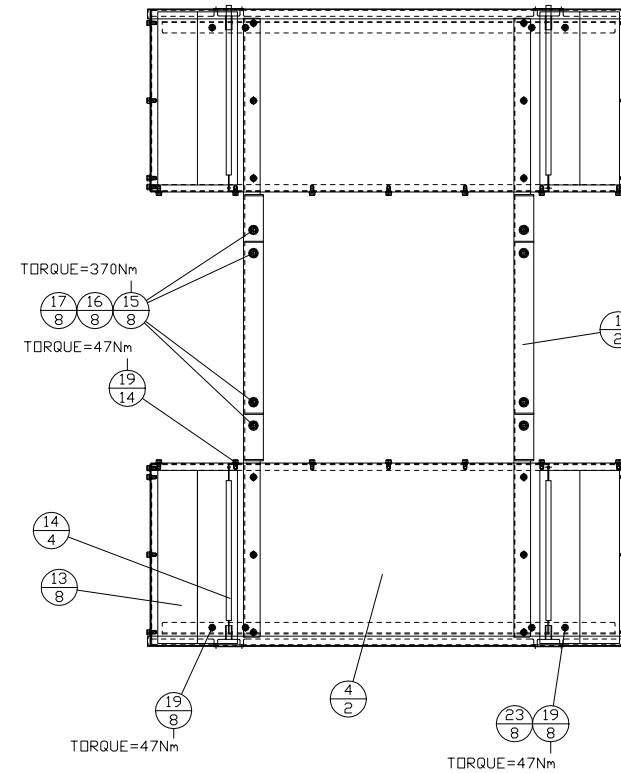


ITEM	QTY.	PART NO.	DESCRIPTION	TORQUE	WEIGHT
1	2	57F243	SUPPORT ASSEMBLY - LADDER BOX	-	46
2	4	57F244-1	CLAMP PLATE	-	1
3	2	57F245	BOTTOM - LADDER BOX	-	68
4	2	57F246	TOP - LADDER BOX	-	95
5	2	57F247	RH SIDE - LADDER BOX	-	11
6	2	57F248	LH SIDE - LADDER BOX	-	11
7	2	57F249	CATCH - LADDER BOX	-	5
8	2	57F250	DOOR - LADDER BOX	-	36
9	2	57F251-1	HINGE - LADDER BOX	-	6
10	4	12059-01	BLACK PADLOCKABLE ENCLOSE SLAM LATCH	-	-
11	4	54D150	GASKET - LATCH	-	-
12	16	6C-3679	S.S. POP RIVET - 3/16"-1/2"	-	-
13	8	57F210	POLYETHYLENE	-	-
14	4	3891T24	STRAP - TIE-DOWN	-	-
15	8	7X-0366	BOLT - 3/4"-10x2"	370Nm	-
16	8	8T-4994	FLAT WASHER - 3/4"	-	-
17	8	3B-4512	LOCK WASHER - 3/4"	-	-
18	12'	31568	CONSPICUITY TAPE	-	-
19	66	345-8531	FLANGED BOLT - 3/8"-16x1"	47Nm	-
20	44	5P-9960	S.S. BOLT - 1/4"-20x3/4"	12Nm	-
21	88	224-6797	S.S. FLAT WASHER - 1/4"	-	-
22	44	3E-9865	LOCK NUT - 1/4"-20	-	-
23	8	198-2970	FLANGED NUT - 3/8"-16	-	-
24	16'	D-2685	GASKET	-	-
25	2	5P-8501	PADLOCK	-	-
26	2	377-8375	FILM-LADDER (IDENT)	-	-
27	12	3K-6060	NUT-NYLOCK 3/8-16NC	-	-
28	12	5P-1075	WASHER-HARD	-	-

TOTAL WEIGHT = 560 lbs.



NO.	DATE	BY	DESCRIPTION
4	04/17/14	KAN	CHGB TO NYLOCK FOR MTG
3	08/04/11	B. LOHNES	ADDED HARDWARE
2	10/15/10	B. LOHNES	UPDATED TO PILOT BUILD
1	10/06/10	B. LOHNES	UPDATED TO CAT HARDWARE

<b>ALTORFER</b>		<b>ALTORFER POWER SYSTEMS</b>	
6315 W. FAUBER RD.		PHONE (309) 697-1234	
BARTONVILLE, IL 61607		FAX (309) 282-7546	
THIS DOCUMENT CONTAINS PROPRIETARY INFORMATION OF ALTORFER, INC. WITHOUT THE WRITTEN PERMISSION OF ALTORFER, INC., ANY COPYING OR OTHER USE EXCEPT THAT FOR WHICH IT WAS INTENDED IS PROHIBITED			
ALL DIMENSIONS IN INCHES UNLESS OTHERWISE SPECIFIED		FILE	PROJECT REFERENCE
TOLERANCES: X.X ± 0.100 X.XX ± 0.060 X.XXX ± 0.005		DF/57A	XQ500T4 RENTAL PACKAGE
THIRD ANGLE PROJECTION	SCALE/SHEET SIZE	DRAWN BY	QUOTE NUMBER
ANGULAR ± 1°	1=20/C	B. LOHNES	-
	SHEET	DATE	WORK ORDER NUMBER
	1 OF 1	07/26/10	-
TITLE			DRAWING NUMBER
STORAGE GROUP - LADDER BOX			57A242-04