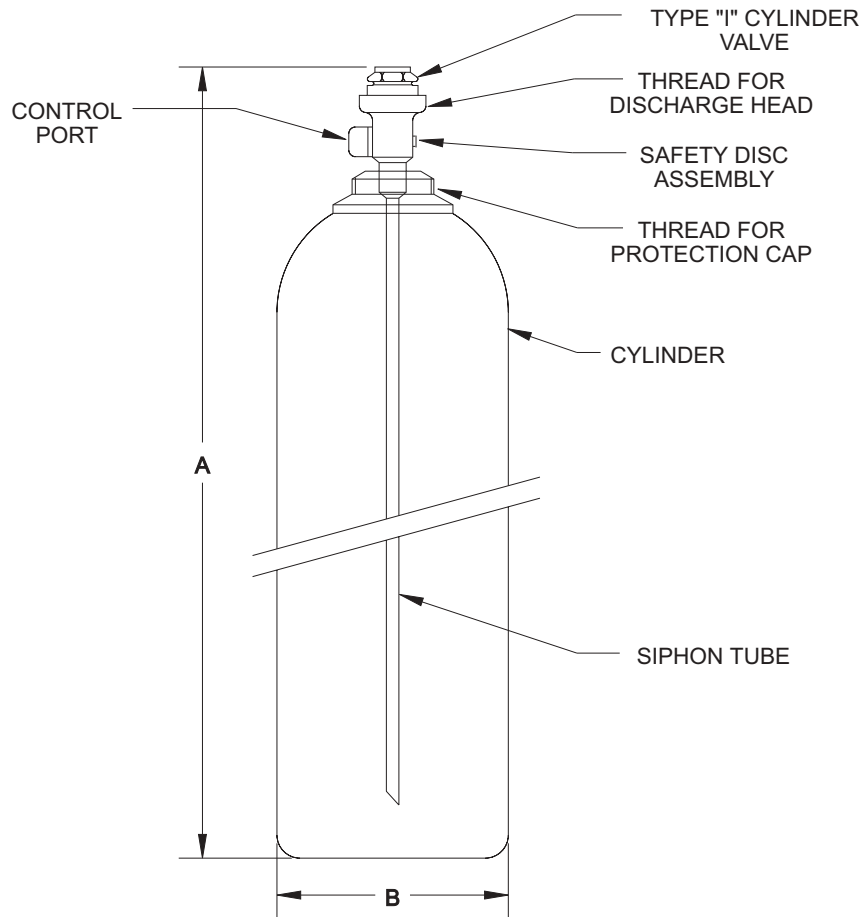


# CO<sub>2</sub> Component Description

75 lb. and 100 lb. Carbon Dioxide Cylinders

Effective: April 2002  
K-81-1010



**Pressure Ratings:**

Working Pressure = 1800 psig  
 Maximum Pressure at T = 130°F = 2250 psig  
 Hydrostatic Test Pressure = 3000 psig

**MATERIALS**

**CYLINDER: STEEL**

**VALVE: SEE K-81-1050 FOR 5/8"**

**SIPHON TUBE: ALUMINUM**

PART NUMBER	CYLINDER	VALVE TYPE	A	B
870287	75 lb.	5/8"	60.0"	9.25"
870269	100 lb.		62.0"	10.50"

**FOR ADDITIONAL DATA,  
SEE K-81-1030 FOR P/N - SEE TABLE**

This literature is provided for informational purposes only. KIDDE-FENWAL, INC. assumes no responsibility for the product's suitability for a particular application. The product must be properly applied to work correctly. If you need more information on this product, or if you have a particular problem or question, contact KIDDE-FENWAL INC., Ashland, MA 01721. Telephone: (508) 881-2000

Kidde Fire Systems  
 400 Main Street  
 Ashland, MA 01721 USA  
 Tel: (508) 881-2000  
 Fax: (508) 881-8920  
<http://www.kiddefiresystems.com>